

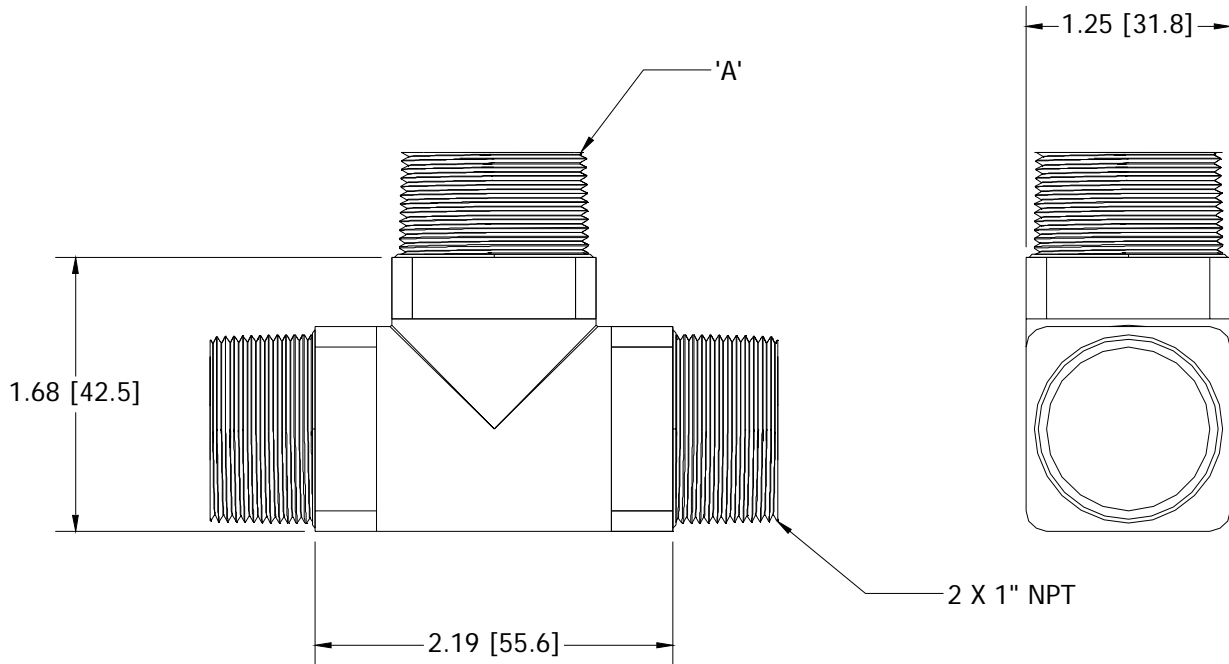


# Zurn PEX® Plastic Manifold Tee - QT\_\_TQP

## Specification Sheet

Tag \_\_\_\_\_

Dimensional Data: Inches and [mm] are subject to manufacturing tolerances and change without notice.



Part Number	Description	'A'
QT553TQP	1" x 1" x 1/2" Tee	1/2" NPT
QT555TQP	1" x 1" x 1" Tee	1" NPT

**Engineering Specification:** The Zurn PEX® Plastic Manifold Tee. Made from Acetal. The QT\_\_FQP is used to add ports to the QuickPort® manifold. Meets requirements of NSF-61.

### Accessories

- \_\_\_ **QE53TQP** 1" x 1/2" Plastic Manifold Elbow
- \_\_\_ **QE54TQP** 1" x 3/4" Plastic Manifold Elbow
- \_\_\_ **QE55TQP** 1" x 1" Plastic Manifold Elbow
- \_\_\_ **QC55FQP** 1" x 1" Plastic Manifold Coupling

Rev.	Date: 6/16/2010	C.N. No. XXXXX
Dwg. No. XXXXX		Prod. No. QT__FQP