

Product information presented here reflects conditions at time of publication. Consult factory regarding discrepancies or inconsistencies.

MAIL TO: P.O. BOX 16347 • Louisville, KY 40256-0347
 SHIP TO: 3649 Cane Run Road • Louisville, KY 40211-1961
 (502) 778-2731 • 1 (800) 928-PUMP • FAX (502) 774-3624

Visit our website:
zoellerengineered.com

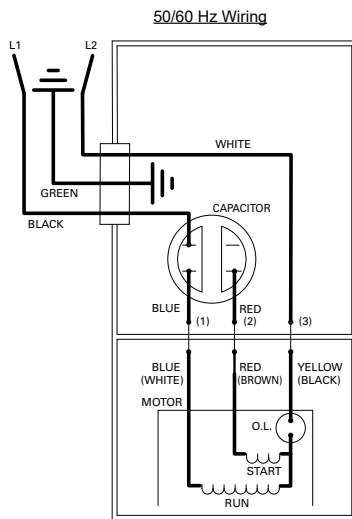
REPLACEMENT PARTS LIST FOR GRINDER MODELS:

- E7021 NONAUTOMATIC 230V 1PH 60 HZ
- I7021 NONAUTOMATIC 200V 1PH 60 HZ
- RE7021 NONAUTOMATIC/MANUAL RUN 230V 1PH 60 HZ
- RI7021 NONAUTOMATIC / MANUAL RUN 200V 1PH 60 HZ
- RWD7021 AUTOMATIC/MANUAL RUN W/ WIRED FLOAT SWITCH 230V 1PH 60 HZ
- RWH7021 AUTOMATIC / MANUAL RUN W/WIRED FLOAT SWITCH 200V 1PH 60 HZ
- Z7021 NONAUTOMATIC 230V 1PH 50 HZ
- RWY7021 AUTOMATIC/MANUAL RUN W/WIRED FLOAT SWITCH 230V 1PH 50HZ

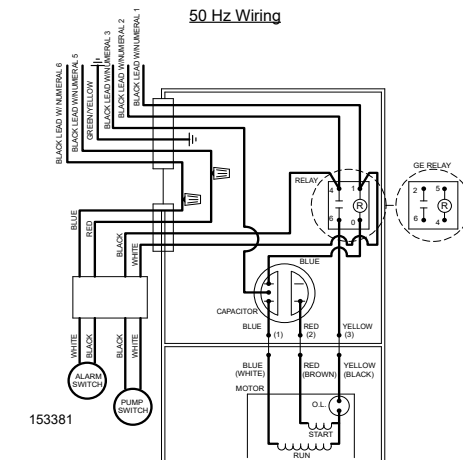
Consult factory for all other models.

TO ORDER REPLACEMENT PARTS
 PLEASE FURNISH THE FOLLOWING INFORMATION:

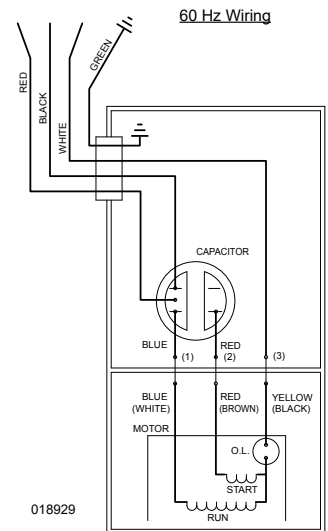
- Model number
- Part number of pump
- Part number and description of part



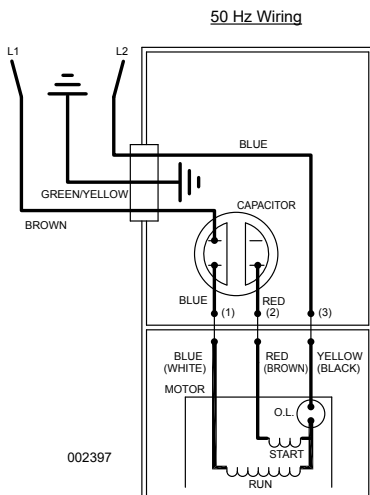
WIRING DIAGRAM FOR MODELS "E7021", "I7021" & "Z7021" All Revisions 03/11 thru Current



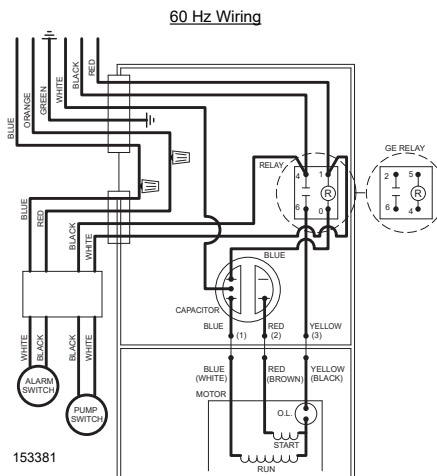
NOTES:
 1) INSULATORS REQUIRED ON GE RELAY TERMINALS 2 & 5; OMRON RELAY TERMINALS 1 & 4.
 WIRING DIAGRAM FOR MODEL "RWY7021" All revisions thru Current



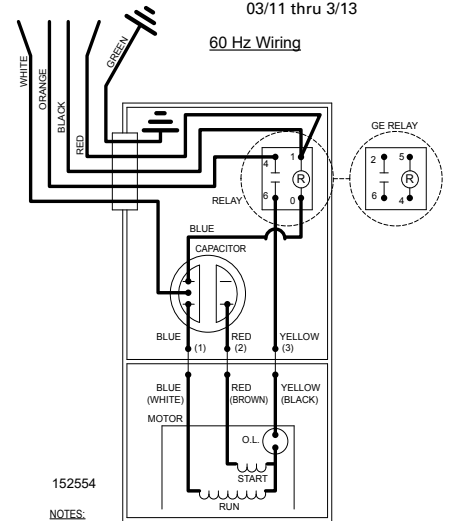
WIRING DIAGRAM FOR MODELS "E7021" All Revisions Manual Run Option 03/11 thru 3/13



WIRING DIAGRAM FOR MODELS "Z7021" All Revisions 03/14 thru Current



NOTES:
 1) INSULATORS REQUIRED ON GE RELAY TERMINALS 2 & 5; OMRON RELAY TERMINALS 1 & 4.
 WIRING DIAGRAM FOR MODEL "RWD7021" & "RWH7021" All revisions thru Current



NOTES:
 1) INSULATORS REQUIRED ON GE RELAY TERMINALS 2 & 5; OMRON RELAY TERMINALS 1 & 4.
 WIRING DIAGRAM FOR MODELS "RE7021" "RI7021" All Revisions 3/13 thru Current

REPLACEMENT PARTS LIST FOR MODEL "E7021", "I7021"

See page 7 for illustration.

REF NO.	DESCRIPTION	QTY	NOTES	MODELS:		
				E7021-A	E7021-B	I7021-A
				3/11 thru 5/16	6/16 thru Current	4/20 thru Current
1	• HANDLE	1		217069	217069	217069
2	COVER & CORD (CORD - 20' (6 M) LENGTH SOW 15A PLUG)	1	2	151485	151485	N/A
	COVER & CORD (CORD - 20' (6 M) LENGTH SOW NO PLUG)			N/A	N/A	153104
3	CORD, TERM & SEAL ASM (CORD - 20' (6 M) LENGTH SOW 15A PLUG)			151487	151487	N/A
	CORD, TERM & SEAL ASM (CORD - 20' (6 M) LENGTH SOW NO PLUG)			N/A	N/A	153105
4	• SEAL, CORD-ASM & STRAIN RELIEF	1	2	094043	094043	094043
5	COVER-MACH. (CORD, SOW)	1		001077	001077	001077
	COVER-MACH. (CORD, H07RN-F3G1.5/CE)			N/A	N/A	N/A
6	• GASKET, CASE/COVER	1	7	012649	012649	012649
7	• WIRE PKG.	1	7	011092	011092	011092
8	CAPACITOR & CLAMP ASM	1	7	010666	010666	010666
9	• PLUG, TEST	2	6,7	015023	015023	015023
10	• SEAL, THRU WALL TERM	3	7	003402	003402	003402
11	HOUSING, MOTOR & STATOR	1	1	018909	018909	150961
12	• SPRING, BEARING PRELOAD	1		017192	017192	017192
13	• BEARING, UPPER 6201	1		006703	006703	006703
14	ROTOR & BEARING ASM	1		018911	018911	018911
15	• KEY	1		017893	017893	017893
16	• BEARING, LOWER 6204	1		012544	012544	012544
17	• SEAL, MOTOR HOUSING	1		012648	012648	012648
18	• OIL, DIELECTRIC-(57 OZ CAN)	1	6	009051	009051	009051
19	ADAPTER-MACH.	1		017891	017891	017891
20	• SEAL, SHAFT	1	6	155723	155723	155723
21	• WASHER, SEAL LOCATING & SNAP RING	1	6	018913	018913	018913
22	ROTOR, PUMP-HYDRAULIC & PIN	1	6	018915	018915	018915
23	• PIN	1		018892	018892	018892
24	• SEAL, PUMP HOUSING	1	6	151078	151078	151078
25	HOUSING, PUMP-MACH. & PRESS. RLF VALVE	1		019551	019551	019551
26	LEG, WIREFORM	1		151920	151920	151920
27	VALVE, PRESSURE RELIEF	1	6	018433	018433	018433
28	STATOR, HYDRAULIC	1	6	151617	151617	151617
29	• INSERT, STATOR SS	6	6	018369	018369	018369
30	CUTTER & DISC ASM 810/815	1		018918	154184	154184
31	SHIM SET	1		012632	012632	012632
32	CLAMP, STRAIN RELIEF (CORD, SOW)	1		001770	001770	001770
	CLAMP, STRAIN RELIEF (CORD, H07RN-F3G1.5)	1		N/A	N/A	N/A
33	• SCREW, .25-20 X .75 HHM-SS	4	7	001916	001916	001916
34	• SCREW, #6-32 X .25 RHM SL TC STLGR	3		001877	001877	001877
35	• SCREW, 25-20 X 1 HHM-SS	4		007790	007790	007790
36	• SCREW, .313-18 X 2 HH CAP FULL THREAD/SS	4	6	018186	018186	018186
37	• WASHER, FLAT-SS .313	4	6	015914	015914	015914
38	• NUT, .313-18 H-SS	4	6	001813	001813	001813
39	• WASHER, RETAINING SS	1		008533	008533	008533
40	• SCREW, 25-20 X .75 HH SS (NYLOCK)	1		009545	009545	009545
41	• WASHER, FLAT-SS .25	6	5	004480	N/A	N/A
42	• SCREW, 25-20 X .875 (1.125 LENGTH FOR PLATE W/O RECESS)	6	6	018387	153205	153205
43	DISC, CUTTER	1		010407	153203	153203
44	CUTTER/SHIM ASM/3 BLADE	1		019695	154185	154185
45	RELAY	0		N/A	N/A	N/A
46	INSULATION - INSULATOR	0		N/A	N/A	N/A
47	SWITCH, FLTS - TERM & SEAL	0		N/A	N/A	N/A
48	• SEAL, CORD - FLT SWITCH	0		N/A	N/A	N/A
49	• CONNECTOR WIRENUT	0		N/A	N/A	N/A
□	REBUILD KIT			151488	151488	151488
□	WET END REBUILD KIT			N/A	156476	156476
□	CAPACITOR REPLACEMENT KIT			156480	156480	156480

NOTES:

- 1) Motor housing, stator & term. (Item 11) is preassembled at the factory and must be replaced as a unit. Stator is permanently attached to the motor housing. Plug (Item 9) and seal, thru wall term. (Item 10) are replaceable.
- 2) If an "X" follows model No., or date mfg. on brass ID tag, consult factory for ordering of this part.
- 3) See FM0160 Parts Price Sheet for listing of parts prices.
- 5) Flat washers required for plate without recess.
- 6) This item included in Wet End Rebuild Kit.
- 7) This item included in Capacitor Replacement Kit.

• Items included in Rebuild Kit.

□ Not Shown in Illustration.

REPLACEMENT PARTS LIST FOR MODEL "Z7021"

See page 7 for illustration.

REF NO.	DESCRIPTION	QTY	NOTES	MODELS:	
				Z7021-A	Z7021-B
				3/14 thru 5/16	6/16 thru Current
1	• HANDLE	1		217069	217069
2	COVER & CORD (CORD - 20' (6 M) LENGTH SOW 15A PLUG)	1	2	N/A	N/A
	COVER & CORD (CORD - 20' (6 M) LENGTH SOW NO PLUG)			153104	153104
	COVER & CORD (CORD 33' (10 M) LENGTH H07RN-F3G1.5 NO PLUG/CE)			153102	153102
3	CORD, TERM & SEAL ASM (CORD - 20' (6 M) LENGTH SOW 15A PLUG)	1	2	N/A	N/A
	CORD, TERM & SEAL ASM (CORD - 20' (6 M) LENGTH SOW NO PLUG)			153105	153105
	CORD, TERM & SEAL ASM (CORD 33' (10 M) LENGTH H07RN-F3G1.5 NO PLUG)			153107	153107
4	• SEAL, CORD-ASM & STRAIN RELIEF	1	2	094043	094043
5	COVER-MACH. (CORD, SOW)	1		001077	001077
	COVER-MACH. (CORD, H07RN-F3G1.5/CE)			152044	152044
6	• GASKET, CASE/COVER	1	7	012649	012649
7	• WIRE PKG.	1	7	011092	011092
8	CAPACITOR & CLAMP ASM	1	7	010666	010666
9	• PLUG, TEST	2	6,7	015023	015023
10	• SEAL, THRU WALL TERM	3	7	003402	003402
11	HOUSING, MOTOR & STATOR	1	1	153108	153108
12	• SPRING, BEARING PRELOAD	1		017192	017192
13	• BEARING, UPPER 6201	1		006703	006703
14	ROTOR & BEARING ASM	1		018911	018911
15	• KEY	1		017893	017893
16	• BEARING, LOWER 6204	1		012544	012544
17	• SEAL, MOTOR HOUSING	1		012648	012648
18	• OIL, DIELECTRIC-(57 OZ CAN)	1	6	009051	009051
19	ADAPTER-MACH.	1		017891	017891
20	• SEAL, SHAFT	1	6	155723	155723
21	• WASHER, SEAL LOCATING & SNAP RING	1	6	018913	018913
22	ROTOR, PUMP-HYDRAULIC & PIN	1	6	018915	018915
23	• PIN	1		018892	018892
24	• SEAL, PUMP HOUSING	1	6	151078	151078
25	HOUSING, PUMP-MACH. & PRESS. RLF VALVE	1		019551	019551
26	LEG, WIREFORM	1		151920	151920
27	VALVE, PRESSURE RELIEF	1	6	018433	018433
28	STATOR, HYDRAULIC	1	6	151617	151617
29	• INSERT, STATOR SS	6	6	018369	018369
30	CUTTER & DISC ASM 810/815	1		018918	154184
31	SHIM SET	1		012632	012632
32	CLAMP, STRAIN RELIEF (CORD, SOW)	1		001770	001770
	CLAMP, STRAIN RELIEF (CORD, H07RN-F3G1.5)	1		152191	152191
33	• SCREW, .25-20 X .75 HHM-SS	4	7	001916	001916
34	• SCREW, #6-32 X .25 RHM SL TC STLGR	3		001877	001877
35	• SCREW, .25-20 X 1 HHM-SS	4		007790	007790
36	• SCREW, .313-18 X 2 HH CAP FULL THREAD/SS	4	6	018186	018186
37	• WASHER, FLAT-SS .313	4	6	015914	015914
38	• NUT, .313-18 H-SS	4	6	001813	001813
39	• WASHER, RETAINING SS	1		008533	008533
40	• SCREW, .25-20 X .75 HH SS (NYLOCK)	1		009545	009545
41	• WASHER, FLAT-SS .25	6	5	004480	N/A
42	• SCREW, .25-20 X .875 (1.125 LENGTH FOR PLATE W/O RECESS)	6	6	018387	153205
43	DISC, CUTTER	1		010407	153203
44	CUTTER/SHIM ASM/3 BLADE	1		019695	154185
45	RELAY	0		N/A	N/A
46	INSULATION - INSULATOR	0		N/A	N/A
47	SWITCH, FLTS - TERM & SEAL	0		N/A	N/A
48	• SEAL, CORD - FLT SWITCH	0		N/A	N/A
49	• CONNECTOR WIRENUT	0		N/A	N/A
□	REBUILD KIT			151488	151488
□	WET END REBUILD KIT			N/A	156476
□	CAPACITOR REPLACEMENT KIT			156480	156480

NOTES:

- 1) Motor housing, stator & term. (Item 11) is preassembled at the factory and must be replaced as a unit. Stator is permanently attached to the motor housing. Plug (Item 9) and seal, thru wall term. (Item 10) are replaceable.
- 2) If an "X" follows model No., or date Mfg. on brass ID tag, consult factory for ordering of this part.
- 3) See FM0160 Parts Price Sheet for listing of parts prices.
- 5) Flat washers required for plate without recess.
- 6) This item included in Wet End Rebuild Kit.
- 7) This item included in Capacitor Replacement Kit.

• Items included in Rebuild Kit.

□ Not shown in illustration.

REPLACEMENT PARTS LIST FOR MODEL "E7021" MANUAL RUN OPTION

See page 7 for illustration.

		MODELS:		E7021-A
REF NO.	DESCRIPTION	QTY	NOTES	3/11 thru 3/13
1	• HANDLE	1		217069
2	COVER & CORD	1	2	151489
3	CORD, TERM & SEAL ASM	1	2	151490
4	• SEAL, CORD-ASM & STRAIN RELIEF	1	2	094043
5	COVER-MACH.	1		001077
6	• GASKET, CASE/COVER	1	7	012649
7	• WIRE PKG.	1	7	011092
8	CAPACITOR & CLAMP ASM	1	7	010666
9	• PLUG, TEST	2	7	015023
10	• SEAL, THRU WALL TERM	3	7	003402
11	HOUSING, MOTOR & STATOR	1	1	018909
12	• SPRING, BEARING PRELOAD	1		017192
13	• BEARING, UPPER 6201	1		006703
14	ROTOR & BEARING ASM	1		018911
15	• KEY	1		017893
16	• BEARING, LOWER 6204	1		012544
17	• SEAL, MOTOR HOUSING	1		012648
18	• OIL, DIELECTRIC-(57 OZ CAN)	1		009051
19	ADAPTER-MACH.	1		017891
20	• SEAL, SHAFT	1		155723
21	• WASHER, SEAL LOCATING & SNAP RING	1		018913
22	ROTOR, PUMP-HYDRAULIC & PIN	1		018915
23	• PIN	1		018892
24	• SEAL, PUMP HOUSING	1		151078
25	HOUSING, PUMP-MACH. & PRESS. RLF VALVE	1		019551
26	LEG, WIREFORM	1		151920
27	VALVE, PRESSURE RELIEF	1		018433
28	STATOR, HYDRAULIC	1		151617
29	• INSERT, STATOR SS	6		018369
30	CUTTER & DISC ASM 810/815	1		018918
31	SHIM SET	1		012632
32	CLAMP, STRAIN RELIEF-RED	1		001770
33	• SCREW, .25-20 X .75 HHM-SS	4	7	001916
34	• SCREW, #6-32 X .25 RHM SL TC STLGR	5		001877
35	• SCREW, .25-20 X 1 HHM-SS	4		007790
36	• SCREW, .313-18 X 2 HH CAP FULL THREAD/SS	4		018186
37	• WASHER, FLAT-SS .313	4		015914
38	• NUT, .313-18 H-SS	4		001813
39	• WASHER, RETAINING SS	1		008533
40	• SCREW, .25-20 X .75 HH SS (NYLOCK)	1		009545
41	• WASHER, FLAT-SS .25	6	5	004480
42	• SCREW, .25-20 X 1.125	6		018387
43	DISC, CUTTER	1		010407
44	CUTTER/SHIM ASM/3 BLADE	1		019695
45	RELAY	1		N/A
46	INSULATION - INSULATOR	4		N/A
47	SWITCH, FLTS - TERM & SEAL	1		N/A
48	• SEAL, CORD - FLT SWITCH	1		N/A
49	• CONNECTOR WIRENUT	2		N/A
□	REBUILD KIT			151488
□	WET END REBUILD KIT			N/A
□	CAPACITOR REPLACEMENT KIT			156480

• Items included in Rebuild Kit.

□ Not shown in illustration.

NOTES:

- 1) Motor housing, stator & term. (Item 11) is preassembled at the factory and must be replaced as a unit. Stator is permanently attached to the motor housing. Plug (Item 9) and seal, thru wall term. (Item 10) are replaceable.
- 2) If an "X" follows model No., or date mfg. on brass ID tag, consult factory for ordering of this part.
- 3) See FM0160 Parts Price Sheet for listing of parts prices.
- 4) "N/A" indicates, not applicable.
- 5) Flat washers required for plate without recess.
- 6) This item included in Wet End Rebuild Kit.
- 7) This item included in Capacitor Replacement Kit.

REPLACEMENT PARTS LIST FOR MODEL "RE7021" MANUAL RUN OPTION

See page 7 for illustration.

REF NO.	DESCRIPTION	QTY	NOTES	MODELS:			
				RE7021-A	RE7021-B	RE7021-C	R17021-A
				3/13 thru 1/16	2/16 thru 5/16	6/16 thru Current	04/20 thru Current
1	• HANDLE	1		217069	217069	217069	217069
2	COVER & CORD	1	2	152558	152558	152558	152558
3	CORD, TERM & SEAL ASM	1	2	152533	152533	152533	152533
4	• SEAL, CORD-ASM & STRAIN RELIEF	1	2	015634	015634	015634	015634
5	COVER-MACH.	1		014150	014150	014150	014150
6	• GASKET, CASE/COVER	1	7	012649	012649	012649	012649
7	• WIRE PKG.	1	7	004751	004751	004751	004751
8	CAPACITOR & CLAMP ASM	1	7	010666	010666	010666	010666
9	• PLUG, TEST	2	6,7	015023	015023	015023	015023
10	• SEAL, THRU WALL TERM	3	7	003402	003402	003402	003402
11	HOUSING, MOTOR & STATOR	1	1	018909	018909	018909	150961
12	• SPRING, BEARING PRELOAD	1		017192	017192	017192	017192
13	• BEARING, UPPER 6201	1		006703	006703	006703	006703
14	ROTOR & BEARING ASM	1		018911	018911	018911	018911
15	• KEY	1		017893	017893	017893	017893
16	• BEARING, LOWER 6204	1		012544	012544	012544	012544
17	• SEAL, MOTOR HOUSING	1		012648	012648	012648	012648
18	• OIL, DIELECTRIC (57 OZ CAN)	1	6	009051	009051	009051	009051
19	ADAPTER-MACH.	1		017891	017891	017891	017891
20	• SEAL, SHAFT	1	6	155723	155723	155723	155723
21	• WASHER, SEAL LOCATING & SNAP RING	1	6	018913	018913	018913	018913
22	ROTOR, PUMP-HYDRAULIC & PIN	1	6	018915	018915	018915	018915
23	• PIN	1		018892	018892	018892	018892
24	• SEAL, PUMP HOUSING	1	6	151078	151078	151078	151078
25	HOUSING, PUMP-MACH. & PRESS. RLF VALVE	1		019551	019551	019551	019551
26	LEG, WIREFORM	1		151920	151920	151920	151920
27	VALVE, PRESSURE RELIEF	1	6	018433	018433	018433	018433
28	STATOR, HYDRAULIC	1	6	151617	151617	151617	151617
29	• INSERT, STATOR SS	6	6	018369	018369	018369	018369
30	CUTTER & DISC ASM 810/815	1		018918	018918	154184	154184
31	SHIM SET	1		012632	012632	012632	012632
32	CLAMP, STRAIN RELIEF-RED	1		013765	013765	013765	013765
33	• SCREW, .25-20 X .75 HHM-SS	4	7	001916	001916	001916	001916
34	• SCREW, #6-32 X .25 RHM SL TC STLGR	5		001877	001877	001877	001877
35	• SCREW, .25-20 X 1 HHM-SS	4		007790	007790	007790	007790
36	• SCREW, .313-18 X 2 HH CAP FULL THREAD/SS	4	6	018186	018186	018186	018186
37	• WASHER, FLAT-SS .313	4	6	015914	015914	015914	015914
38	• NUT, .313-18 H-SS	4	6	001813	001813	001813	001813
39	• WASHER, RETAINING SS	1		008533	008533	008533	008533
40	• SCREW, .25-20 X .75 HH SS (NYLOCK)	1		009545	009545	009545	009545
41	• WASHER, FLAT-SS .25	6	5	004480	004480	N/A	N/A
42	• SCREW, .25-20 X .875 (1.125 LENGTH FOR PLATE W/O RECESS)	6	6	018387	018387	153205	153205
43	DISC, CUTTER	1		010407	010407	153203	153203
44	CUTTER/SHIM ASM/3 BLADE	1		019695	019695	154185	154185
45	RELAY	1	7	217093	153833	153833	153833
46	INSULATION - INSULATOR	4	7	001797	001797	001797	001797
47	SWITCH, FLTS - TERM & SEAL	1		N/A	N/A	N/A	N/A
48	• SEAL, CORD - FLT SWITCH	1		N/A	N/A	N/A	N/A
49	• CONNECTOR WIRENUT	2		N/A	N/A	N/A	N/A
□	REBUILD KIT			152751	152751	152751	152751
□	WET END REBUILD KIT			N/A	N/A	156476	156476
□	CAPACITOR REPLACEMENT KIT			N/A	156481	156481	156481

- Items included in Rebuild Kit.
- Not shown in illustration.

NOTES:

- 1) Motor housing, stator & term. (Item 11) is preassembled at the factory and must be replaced as a unit. Stator is permanently attached to the motor housing. Plug (Item 9) and Seal, thru wall term. (Item 10) are replaceable.
- 2) If an "X" follows model No., or date mfg. on brass ID tag, consult factory for ordering of this part.
- 3) See FM0160 Parts Price Sheet for listing of parts prices.
- 4) "N/A" indicates, not applicable.
- 5) Flat washers required for plate without recess.
- 6) This item included in Wet End Rebuild Kit.
- 7) This item included in Capacitor Replacement Kit.

REPLACEMENT PARTS LIST FOR MODEL "RWD7021" MANUAL RUN OPTION

See page 7 for illustration.

REF NO.	DESCRIPTION	QTY	NOTES	MODELS:				
				RWD7021-A	RWD7021-B	RWD7021-C	RWH7021-A	RWY7021-A
				3/15 thru 1/16	2/16 thru 5/16	6/16 thru Current	04/20 Thru Current	06/21 Thru Current
1	• HANDLE	1		217069	217069	217069	217069	217069
2	COVER & CORD	1	2	153382	153382	153382	153382	157503
3	CORD, TERM & SEAL ASM	1	2	153386	153386	153386	153386	157504
4	• SEAL, CORD-ASM & STRAIN RELIEF	1	2	015634	015634	015634	015634	015634
5	COVER-MACH.	1		014152	014152	014152	014152	014152
6	• GASKET, CASE/COVER	1	7	012649	012649	012649	012649	012649
7	• WIRE PKG.	1	7	004751	004751	004751	004751	004751
8	CAPACITOR & CLAMP ASM	1	7	010666	010666	010666	010666	010666
9	• PLUG, TEST	2	6,7	015023	015023	015023	015023	015023
10	• SEAL, THRU WALL TERM	3	7	003402	003402	003402	003402	003402
11	HOUSING, MOTOR & STATOR	1	1	018909	018909	018909	150961	153108
12	• SPRING, BEARING PRELOAD	1		017192	017192	017192	017192	017192
13	• BEARING, UPPER 6201	1		006703	006703	006703	006703	006703
14	ROTOR & BEARING ASM	1		018911	018911	018911	018911	018911
15	• KEY	1		017893	017893	017893	017893	017893
16	• BEARING, LOWER 6204	1		012544	012544	012544	012544	012544
17	• SEAL, MOTOR HOUSING	1		012648	012648	012648	012648	012648
18	• OIL, DIELECTRIC -(57 OZ CAN)	1	6	009051	009051	009051	009051	009051
19	ADAPTER-MACH.	1		017891	017891	017891	017891	017891
20	• SEAL, SHAFT	1	6	155723	155723	155723	155723	155723
21	• WASHER, SEAL LOCATING & SNAP RING	1	6	018913	018913	018913	018913	018913
22	ROTOR, PUMP-HYDRAULIC & PIN	1	6	018915	018915	018915	018915	018915
23	• PIN	1		018892	018892	018892	018892	018892
24	• SEAL, PUMP HOUSING	1	6	151078	151078	151078	151078	151078
25	HOUSING, PUMP-MACH. & PRESS. RLF VALVE	1		019551	019551	019551	019551	019551
26	LEG, WIREFORM	1		151920	151920	151920	151920	151920
27	VALVE, PRESSURE RELIEF	1	6	018433	018433	018433	018433	018433
28	STATOR, HYDRAULIC	1	6	151617	151617	151617	151617	151617
29	• INSERT, STATOR SS	6	6	018369	018369	018369	018369	018369
30	CUTTER & DISC ASM 810/815	1		018918	018918	154184	154184	154184
31	SHIM SET	1		012632	012632	012632	012632	012632
32	CLAMP, STRAIN RELIEF-RED	1		013765	013765	013765	013765	013765
33	• SCREW, .25-20 X .75 HHM-SS	4	7	001916	001916	001916	001916	001916
34	• SCREW, #6-32 X .25 RHM SL TC STLGR	5		001877	001877	001877	001877	001877
35	• SCREW, .25-20 X 1 HHM-SS	4		007790	007790	007790	007790	007790
36	• SCREW, .313-18 X 2 HH CAP FULL THREAD/SS	4	6	018186	018186	018186	018186	018186
37	• WASHER, FLAT-SS .313	4	6	015914	015914	015914	015914	015914
38	• NUT, .313-18 H-SS	4	6	001813	001813	001813	001813	001813
39	• WASHER, RETAINING SS	1		008533	008533	008533	008533	008533
40	• SCREW, .25-20 X .75 HH SS (NYLOCK)	1		009545	009545	009545	009545	009545
41	• WASHER, FLAT-SS .25	6	5	004480	004480	N/A	N/A	N/A
42	• SCREW, .25-20 X .875 (1.125 LENGTH FOR PLATE W/O RECESS)	6	6	018387	018387	153205	153205	153205
43	DISC, CUTTER	1		010407	010407	153203	153203	153203
44	CUTTER/SHIM ASM/3 BLADE	1		019695	019695	154185	154185	154185
45	RELAY	1	7	217093	153833	153833	153833	153833
46	INSULATION - INSULATOR	4	7	001797	001797	001797	001797	001797
47	SWITCH, FLTS - TERM & SEAL	1	7	153383	153383	153383	153383	153383
48	• SEAL, CORD - FLT SWITCH	1	7	094043	094043	094043	094043	094043
49	• CONNECTOR WIRENUT	2	7	003753	003753	003753	003753	003753
□	REBUILD KIT			152751	152751	152751	152751	152751
□	WET END REBUILD KIT			N/A	N/A	156476	156476	156476
□	CAPACITOR REPLACEMENT KIT			N/A	156482	156482	156482	156482

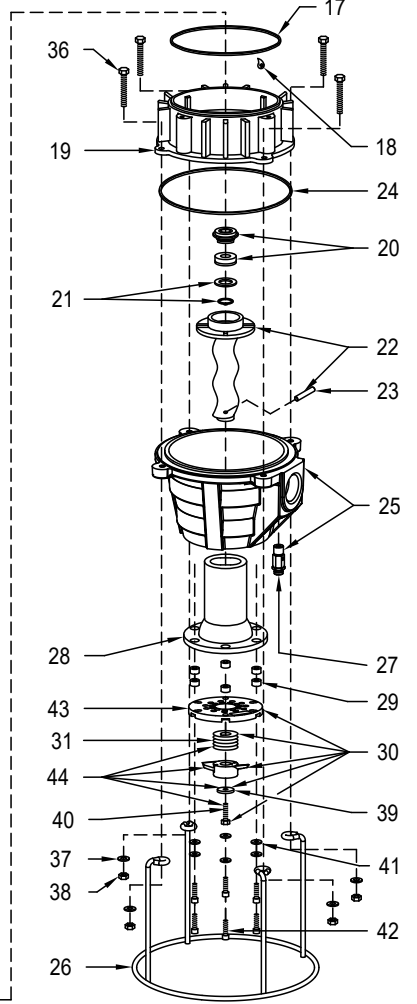
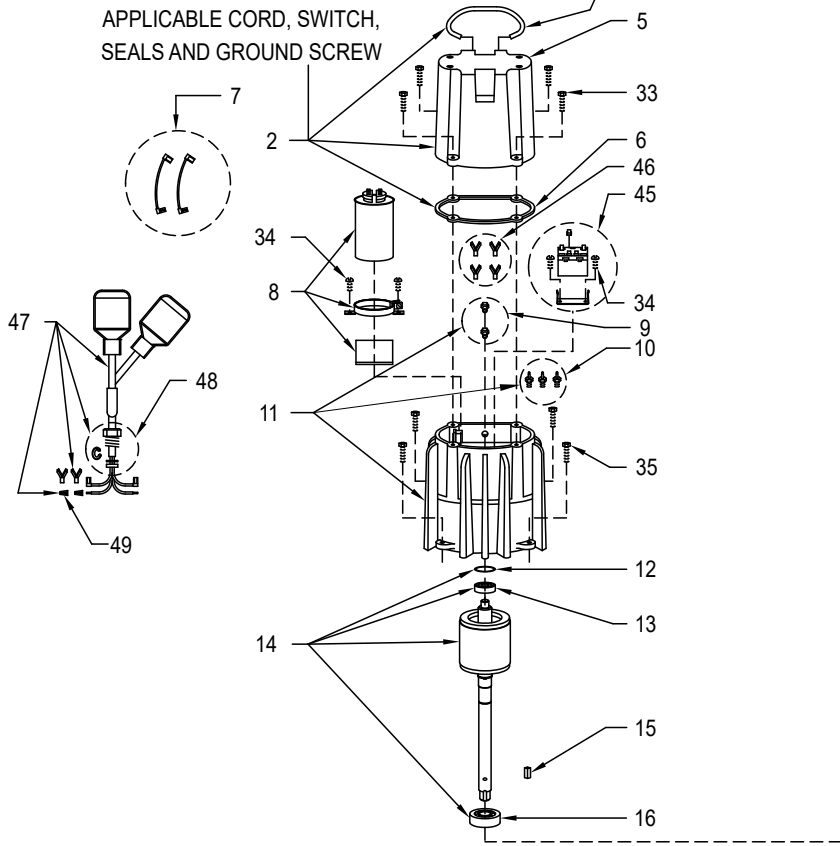
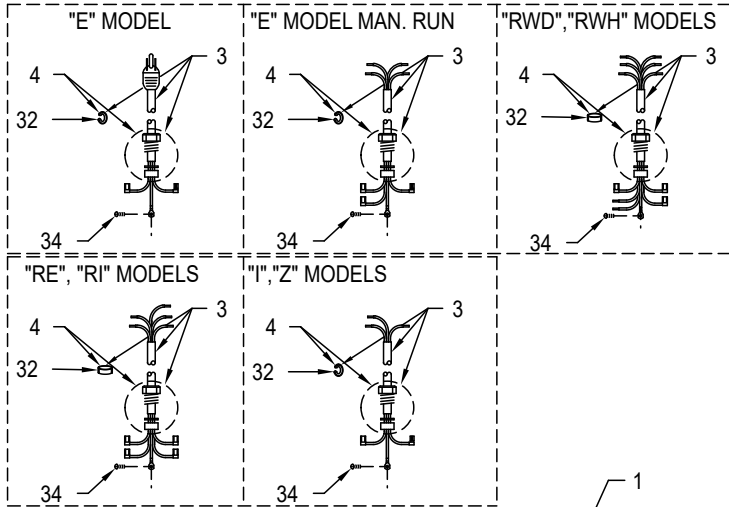
• Items included in Rebuild Kit.

□ Not shown in illustration.

NOTES:

- 1) Motor housing, stator & term. (Item 11) is preassembled at the factory and must be replaced as a unit. Stator is permanently attached to the motor housing. Plug (Item 9) and seal, thru wall term. (Item 10) are replaceable.
- 2) If an "X" follows model No., or date mfg. on brass ID tag, consult factory for ordering of this part.
- 3) See FM0160 Parts Price Sheet for listing of parts prices.
- 4) "N/A" indicates, not applicable.
- 5) Flat washers required for plate without recess.
- 6) This item included in Wet End Rebuild Kit.
- 7) This item included in Capacitor Replacement Kit.

REPLACEMENT PARTS ILLUSTRATION FOR 7021 - ALL MODELS



SK2653

NOTES



MAIL TO: P.O. BOX 16347 • Louisville, KY 40256-0347 USA
SHIP TO: 3649 Cane Run Road • Louisville, KY 40211-1961 USA
+1 (502) 778-2731 • FAX +1 (502) 774-3624

Trusted. Tested. Tough.®

visit our web site:
zoellerengineered.com