

Product information presented here reflects conditions at time of publication. Consult factory regarding discrepancies or inconsistencies.

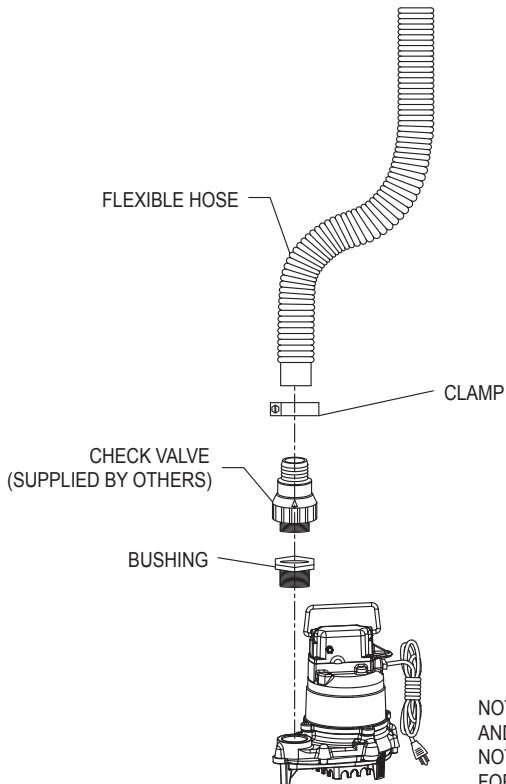
TECHNICAL DATA SHEET CRAWL SPACE® PUMPING SYSTEMS

Models 108, 138

Eliminates water and dampness.

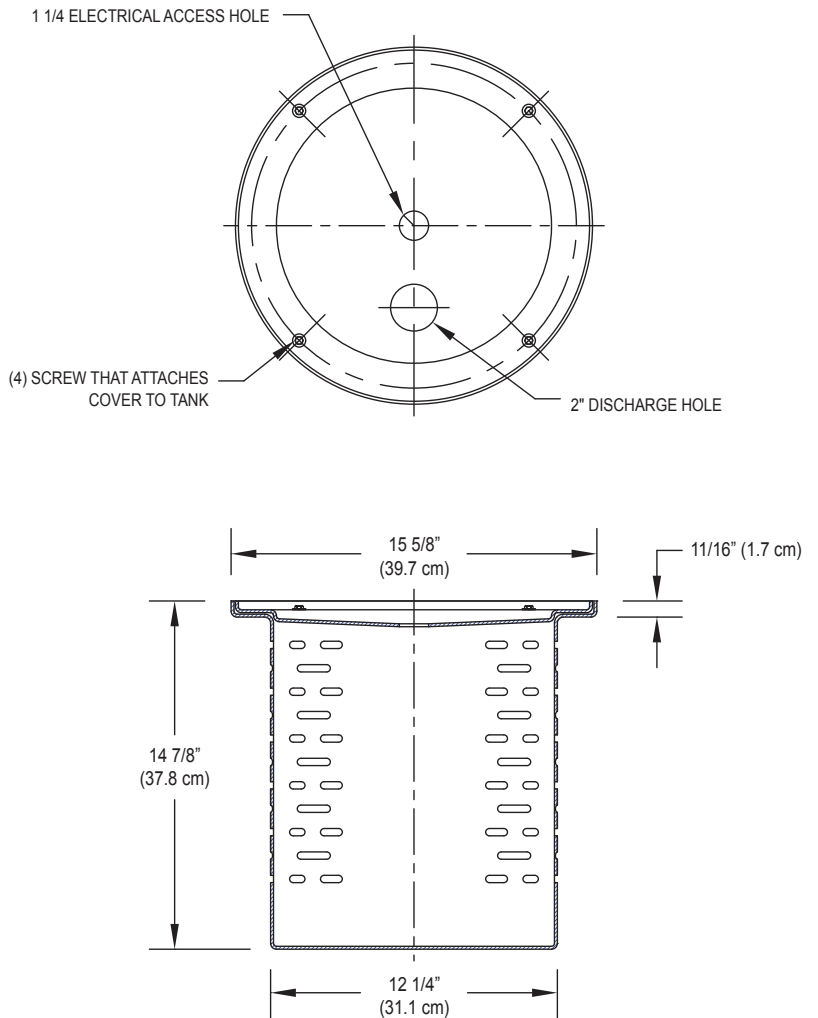
PRODUCT SPECIFICATIONS

- System includes an automatic pump, 24' (7.32 m) hose and tank assembly.
- 1/2" (12.7 mm) solids-passing capacity
- Non-clogging vortex impeller
- 20' (6 m) power cord on Economy System 108-0009 (model 49)
- 25' (8 m) power cord on Basic 108-0001 (model 53) and High Flow Systems 138-0001 (model 98)



NOTE: FLOAT AND SWITCH NOT SHOWN FOR CLARITY.

SK1805

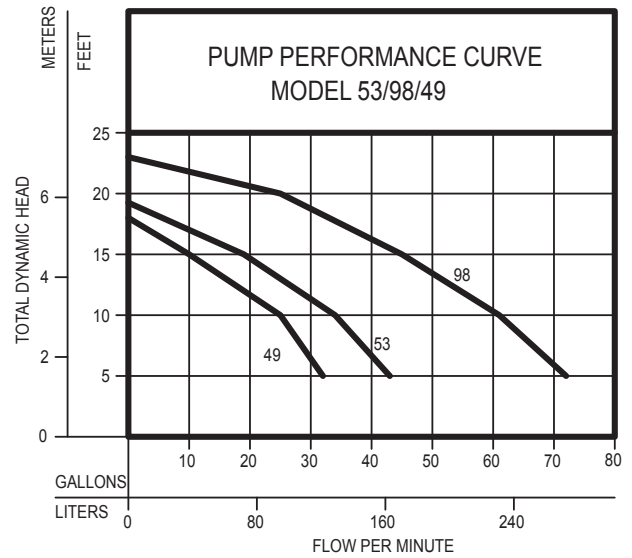


SK2996

TOTAL DYNAMIC HEAD FLOW PER MINUTE

MODEL		53		98		49	
Feet	Meters	Gal.	Liters	Gal.	Liters	Gal.	Liters
5	1.5	43	163	72	273	32	121
10	3.0	34	129	61	231	25	95
15	4.6	19	72	45	170	10	38
20	7.1	--	--	25	95	--	--
Shut-off Head:		19.25 ft.(5.9m)		23 ft.(7.0m)		18 ft.(5.5m)	

See FM2777 (model 49), FM2778 (model 53), FM2779 (model 98) for complete pump specifications.



151403

INSTALLATION INSTRUCTIONS UNDER THE STRUCTURE (Detailed installation instructions (FM1648) is included with unit.)

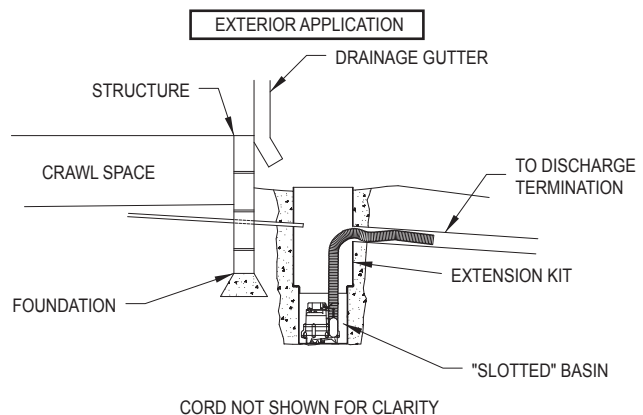
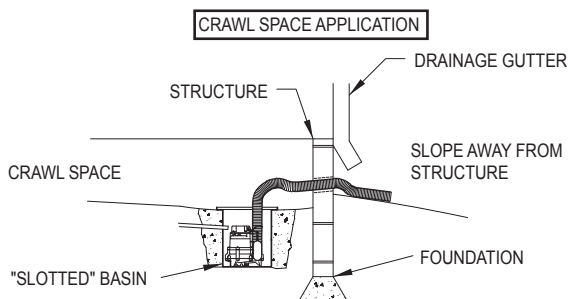
1. Select an area that collects water, typically near a foundation, and dig a hole approximately 6" (152 mm) wider and deep enough to allow the tank lid to be 2" (51 mm) above the ground.
2. If installing drain lines or weep tiles, complete the installation before placing basin in pit.
3. Place "slotted" basin (and extension, if used) in pit and install pump into pit. Connect drain lines or weep tiles to basin.
4. Place plastic sheeting on the ground after grading ground towards pit (available at hardware stores or garden centers).
5. Run power cord to a 3-prong grounded receptacle (per the NEC) and direct discharge line away from structure.
6. Test unit
7. Backfill with clean gravel that is larger than the slots in the basin. Check system once a year for debris and clean as necessary.

OUTSIDE INSTALLATION

(Applications include: low crawl space, hydrostatic pressure relief around foundation, basement walls, or under slabs.)

1. Install basin at the low end of the grade outside the foundation using above guidelines.
(Use extension kit P/N 10-0786 to get the pump below the frost line.)
2. Drill hole for 1-1/4" to 2" PVC pipe through the foundation even with the footing and install pipe to pit. Under the house and next to the pipe, dig out a 3 to 4 sq. ft. pad area 2" to 3" deep (level with pipe) and fill with concrete or gravel.

NOTE: If backflow from the discharge line "short-cycles" the pump, then a check valve (P/N 30-0183) should be installed in the discharge line below the frost line. Refer to section 5.1 in the installation instructions (FM1648).



SK1810

CAUTION All installation of controls, protection devices and wiring should be done by a qualified licensed electrician. All electrical and safety codes should be followed including the most recent National Electrical Code (NEC) and the Occupational Safety and Health Act (OSHA).