



See price list for complete item numbers and available options.

When ordering, please specify complete item number and any applicable option codes.



For More Information Contact:  
**WATCO Manufacturing Company**  
 1220 South Powell Road  
 Independence, MO 64057-2724  
 Ph. 816-796-3900 • FAX 816-796-0875  
[www.watcomfg.com](http://www.watcomfg.com)

## Tubular Plastic

### SLIP LOCK® 500-SL TRIP LEVER For most tubs 14" - 16" high

**Durable 1.5" Tubular Plastic PVC or ABS  
 Now Coarse Thread**

#### SPECIFICATIONS

##### FEATURES:

- SLIP LOCK® device automatically sets drop cylinder.
- Designed for heavy-duty use in hotels, motels, and rental property.
- Metal strainer body for cast iron or plastic tubs.
- Retainer plate for overflow elbow.

##### APPROVALS:

- Manufactured in compliance with ASTM F 409-2002 and NSF/ANSI 14-2007.
- Manufactured in compliance with CSA Standard B181.1 and CSA Standard B181.2

##### PATENTS:

- U.S. Pat. No. 5,394,572

##### OPERATION:

- Move trip lever, located on overflow plate, up to close drain and down to open drain.

##### THREAD SIZE (Strainer Body and Drain Elbow):

- 1½" – 11½ NPSM (Coarse Thread)
- 1.865" Major Diameter (outside thread diameter)
- 11.5 threads per inch

##### PIPING: PVC ABS

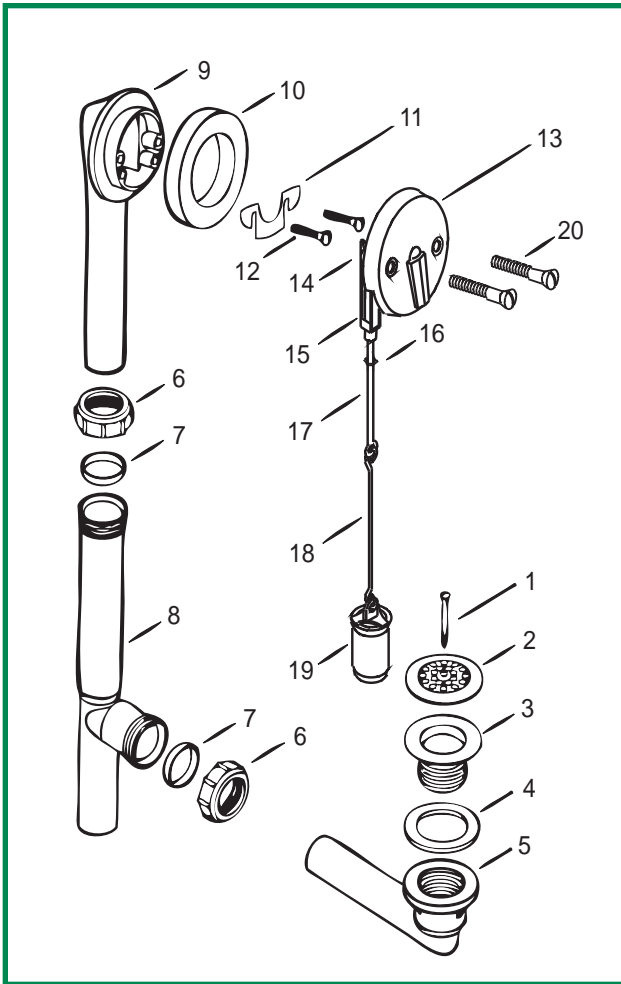
##### OPTIONS:

- Removable tailpiece and "O" Ring Seal (Code "RT1")
- Condensate Drain (Code "CD")
- Brass Drop Cylinder (Code "BD")
- Special lengths available:
  - Overflow extension (add code "EXlength")  
example: EX6
  - Drain extension (add code "Dlength") example: D4

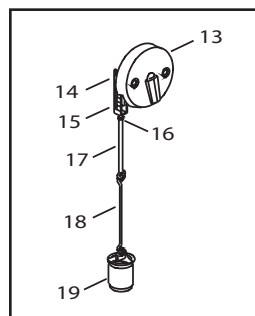
##### FINISHES:

- CP - Chrome Plated
- BN - Brushed Nickel
- BO - Bone
- BS - Biscuit
- BZ - Oil-Rubbed Bronze
- CB - Chrome Brushed
- NP - Nickel Polished
- PB - Polished Brass
- PN - Pearl Nickel
- WH - White
- WI - Wrought Iron

# 500-SL Series Parts List



Item	Part #	Description
1.	01040CP.....	Strainer Cover Plate Screw
2.	01006CP.....	Strainer Cover Plate
3.	11495CP .....	Trip Lever Strainer Body, Zinc, 1 1/2" - 11.5
4.	10696.....	Drain Ell Washer, grey, 1.5"
5.	11028.....	Drain Ell Tube, Tubular ABS, 1 1/2" - 11.5
	14028.....	Drain Ell Tube, Tubular PVC, 1 1/2" - 11.5
6.	11580 .....	Slip Joint Nut, ABS, 1 1/2"
	11581 .....	Slip Joint Nut, PVC, 1 1/2"
7.	11583 .....	Slip Joint Polywasher, 1 1/2"
8.	11000 .....	Tee, Tubular ABS
	14000.....	Tee, Tubular PVC
9.	11003 .....	Overflow Elbow, Tubular ABS
	14003.....	Overflow Elbow, Tubular PVC
10.	10675 .....	Overflow Ell Washer, Foam
11.	11530 .....	Retainer Plate
12.	11540 .....	Retainer Plate Screw
13.	10700CP.....	Trip Lever Faceplate Assembly
14.	10930.....	Cotter Pin Special Annealed
15.	10960.....	SLIP LOCK® Clevis with Head, Assembly
16.	10962.....	SLIP LOCK® Release Button
17.	10963.....	SLIP LOCK® Single-Loop Wire
18.	11619 .....	6.5" Double-Loop Wire
19.	11005 .....	Drop Cylinder for ABS
	14005.....	Drop Cylinder for PVC
20.	01024CP.....	Screw, Overflow Plate, 2.25"



## 10770-(PVC or ABS)-\_\_\_

Trip Lever faceplate assembly replacement for tubular plastic trip lever bath wastes.

Indicate PVC or ABS and finish desired.

## Roughing-In Dimensions:

