



T&S BRASS AND BRONZE WORKS, INC.

2 Saddleback Cove / P.O. Box 1088
Travelers Rest, SC 29690

Model No.

P3-8WREV-00RZJZ

Item No.

Travelers Rest, SC: 800-476-4103 • Simi Valley, CA: 800-423-0150 • Fax: 864-834-3518 • www.tsbrass.com

This Space for Architect/Engineer Approval

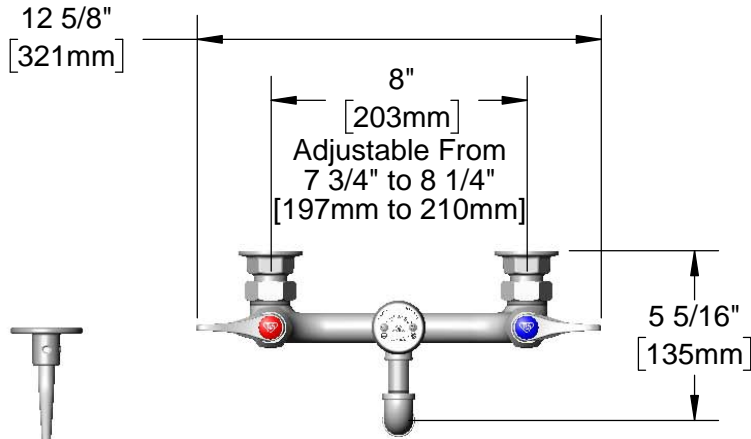
Job Name _____ Date _____

Model Specified _____ Quantity _____

Customer/Wholesaler _____

Contractor _____

Architect/Engineer _____



Hose Hanger Hook w/ Mounting Screws



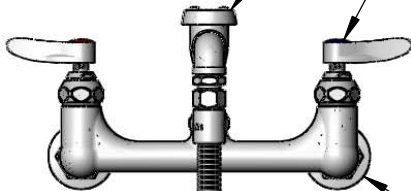
EB-0107-035 High Flow Angled Blue Spray Valve



B-0968 Atmospheric Vacuum Breaker



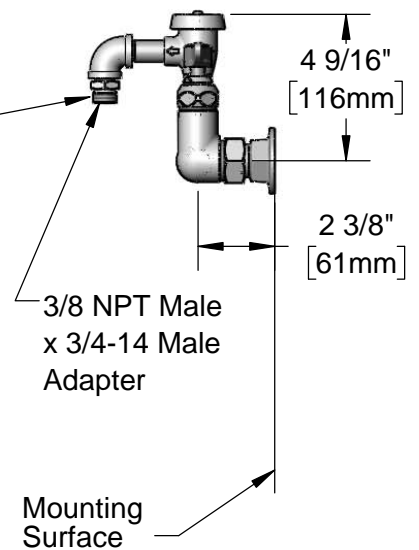
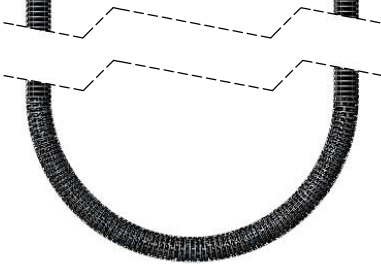
Quarter-Turn Eterna Cartridges w/ Spring Checks & Lever Handles w/ Color Coded Indexes



Items Not Shown For Clarity

Ø 2" [51mm] Flanges w/ 1/2" NPT Female Inlets

EB-0104-H 104" Flexible Stainless Steel Hose w/ Blue Handle



Mounting Surface

Product Specifications:

Pet Grooming Station: 8" Wall Mount Mixing Faucet, Quarter-Turn Eterna Cartridges w/ Spring Checks, Lever Handles, Vacuum Breaker, 104" Flexible Stainless Steel Hose w/ High Flow Angled Blue Spray Valve & 1/2" NPT Female Inlets

Product Compliance:

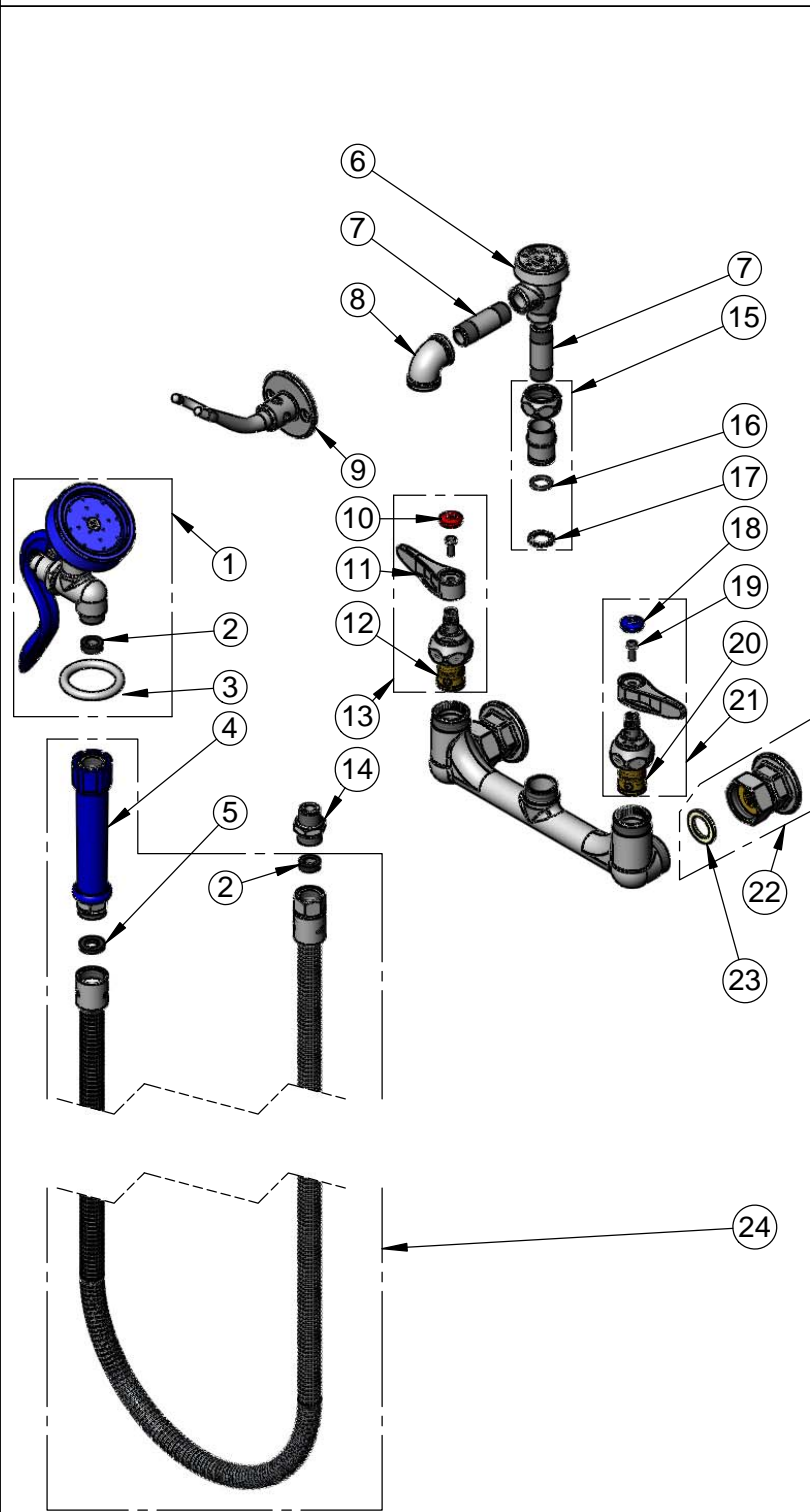
ASME A112.18.1 / CSA B125.1
NSF 61 Exempt (Non-Potable)
ASSE 1001 (VB)



T&S BRASS AND BRONZE WORKS, INC.
 2 Saddleback Cove / P.O. Box 1088
 Travelers Rest, SC 29690

Model No.
P3-8WREV-00RZJZ
 Item No.

Travelers Rest, SC: 800-476-4103 • Simi Valley, CA: 800-423-0150 • Fax: 864-834-3518 • www.tsbrass.com



ITEM NO.	SALES NO.	DESCRIPTION
1	EB-0107-035	Angled High Flow Spray Valve
2	010476-45	#27 Washer
3	000907-45	Spray Valve Hold Down Ring
4	011482-40	Blue Grip Handle
5	001014-45	Washer, B-0100 Hose Barrel
6	B-0968	3/8" NPT Vacuum Breaker
7	000357-40	Nipple, 3/8" NPT x 2"
8	001355-40	Elbow, 3/8 NPT
9	B-0166	B-109 Wall Bracket Body
10	001193-19NS	Red Button Index, Press-in
11	001638-45NS	Lever Handle (New Style)
12	012443-40NS	Quarter-Turn Eterna Cartridge, RTC w/ Spring Check
13	002712-40NS	Quarter-Turn Eterna Cartridge, RTC w/ Spring Check, Handle, Index & Screw
14	053A	3/8" NPT x 3/4-14 Male Adapter
15	EZ-K	EasyInstall Kit: Bushing, O-Ring & Lock Washer
16	001065-45	O-ring
17	014200-45	Star Washer, Anti-Rotation
18	018506-19NS	Blue Button Index, Press-in
19	000925-45	Lab Handle Screw
20	012442-40NS	Quarter-Turn Eterna Cartridge, LTC w/ Spring Check
21	002711-40NS	Quarter-Turn Eterna Cartridge, LTC w/ Spring Check, Handle, Index & Screw
22	00AA	1/2" NPT Female Eccentric Flange
23	001019-45	Coupling Nut Washer
24	EB-0104-H	104" Flexible Stainless Steel Hose & Blue Handle

Product Specifications:
 Pet Grooming Station: 8" Wall Mount Mixing Faucet, Quarter-Turn Eterna Cartridges w/ Spring Checks, Lever Handles, Vacuum Breaker, 104" Flexible Stainless Steel Hose w/ High Flow Angled Blue Spray Valve & 1/2" NPT Female Inlets

Product Compliance:
 ASME A112.18.1 / CSA B125.1
 NSF 61 Exempt (Non-Potable)
 ASSE 1001 (VB)