



# T&S BRASS AND BRONZE WORKS, INC.

2 Saddleback Cove / P.O. Box 1088  
Travelers Rest, SC 29690

Model No.

**EC-3103-VF15**

Item No.

Travelers Rest, SC: 800-476-4103 • Simi Valley, CA: 800-423-0150 • Fax: 864-834-3518 • www.tsbrass.com



**ADA Compliant**



This Space for Architect/Engineer Approval

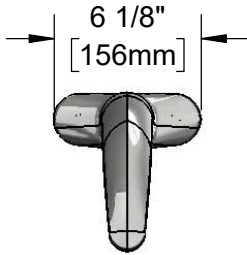
Job Name \_\_\_\_\_ Date \_\_\_\_\_

Model Specified \_\_\_\_\_ Quantity \_\_\_\_\_

Customer/Wholesaler \_\_\_\_\_

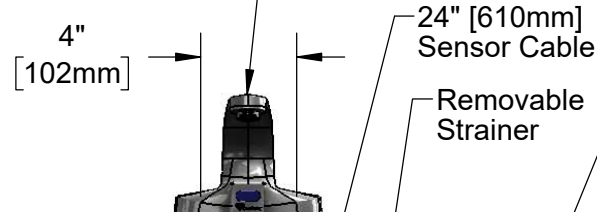
Contractor \_\_\_\_\_

Architect/Engineer \_\_\_\_\_



Solid Cast Brass Spout  
w/ Polished Chrome Plated Finish &  
B-0199-08-WS  
1.5 GPM  
Vandal Resistant Aerator

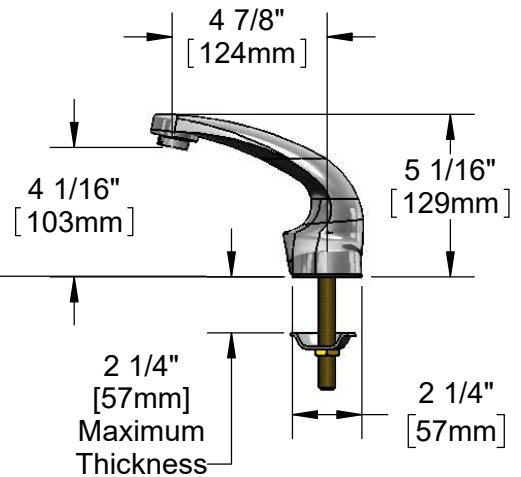
3 5/8" x 4 3/16" x 2" Deep  
[92mm x 106mm x 51mm]  
Water Resistant Control Module Box (Grey)  
w/ Internal Flow Control Setting  
Switches, AC or DC Operated w/ (4) AA  
Batteries. Hardwire Capable Using  
Terminals on Back



1/2" NPSM x 1/4" NPSM  
18" [457mm] Flexible  
Stainless Steel Hose

Removable  
Strainer

Mounting  
Surface



Temperature Mixing Valve  
w/ Integral Check Valves

100-240 VAC Adapter  
w/ 71" [1800mm]  
Power Cord.  
(Remove Rubber Plugs  
on Module and Cable  
to Connect)

(2) 3/8" Compression x 1/2" NPSM  
18" [457mm] Flexible Stainless  
Steel Supply Hose

### Rough-In Requirement:

- (1) Ø 1" [25mm] Center Shank Mounting Hole &
- (2) 1/2" [13mm] Mounting Stud Holes (on 4" Centers)

### Product Specifications:

Chrome Plated Brass Electronic Faucet: 4" Deck Mount Spout w/ VR 1.5 GPM Aerator, AC/DC Control Module w/ Internal Flow Control Setting Switches, Temperature Control Mixing Valve w/ Integral Check Valves, 18" Flexible Stainless Steel Supply Hoses

### Product Compliance:

ASME A112.18.1 / CSA B125.1  
NSF 61 - Section 9  
NSF 372 (Low Lead Content)  
ANSI A117.1 (ADA)  
UL 1951



# T&S BRASS AND BRONZE WORKS, INC.

2 Saddleback Cove / P.O. Box 1088  
Travelers Rest, SC 29690

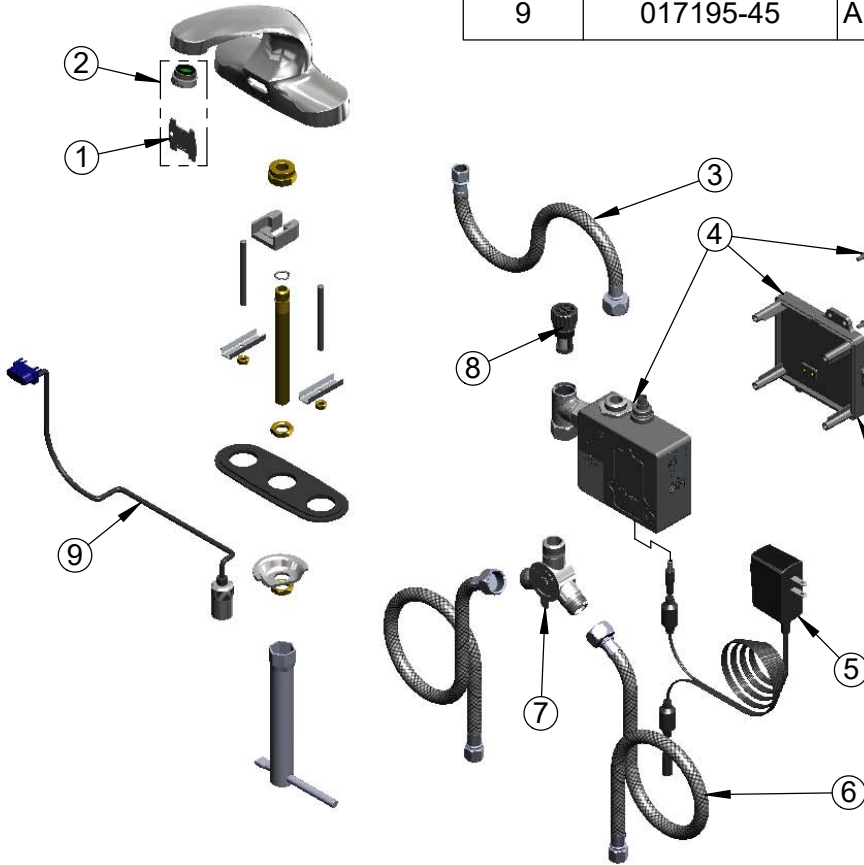
Model No.

**EC-3103-VF15**

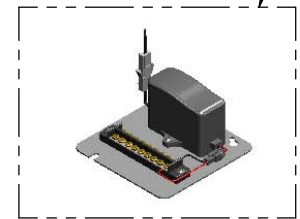
Item No.

Travelers Rest, SC: 800-476-4103 • Simi Valley, CA: 800-423-0150 • Fax: 864-834-3518 • www.tsbrass.com

ITEM NO.	SALES NO.	DESCRIPTION
1	015425-45	Vandal Resistant Key
2	B-0199-08-WS	VR Aerator, 1.5 GPM, 13/16"-27 Male
3	016297-45	Inlet Hose, Faucet, 1/2" NPSM-F x 1/4" NPSM-F
4	016647-45	ChekPoint Electronic Module (Grey)
5	5EF-0002	Plug-In A/C Transformer
6	5EF-0005	Supply Hose, 9/16-24 Female x 1/2" NPSM
7	5EF-0006	Mechanical Mixing Valve
8	EC-FILTER	Replacement Filter
9	017195-45	Angled Sensor w/ Cable



A Maximum of (8) ChekPoint Faucets can be Hardwire Connected and Powered by EC-HARDWIRE ChekPoint Hardwire AC Transformer. (Sold Separately)



Label for Flow Control Switch Settings is Located on Inside of Back Cover.

Flow Control Switches are Located Inside Module Housing in Black Box Next to Battery Compartment.  
\*Switches are Set to DEFAULT Position:  
- Auto Time Out = 15 Seconds  
- Shut Off Delay = 1 Second  
- Auto Flush = OFF

Remove (4) Screws and Back Cover to Access Switches.

**\*Available Water Flow Control Selections:**

- Auto Time Out: 15 sec, 30 sec, 45 sec, 60 sec, 3 min, 20 min
- Shut Off Delay: 1 sec, 10 sec, 15 sec, 30 sec
- Auto Flush (30 Seconds After Every 12 Inactive Hours): ON or OFF

**Product Specifications:**

Chrome Plated Brass Electronic Faucet: 4" Deck Mount Spout w/ VR 1.5 GPM Aerator, AC/DC Control Module w/ Internal Flow Control Setting Switches, Temperature Control Mixing Valve w/ Integral Check Valves, 18" Flexible Stainless Steel Supply Hoses

**Product Compliance:**

ASME A112.18.1 / CSA B125.1  
NSF 61 - Section 9  
NSF 372 (Low Lead Content)  
ANSI A117.1 (ADA)  
UL 1951