



# T&S BRASS AND BRONZE WORKS, INC.

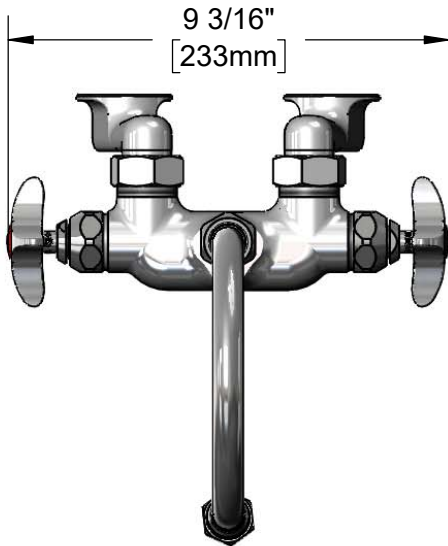
2 Saddleback Cove / P.O. Box 1088  
Travelers Rest, SC 29690

Model No.

**BL-5740-02**

Item No.

Travelers Rest, SC: 800-476-4103 • Simi Valley, CA: 800-423-0150 • Fax: 864-834-3518 • www.tsbrass.com



**ADA Compliant**

This Space for Architect/Engineer Approval

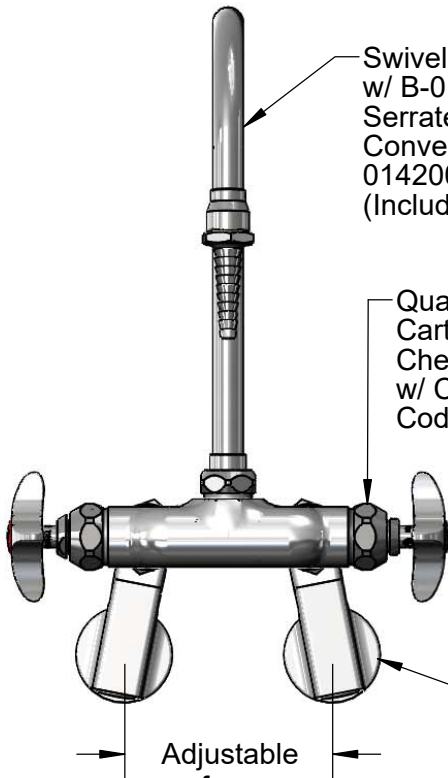
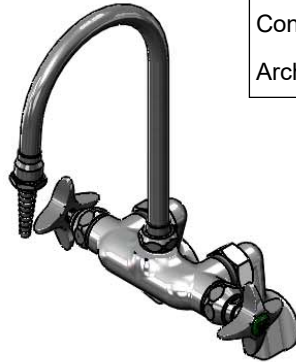
Job Name \_\_\_\_\_ Date \_\_\_\_\_

Model Specified \_\_\_\_\_ Quantity \_\_\_\_\_

Customer/Wholesaler \_\_\_\_\_

Contractor \_\_\_\_\_

Architect/Engineer \_\_\_\_\_

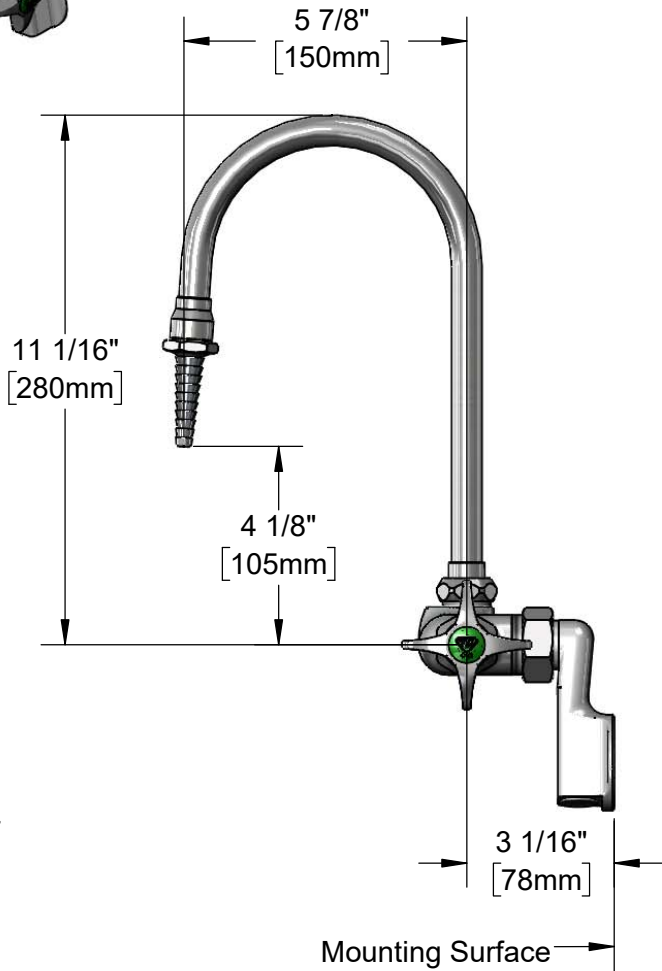


Swivel Gooseneck  
w/ B-0198  
Serrated Tip & Washer.  
Converts to Rigid w/  
014200-45 Lock Washer  
(Included)

Quarter-Turn Eterna  
Cartridges w/ Spring  
Checks & 4-Arm Handles  
w/ Color Coded Indexes

Ø2" [51mm] Wall  
Flange w/ 1/2" NPT  
Female Inlet

Adjustable  
from  
2 1/4" to 8 1/4"  
[57mm] to [210mm]  
Below or Above Centerline



**Product Specifications:**

Adjustable Wall Mount Mixing Faucet, Quarter-Turn Eterna Cartridges w/ Spring Checks, 5 7/8" Swivel Gooseneck w/ Serrated Tip, 4-Arm Lab Handles and 1/2" NPT Female Adjustable Arm Inlets

**Product Compliance:**

ASME A112.18.1 / CSA B125.1  
NSF 61 - Section 9  
NSF 372 (Low Lead Content)  
ANSI A117.1 (ADA)

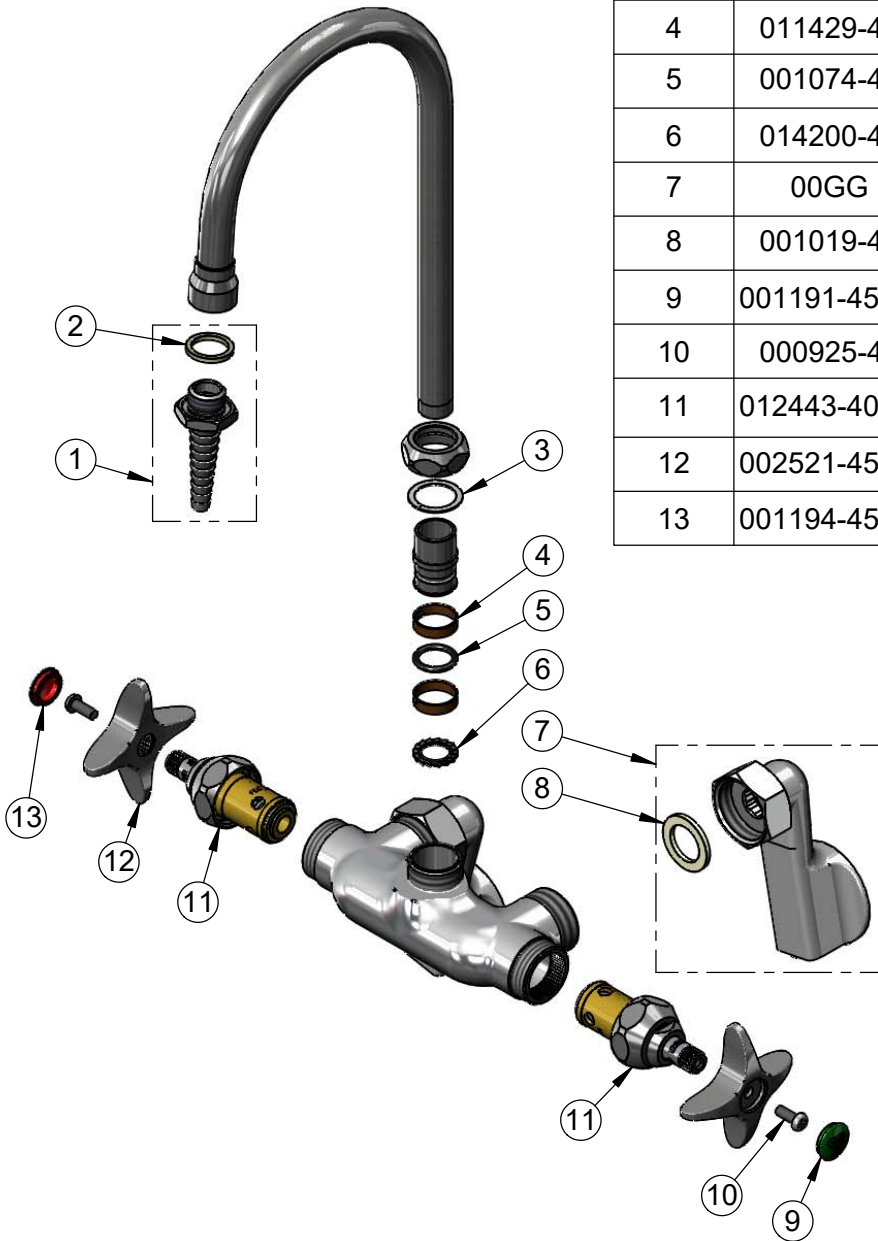


**T&S BRASS AND BRONZE WORKS, INC.**  
 2 Saddleback Cove / P.O. Box 1088  
 Travelers Rest, SC 29690

Model No.  
**BL-5740-02**  
 Item No.

Travelers Rest, SC: 800-476-4103 • Simi Valley, CA: 800-423-0150 • Fax: 864-834-3518 • www.tsbrass.com

ITEM NO.	SALES NO.	DESCRIPTION
1	B-0198	Serrated Tip w/ Washer
2	001051-45	Washer
3	009538-45	Swivel Washer
4	011429-45	Swivel Sleeves (2)
5	001074-45	O-Ring
6	014200-45	Star Washer, Anti-Rotation
7	00GG	1/2" NPT Female Adjustable Arm Flange
8	001019-45	Coupling Nut Washer
9	001191-45NS	Green "CW" Lab Button Index
10	000925-45	Lab Handle Screw
11	012443-40NS	Quarter-Turn Eterna Cartridge w/ Spring Check, RTC
12	002521-45NS	4-Arm Handle (New Style)
13	001194-45NS	Red "HW" Lab Button Index



**Product Specifications:**  
 Adjustable Wall Mount Mixing Faucet, Quarter-Turn Eterna Cartridges w/ Spring Checks, 5 7/8" Swivel Gooseneck w/ Serrated Tip, 4-Arm Lab Handles and 1/2" NPT Female Adjustable Arm Inlets

**Product Compliance:**  
 ASME A112.18.1 / CSA B125.1  
 NSF 61 - Section 9  
 NSF 372 (Low Lead Content)  
 ANSI A117.1 (ADA)