



T&S BRASS AND BRONZE WORKS, INC.

2 Saddleback Cove / P.O. Box 1088
Travelers Rest, SC 29690

Model No.

BL-4210 SERIES

Item No.

Travelers Rest, SC: 800-476-4103 • Simi Valley, CA: 800-423-0150 • Fax: 864-834-3518 • www.tsbrass.com

BL-4210-0	Turret w/ (2) Hose Cocks @ 90°
BL-4210-01	Turret w/ (1) Hose Cock
BL-4210-02	Turret w/ (2) Hose Cocks @ 180°

This Space for Architect/Engineer Approval

Job Name _____ Date _____

Model Specified _____ Quantity _____

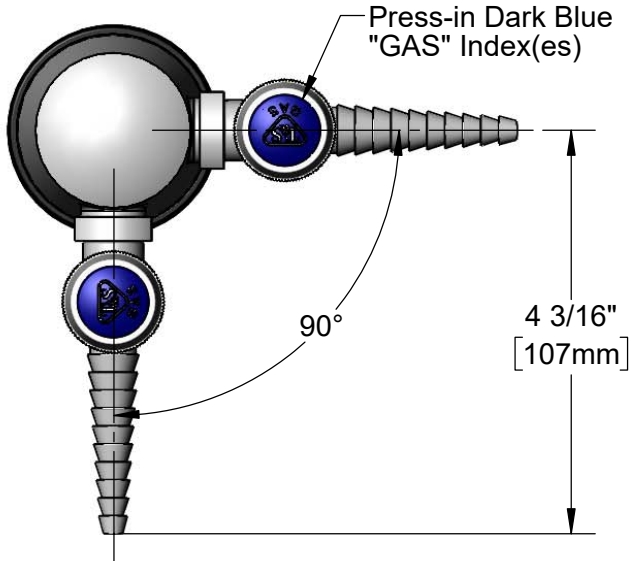
Customer/Wholesaler _____

Contractor _____

Architect/Engineer _____

Notes:

1. Special Packing in Valve Suitable for Oxygen, Hydrogen and Other Special Gases
2. Pressure:
Fuel Gas - 0.5 psi max
Other Gases Including Air - 80 psi max
Vacuum - 30 inches of Mercury max
3. Temperature: 32°F - 125°F



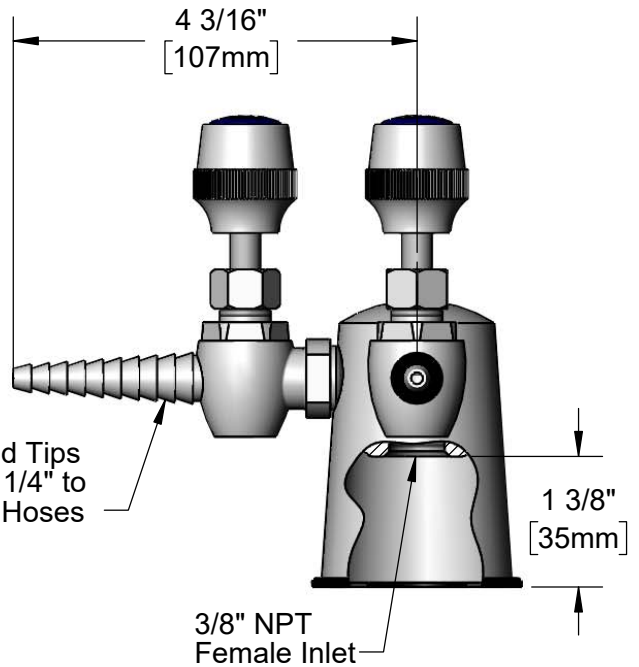
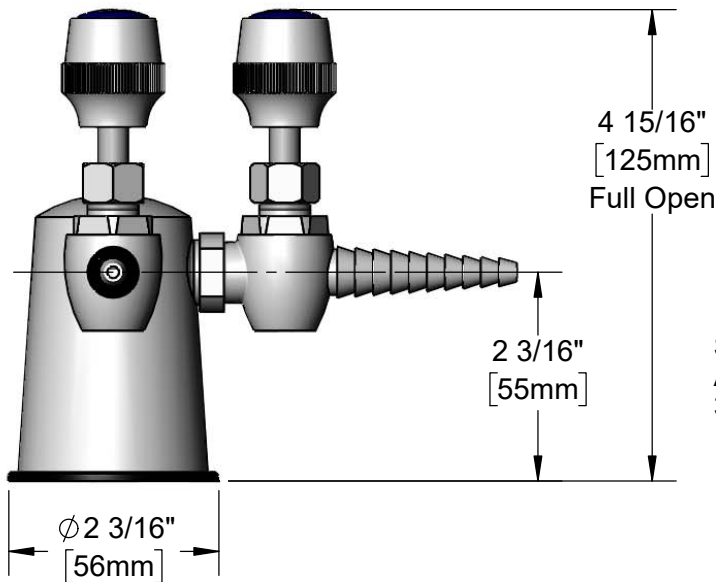
Model BL-4210-0 Shown



209L-AIR-NS
Index(es)
Included



209L-VAC-NS
Index(es)
Included



Product Specifications:
Laboratory Turret w/ Needle Valve Hose Cock(s)

Product Compliance:
ANSI Z21.15a / CSA 9.1a (Gas Valves)



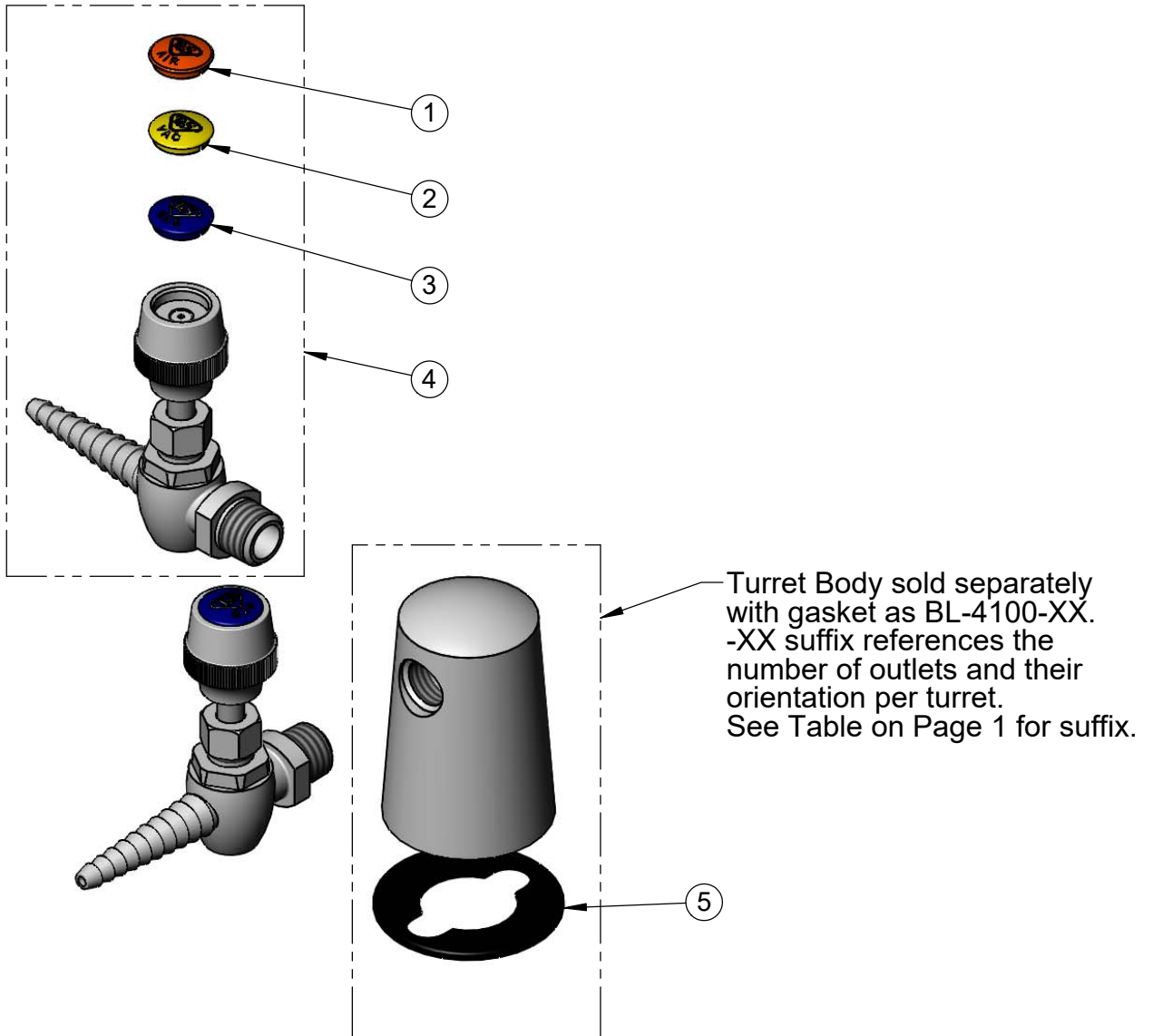
T&S BRASS AND BRONZE WORKS, INC.
 2 Saddleback Cove / P.O. Box 1088
 Travelers Rest, SC 29690

Model No.
BL-4210 SERIES

Item No.

Travelers Rest, SC: 800-476-4103 • Simi Valley, CA: 800-423-0150 • Fax: 864-834-3518 • www.tsbrass.com

ITEM NO.	SALES NO.	DESCRIPTION
1	209L-AIR-NS	Orange "AIR" Lab Button Index
2	209L-VAC-NS	Yellow "VAC" Lab Button Index
3	209L-GAS-NS	Dark Blue "GAS" Lab Button Index
4	BL-4010-01	Needle Valve Hose Cock w/ GAS, AIR & VAC Indexes
5	144L	Black Plastic Gasket



Product Specifications:
 Laboratory Turret w/ Needle Valve Hose Cock(s)

Product Compliance:
 ANSI Z21.15a / CSA 9.1a (Gas Valves)