



# T&S BRASS AND BRONZE WORKS, INC.

2 Saddleback Cove / P.O. Box 1088  
Travelers Rest, SC 29690

Model No.

**BL-4203 SERIES**

Item No.

Travelers Rest, SC: 800-476-4103 • Simi Valley, CA: 800-423-0150 • Fax: 864-834-3518 • www.tsbrass.com

|            |                                 |
|------------|---------------------------------|
| BL-4203-0  | Turret w/ (2) Hose Cocks @ 90°  |
| BL-4203-01 | Turret w/ (1) Hose Cock         |
| BL-4203-02 | Turret w/ (2) Hose Cocks @ 180° |
| BL-4203-04 | Turret w/ (4) Hose Cocks @ 90°  |



**ADA Compliant**

This Space for Architect/Engineer Approval

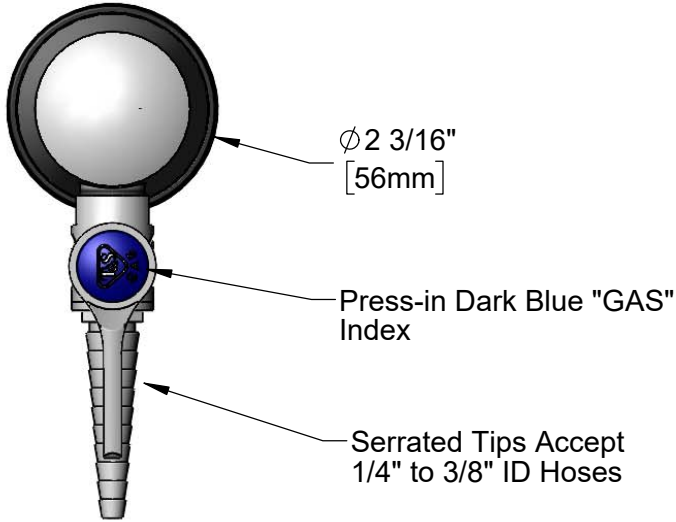
Job Name \_\_\_\_\_ Date \_\_\_\_\_

Model Specified \_\_\_\_\_ Quantity \_\_\_\_\_

Customer/Wholesaler \_\_\_\_\_

Contractor \_\_\_\_\_

Architect/Engineer \_\_\_\_\_



**Notes:**

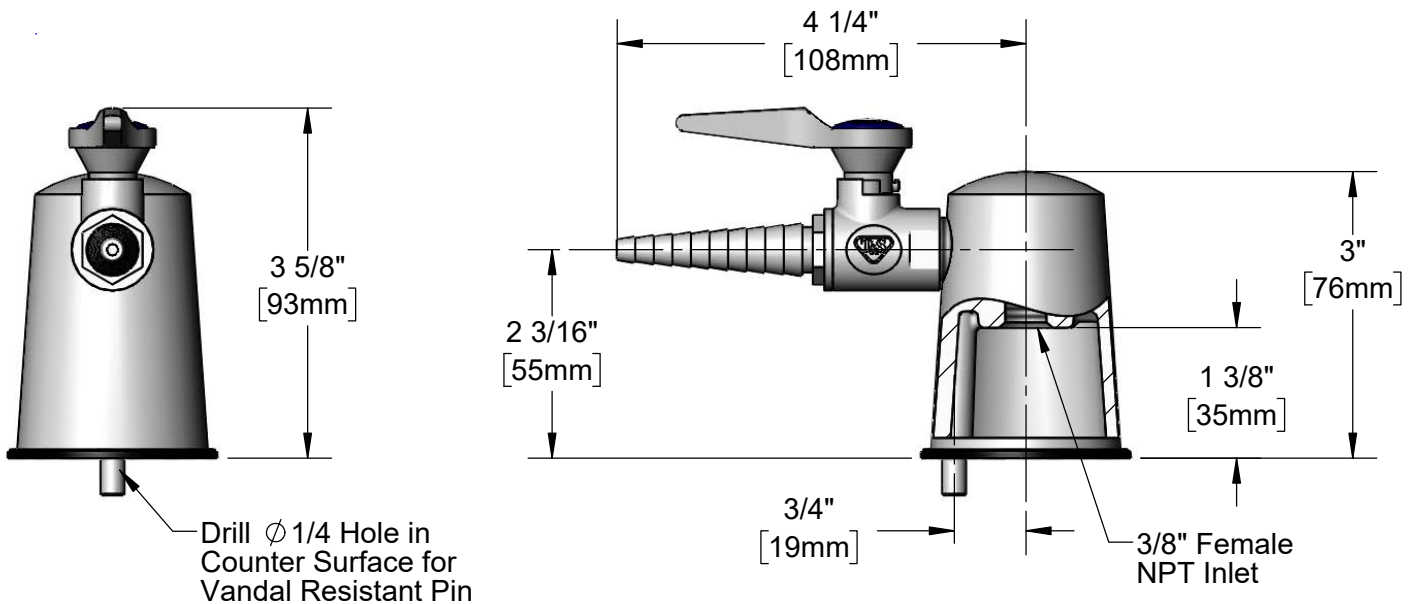
1. Natural Gas Pressure: 0.5 PSIG Max. (For Natural Gas above 0.5 PSIG or Oxygen and Specialty Gases, use BL-4010-01 Gas Cock.)
2. Air Pressure: 125 PSIG Max.
3. Vacuum: 30 inches of Mercury Max.
4. Certified to ANSI Z21.15a / CSA 9.1a



209L-VAC-NS  
Index(es)  
(Included)



209L-AIR-NS  
Index(es)  
(Included)



**Product Specifications:**  
Vandal Resistant Laboratory Turret w/ Serrated Hose Cock(s)

**Product Compliance:**  
ANSI Z21.15a / CSA 9.1a (Gas Valves)  
ANSI A117.1 (ADA)



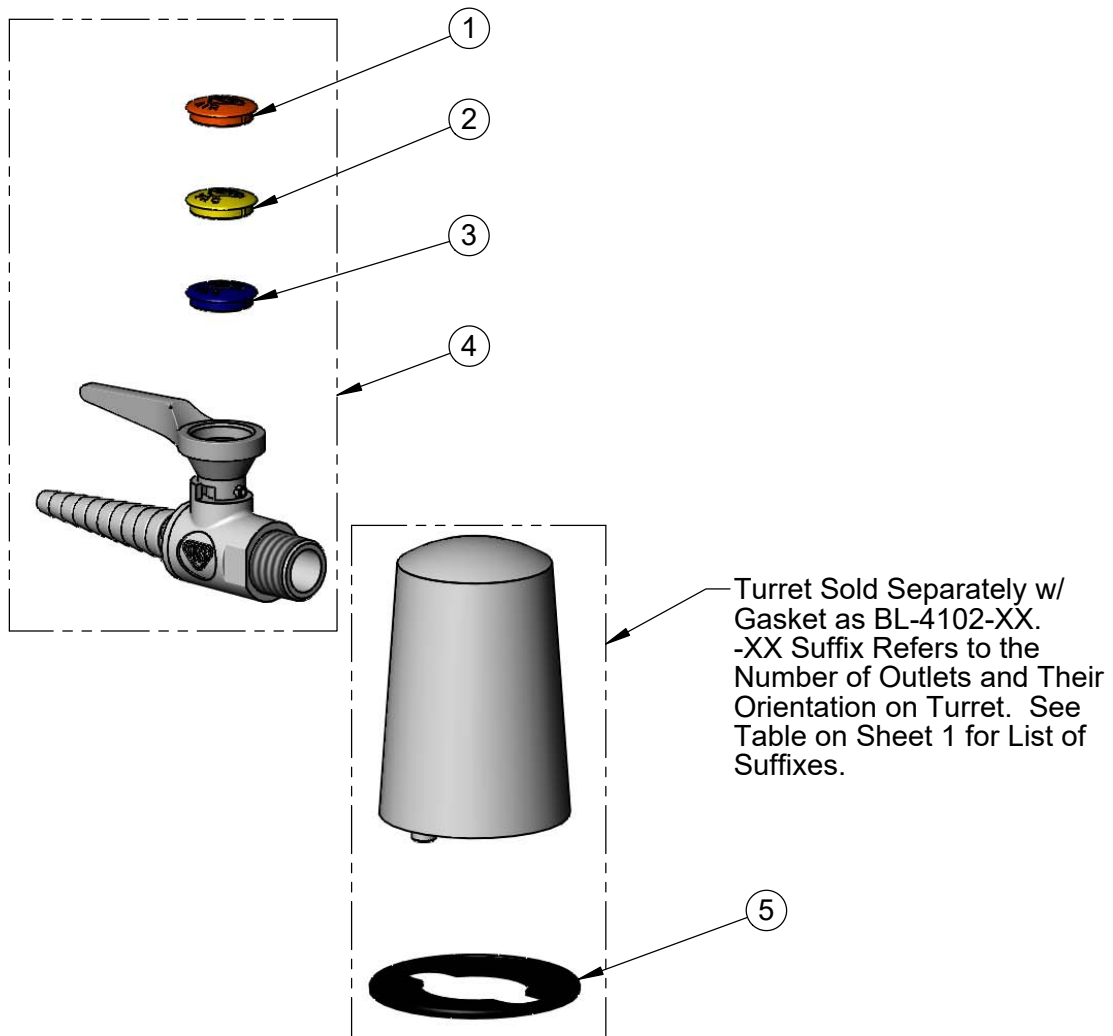
**T&S BRASS AND BRONZE WORKS, INC.**  
 2 Saddleback Cove / P.O. Box 1088  
 Travelers Rest, SC 29690

Model No.  
**BL-4203 SERIES**

Item No.

Travelers Rest, SC: 800-476-4103 • Simi Valley, CA: 800-423-0150 • Fax: 864-834-3518 • www.tsbrass.com

| ITEM NO. | SALES NO.   | DESCRIPTION                                    |
|----------|-------------|--|
| 1        | 209L-AIR-NS | Orange "AIR" Lab Button Index                  |
| 2        | 209L-VAC-NS | Yellow "VAC" Lab Button Index                  |
| 3        | 209L-GAS-NS | Dark Blue "GAS" Lab Button Index               |
| 4        | BL-4000-01  | Ball Valve Hose Cock w/ GAS, AIR & VAC Indexes |
| 5        | 144L        | Black Plastic Gasket                           |



Product Specifications:  
 Vandal Resistant Laboratory Turret w/ Serrated Hose Cock(s)

Product Compliance:  
 ANSI Z21.15a / CSA 9.1a (Gas Valves)  
 ANSI A117.1 (ADA)