



# T&S BRASS AND BRONZE WORKS, INC.

2 Saddleback Cove / P.O. Box 1088  
Travelers Rest, SC 29690

Model No.

**B-5120-CR-B8P**

Item No.

Travelers Rest, SC: 800-476-4103 • Simi Valley, CA: 800-423-0150 • Fax: 864-834-3518 • www.tsbrass.com

This Space for Architect/Engineer Approval

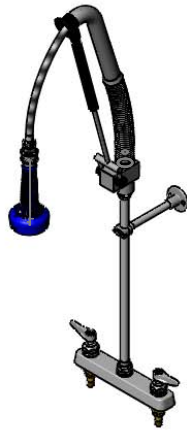
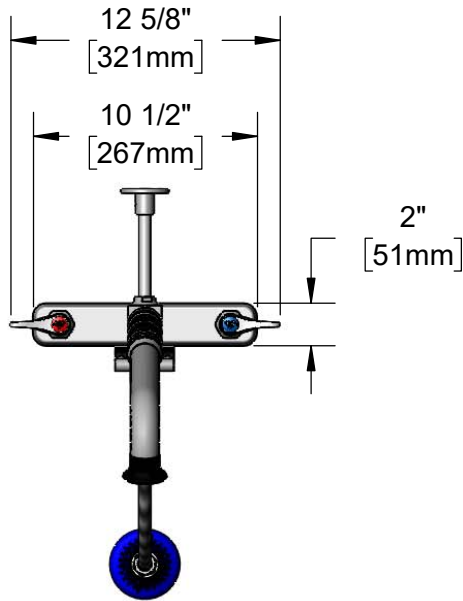
Job Name \_\_\_\_\_ Date \_\_\_\_\_

Model Specified \_\_\_\_\_ Quantity \_\_\_\_\_

Customer/Wholesaler \_\_\_\_\_

Contractor \_\_\_\_\_

Architect/Engineer \_\_\_\_\_



30" Flexible Stainless Steel  
Hose w/ Spring, Air Cylinder,  
Swivel & 1.07 GPM Sprayer

Items Not Shown  
For Clarity

3/8" NPT x  
18" Riser

EasyInstall  
Lock Nut &  
Bushing

3 1/4"  
[82mm]

8"  
[203mm]

Quarter-Turn  
Cerama Cartridges w/  
Check Valves &  
Lever Handles w/  
Color Coded Indexes

1/2" NPT  
Male Inlets

21 3/4"  
[552mm]

11 1/4"  
[285mm]

Pull Down  
Activated Valve  
w/ Auto Shut-Off  
Upon Release

B-0109-01  
6" Wall Bracket

40 13/16"  
[1036mm]

Mounting Surface

(2) 150A  
Optional Tailpieces &  
Nuts For 1/4" NPT  
Connection (Included)

1/4"  
[6mm]  
Maximum  
Thickness

Rough-In Requirement:  
(2)  $\phi$  1" [25mm] Mounting Holes

**Product Specifications:**

EasyInstall Pull-Down Pre-Rinse Unit: 8" Deck Mount Workboard Faucet, Quarter-Turn Cerama Cartridges w/ Check Valves, Lever Handles, 18" Riser, 30" Flexible Stainless Steel Hose, 1.07 GPM Sprayer, 6" Wall Bracket & 1/2" NPT Male Inlets

**Product Compliance:**

ASME A112.18.1 / CSA B125.1  
NSF 61 - Section 9  
NSF 372 (Low Lead Content)  
2019 DOE PRSV - Class II



**T&S BRASS AND BRONZE WORKS, INC.**  
 2 Saddleback Cove / P.O. Box 1088  
 Travelers Rest, SC 29690

Model No.  
**B-5120-CR-B8P**

Item No.

Travelers Rest, SC: 800-476-4103 • Simi Valley, CA: 800-423-0150 • Fax: 864-834-3518 • www.tsbrass.com

ITEM NO.	SALES NO.	DESCRIPTION
1	019898-40	1.07 GPM Sprayer w/ Swivel
2	108SF-RK	Spray Face Repair Kit
3	001014-45	Washer, B-0100 Hose Barrel
4	018200-40	3/8" NPT Live Swivel
5	005221-25	7/8"-20 x 1/2" BSSP Adapter
6	019901-45	30" Stainless Steel Braided Hose w/ 1/2" NPSM Threads
7	020062-45	Air Cylinder Repair Kit
8	020060-45	Spring & Tube Repair Kit
9	020061-45	Valve Stem Repair Kit
10	020063-45	Valve Body Repair Kit
11	001359-40	Hex Bushing, 1/2" NPT Male x 3/8" NPT Female
12	B-0109-01	6" Wall Bracket
13	000369-40	3/8" NPT x 18" Riser
14	EZ-K	EasyInstall Kit: Nut, Bushing, O-ring & Lock Washer
15	014200-45	Star Washer, Anti-Rotation
16	018506-19NS	Blue Button Index, Press-in
17	000925-45	Lab Handle Screw
18	012395-25NS	Quarter-Turn Cerama Cartridge, LTC w/ Check Valve
19	012447-25NS	Quarter-Turn Cerama Cartridge, LTC w/ Check Valve, Lever Handle, Index & Screw
20	019376-40	Escutcheon Lock Nut
21	019611-40	4" c/c Brass Escutcheon
22	000999-45	Brass Lock Washer
23	002954-45	Shank Lock Nut
24	150A	1/4" NPT Tailpiece & Nut
25	012446-25NS	Quarter-Turn Cerama Cartridge, RTC w/ Check Valve, Lever Handle, Index & Screw
26	012394-25NS	Quarter-Turn Cerama Cartridge, RTC w/ Check Valve
27	001638-45NS	Lever Handle (New Style)
28	001193-19NS	Red Button Index, Press-in
29	020064-45	PRU Control Valve Seal Repair Kit
30	001065-45	O-ring

**Product Specifications:**  
 EasyInstall Pull-Down Pre-Rinse Unit: 8" Deck Mount Workboard Faucet, Quarter-Turn Cerama Cartridges w/ Check Valves, Lever Handles, 18" Riser, 30" Flexible Stainless Steel Hose, 1.07 GPM Sprayer, 6" Wall Bracket & 1/2" NPT Male Inlets

**Product Compliance:**  
 ASME A112.18.1 / CSA B125.1  
 NSF 61 - Section 9  
 NSF 372 (Low Lead Content)  
 2019 DOE PRSV - Class II