

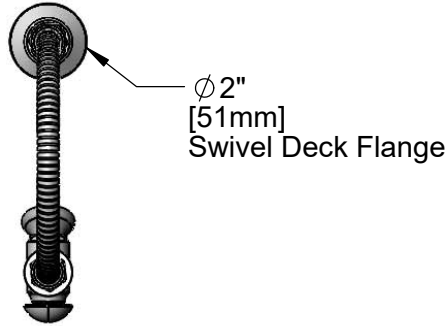


T&S BRASS AND BRONZE WORKS, INC.
 2 Saddleback Cove / P.O. Box 1088
 Travelers Rest, SC 29690

Model No.
B-0101-B

Item No.

Travelers Rest, SC: 800-476-4103 • Simi Valley, CA: 800-423-0150 • Fax: 864-834-3518 • www.tsbrass.com



This Space for Architect/Engineer Approval

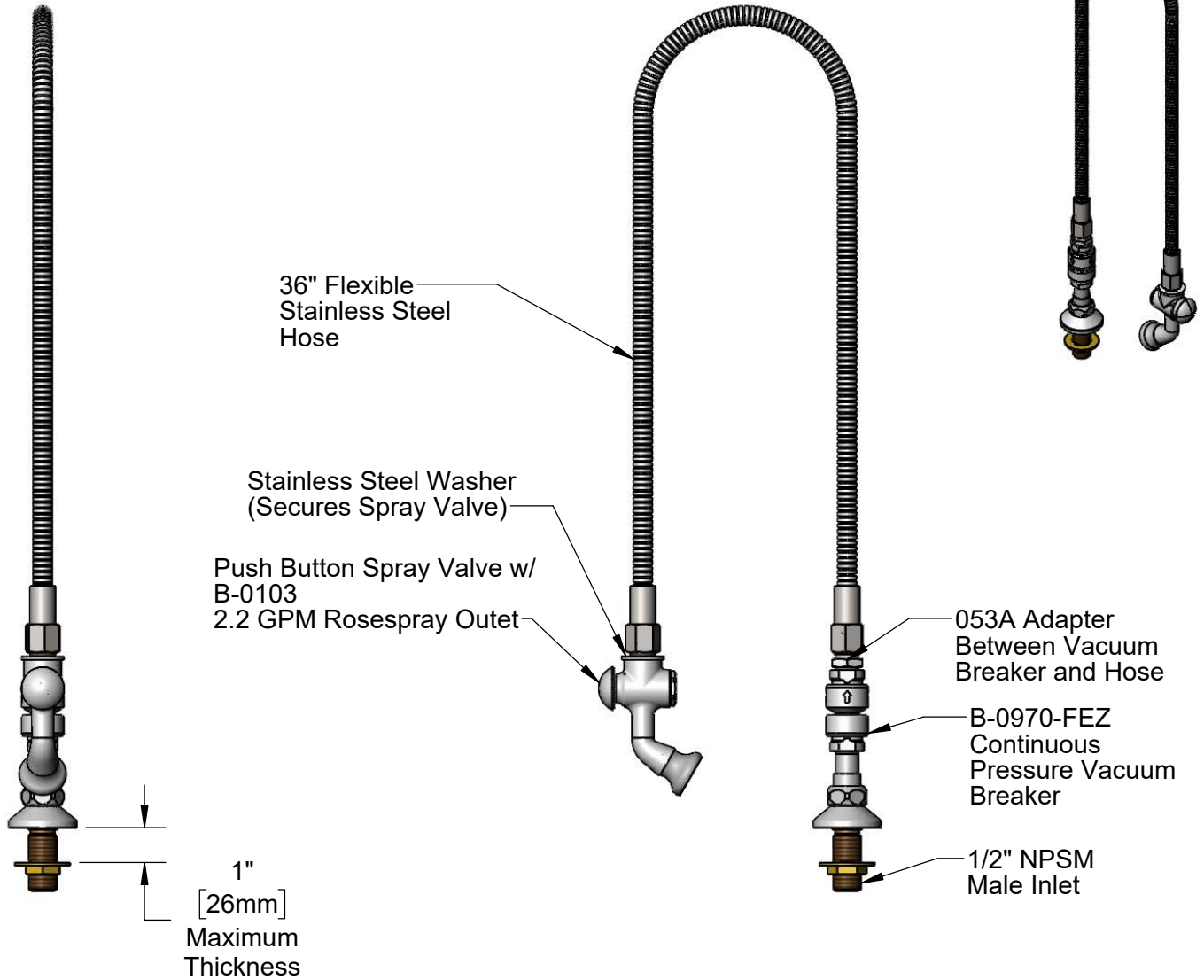
Job Name _____ Date _____

Model Specified _____ Quantity _____

Customer/Wholesaler _____

Contractor _____

Architect/Engineer _____



Product Specifications:
 Spray Valve w/ 2.2 GPM Rosespray Outlet & 36" Flexible Stainless Steel Hose w/ Adapter

Product Compliance:
 ASME A112.18.1 / CSA B125.1
 NSF 61 - Section 9
 NSF 372 (Low Lead Content)
 2019 DOE PRSV Non-Compliant
 Product Not Designed/Intended for Commercial Warewashing in North America

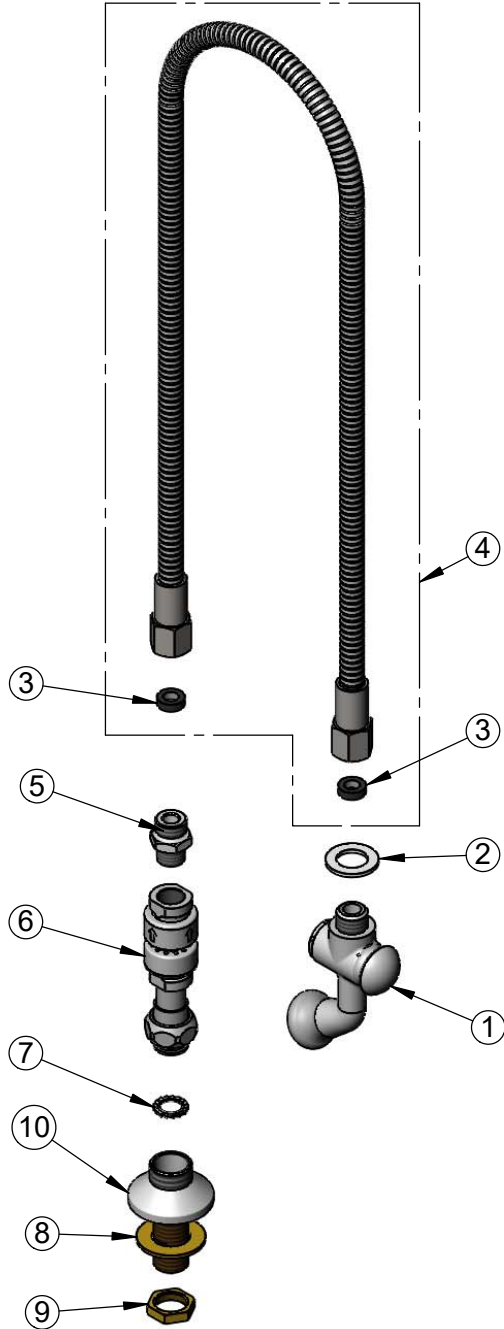


T&S BRASS AND BRONZE WORKS, INC.
 2 Saddleback Cove / P.O. Box 1088
 Travelers Rest, SC 29690

Model No.
B-0101-B

Item No.

Travelers Rest, SC: 800-476-4103 • Simi Valley, CA: 800-423-0150 • Fax: 864-834-3518 • www.tsbrass.com



ITEM NO.	SALES NO.	DESCRIPTION
1	002857-40	Spray Valve Assembly w/ 2.2 GPM Rosespray Outlet
2	001010-40	Washer, Stainless Steel
3	010476-45	#27 Washer
4	017509-40	36" Flexible Stainless Steel Hose
5	053A	Adapter, 3/8" NPT Male
6	B-0970-FEZ	Vacuum Breaker
7	014200-45	Star Washer, Anti-Rotation
8	000999-45	Brass Lock Washer
9	002954-45	Shank Lock Nut
10	B-0431	Swivel Base Flange

Product Specifications:
Spray Valve w/ 2.2 GPM Rosespray Outlet & 36" Flexible Stainless Steel Hose w/ Adapter

Product Compliance:
 ASME A112.18.1 / CSA B125.1
 NSF 61 - Section 9
 NSF 372 (Low Lead Content)
 2019 DOE PRSV Non-Compliant
 Product Not Designed/Intended for
 Commercial Warewashing in North America