

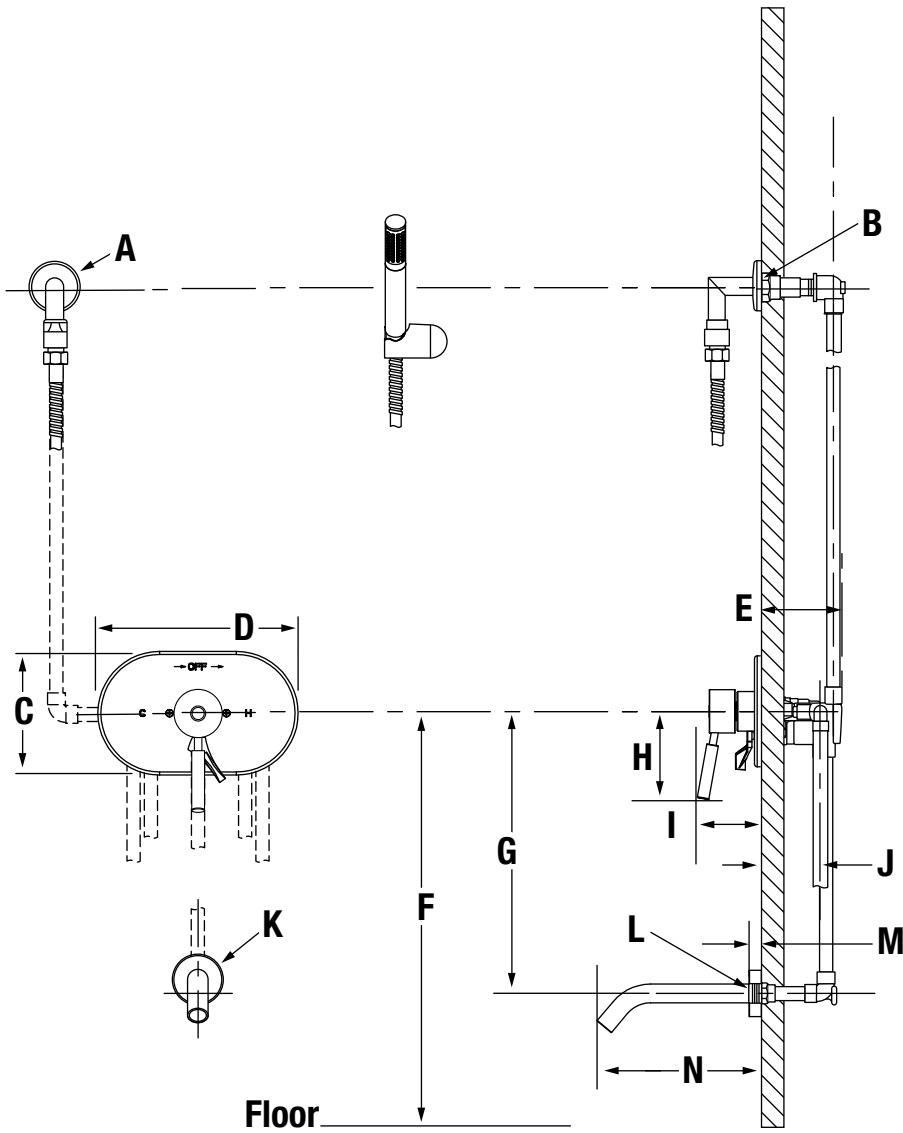


S-4304-TRM
Sereno[™] Tub/Hand Shower Trim
Operation & Maintenance Manual

Model Numbers	Specifications
<input type="checkbox"/> S-4304-TRM <i>Tub/Hand Shower Trim</i>	<p>Tub/hand shower trim with lever handle and secondary integral diverter handle includes wall connection, cradle for hand shower mounting, non-diverter tub spout, in-line vacuum breaker, flexible metal hose and 1 mode hand shower with 2.5 gpm (9.5 L/min) flow restrictor. Components made from metal and nonmetallic materials plated in standard polished chrome finish.</p>
Modifications	Warranty
<input type="checkbox"/> -1.5  1.5 gpm (5.7 L/min) flow restrictor <input type="checkbox"/> -2.0  2.0 gpm (7.6 L/min) flow restrictor <input type="checkbox"/> -432HSB 30" slide bar in place of wall cradle on hand shower units <input type="checkbox"/> -STN Satin nickel finish	<p>Limited Lifetime - to the original end purchaser in consumer installations. 5 Years - for commercial installations.</p> <p>Refer to www.symmons.com/warranty for complete warranty information.</p>

Note: Append appropriate -suffix to model number.

Dimensions

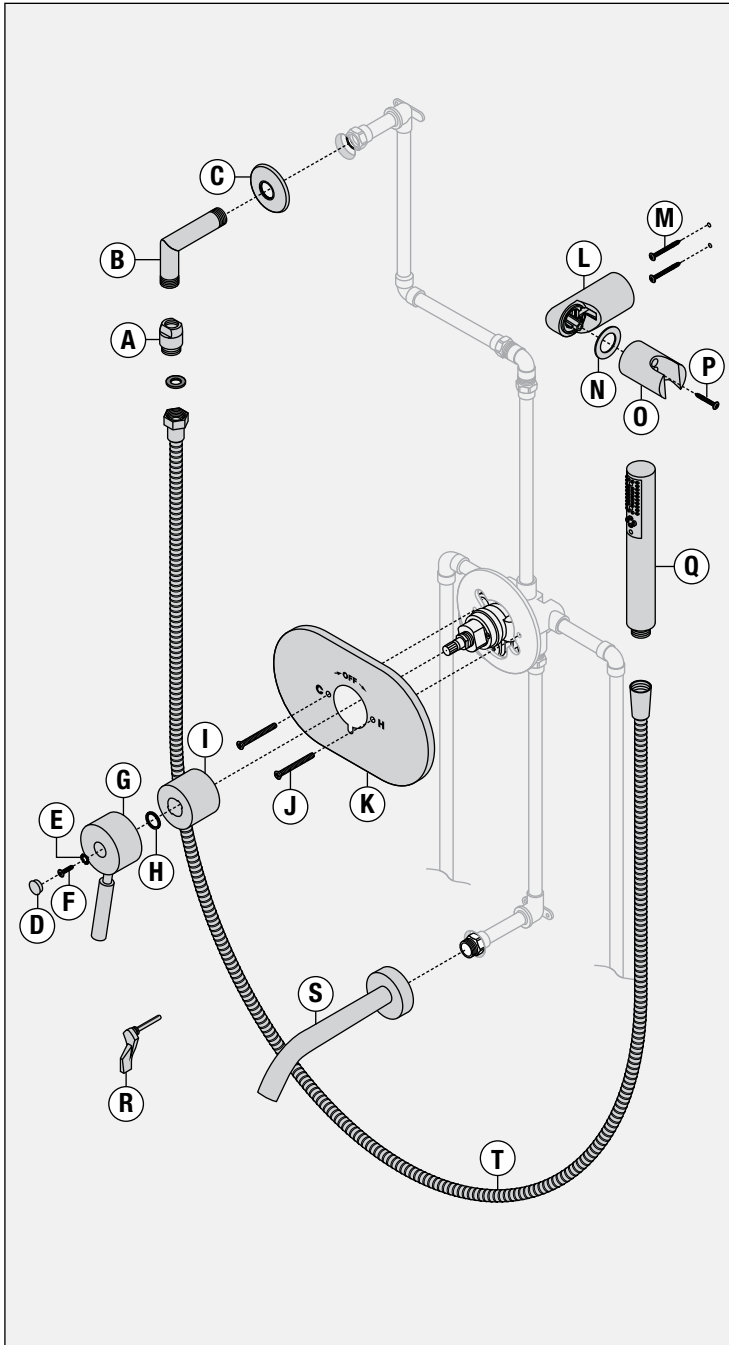


Measurements	
A	Ø 2 1/4", 57 mm
B	Female 1/2" IPS thread must be recessed 7/8" from finished wall
C	5 3/4", 146 mm
D	9 1/4", 235 mm
E	3 1/2", 89 mm
F	32", 813 mm
G	12", 305 mm
H	4 1/2", 114 mm
I	3 1/4", 83 mm
J	(Rough in) 2 3/8" ± 1/2", 60 mm ± 13 mm
K	Ø 2 3/8", 60 mm
L	1/2" NPT
M	1/2", 13 mm
N	8 1/2", 216 mm

Notes:

- 1) All dimensions measured from nominal rough-in (see J as reference).
- 2) Dimensions are subject to change without notice.

Parts Breakdown



Replacement Parts

Item	Description	Part Number
A T	Vacuum Breaker 60" Hose	EF-104
B C	Wall Elbow Flange	T-444-KIT
D E F G	Plug Button O-ring Set Screw Handle	T-251
H I	Locknut Dome Cover	T-19/20-PL
J K	Mounting Screws Shower Escutcheon	T-249A
L M N O P	Cradle Mount Cradle Mounting Screws Washer Cradle Arm Set Screw	T-545
Q	Hand Shower	432W
R	Diverter Handle	T-30M
S	Tub Spout	432TS

Notes:

- 1) Append -STN to part number for satin nickel finish.
- 2) Append -1.5 or -2.0 to hand shower for low flow.

Required for Installation

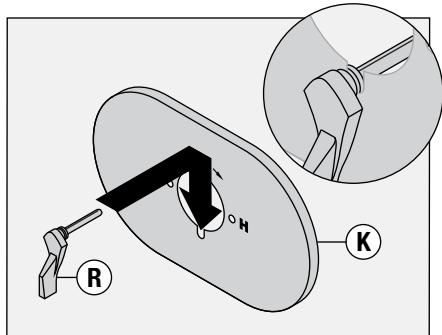
Adjustable wrench	
Phillips head screwdriver	
Plumber tape	

Installation

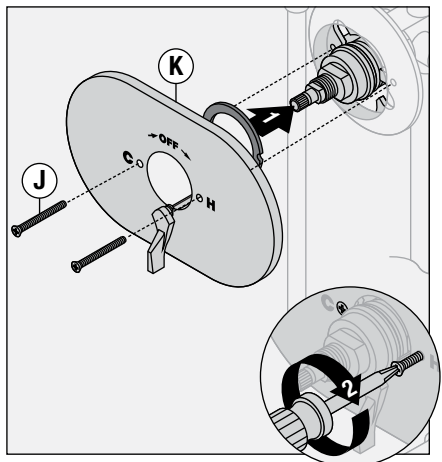
Note:

For valve body installation, please see valve body installation guide.

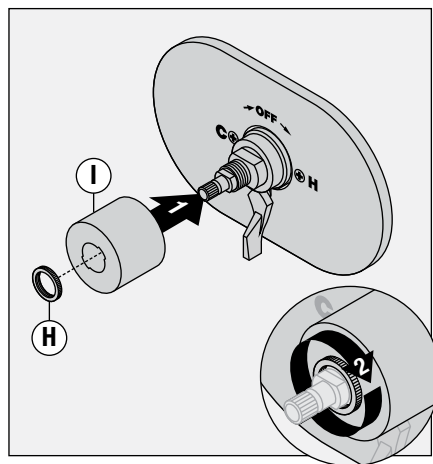
- 1) Attach secondary integral diverter (R) to shower escutcheon (K).



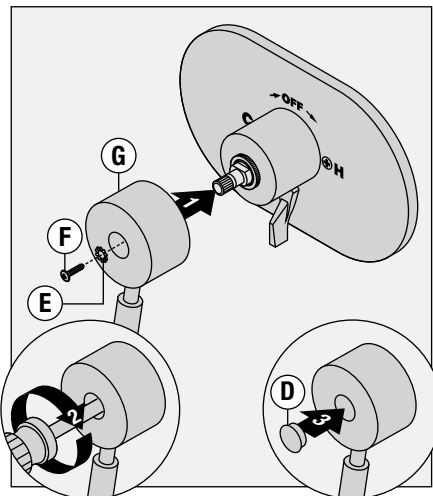
- 2) Install shower escutcheon (K) to shower valve. Secure with two screws (J).



- 3) Install shower dome cover (I) to shower valve and secure with lock nut (H).

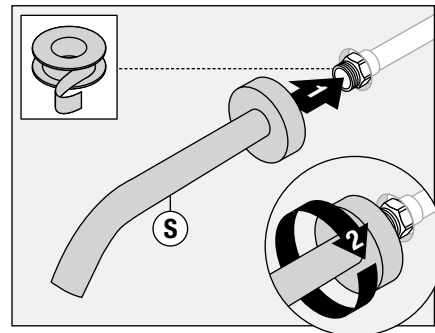


- 4) Install handle (G) to valve. Secure handle with star washer (E) and screw (F). Attach plug button (D) to handle.

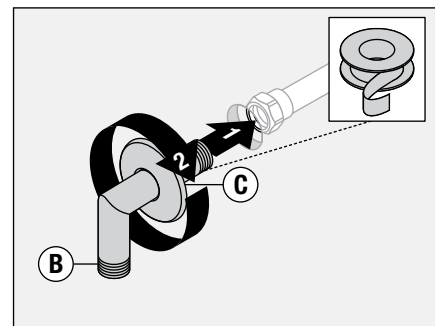


Notes: Handles should be facing the 6 o'clock position.

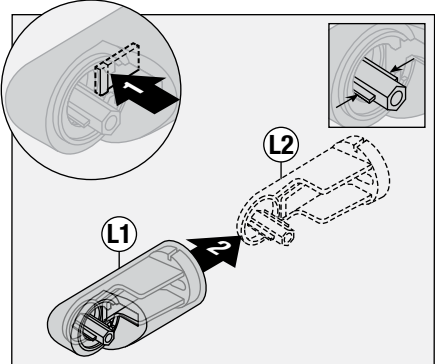
- 5) Install tub spout (S) to pipe fitting. Turn clockwise to secure.



- 6) Install wall elbow (B) and flange (C) to recessed pipe fitting. Turn elbow clockwise to tighten.



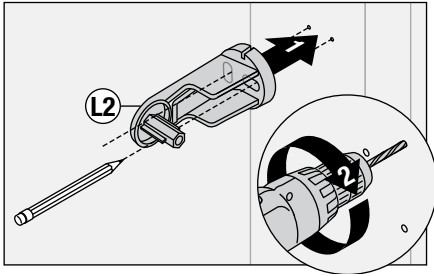
- 7) Press tab to remove mounting plate (L2) from cradle mount cover (L1).



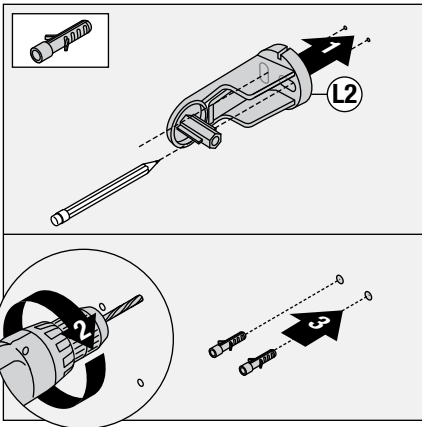
Note: Mounting plate (L2) center tabs must be horizontal for removal.

Installation

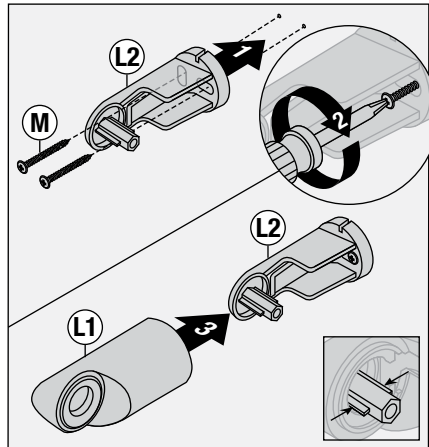
- 8) Place mounting plate (L2) in position, mark and drill 1/8" pilot holes into stud.



Option: Place mounting plate (L2) in position, mark and drill 3/16" holes into wall. Install anchors.

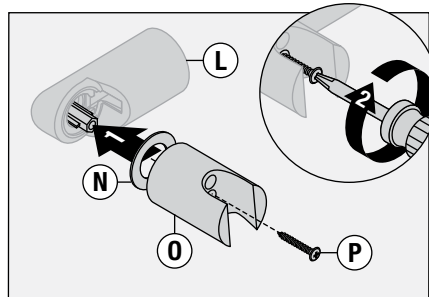


- 9) Install mounting plate (L2). Secure with two screws (M). Replace cradle mount cover (L1).

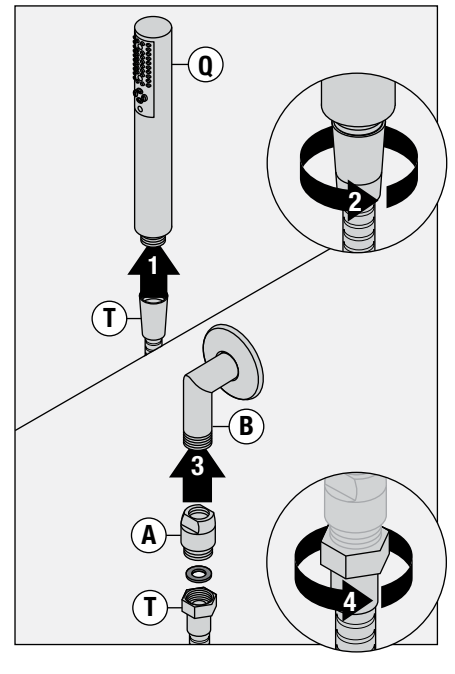


Note: Mounting plate (L2) center tabs must be horizontal for installation.

- 10) Attach cradle arm (O) and washer (N) to cradle mount (L). Secure with screw (P).



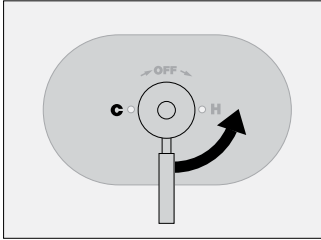
- 11) Attach large end of hand shower hose (T) to hand shower (Q). Attach small end of hand shower hose (T) and gasket to in-line vacuum breaker (A). Connect in-line vacuum breaker to wall elbow (B). Turn clockwise to tighten.



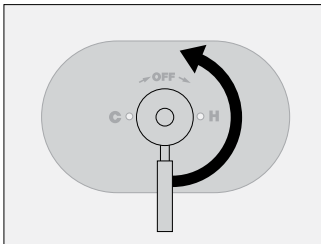
Operation

Temperature Control

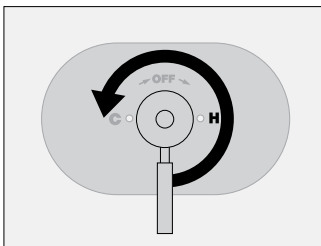
- 1) Turn shower handle counterclockwise approximately 1/4 turn to put valve in cold position.



- 2) Turn shower handle counterclockwise approximately 1/2 turn to put valve in warm position.

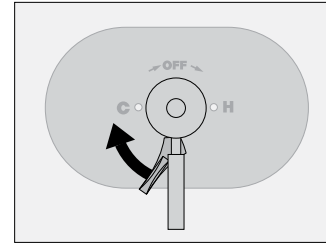


- 3) Turn shower handle counterclockwise approximately 3/4 turn to put valve in hot position.

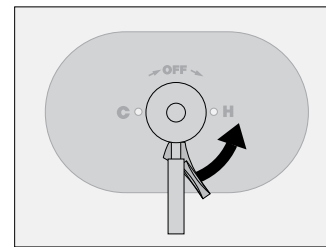


Diverter Control

- 1) Turn diverter left for tub spout operation.



- 2) Turn diverter right for hand shower operation.



Care and Cleaning

- 1) Clean finished trim area with a soft cloth using mild soap and water or a non-abrasive cleaner and then quickly rinse with water.

Troubleshooting Chart

Problem	Cause	Solution
Finish is spotting.	Elements in water supply may cause water staining on finish.	Clean finished trim area with a soft cloth using mild soap and water or a non-abrasive cleaner and then quickly rinse with water.