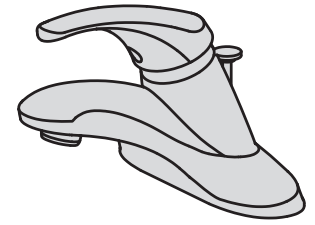




Symmetrix®



S-20-2
Standard handle

Lavatory Faucet S-20 Series Installation Brief

Feature Highlights

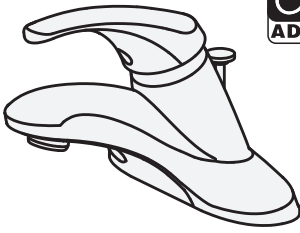

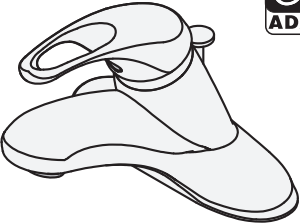

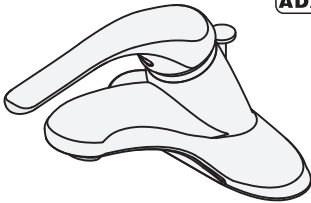

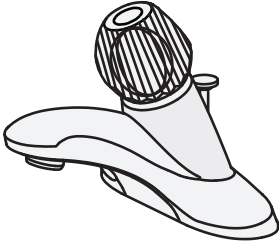
- Single lever faucet with red & blue indicators on handle
- Standard aerator, 2.2 gpm flow rate (8.3 L/min)
- Supply has 6 inch 3/8 inch copper tubing, 4 inch (102mm) centers
- Metal construction, polished chrome finish

Need Help?

Contact Symmons customer service at
(800) 796-6667, (781) 848-2250
Email: customerservice@symmons.com
Monday - Friday 7:30 am - 7:00 pm EST

Please check Symmons website for technical help, the latest product information and warranty policy.
Website: www.symmons.com/service

S-20 series handle options

Standard	LP	W	LCT
 	 	 	

Model Numbers

Append appropriate -suffix to model number.

- S-20 Faucet only with lift rod hole
- S-20-0Faucet only with no lift rod hole
- S-20-1Faucet with lift rod
- S-20-2Faucet with pop-up drain & lift rod
- S-20-2-G ... Faucet with grid strainer drain

Handle Options / Modifications

Append appropriate -suffix to model number.

- LP Loop handle with metal finish
- LCT Clear acrylic handle (only available with option BH, braided supply hose)
- W Lever handle with metal finish, 6 inch (152mm) handle with red & blue indicators on handle (Chrome only)

Finish Options / Modifications

- STN Satin nickel
- Polished chrome (standard finish)

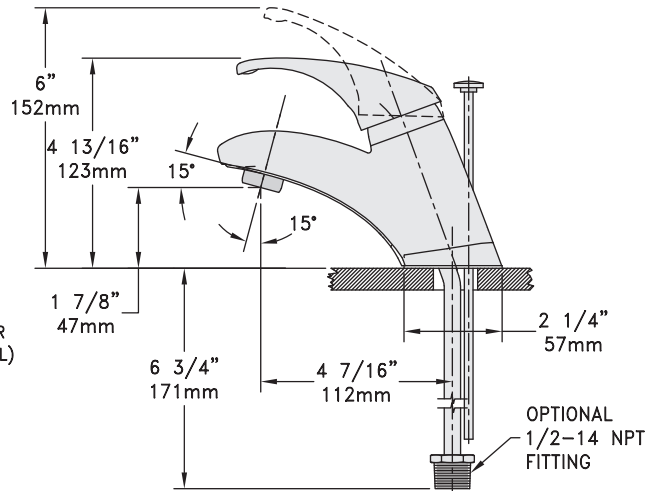
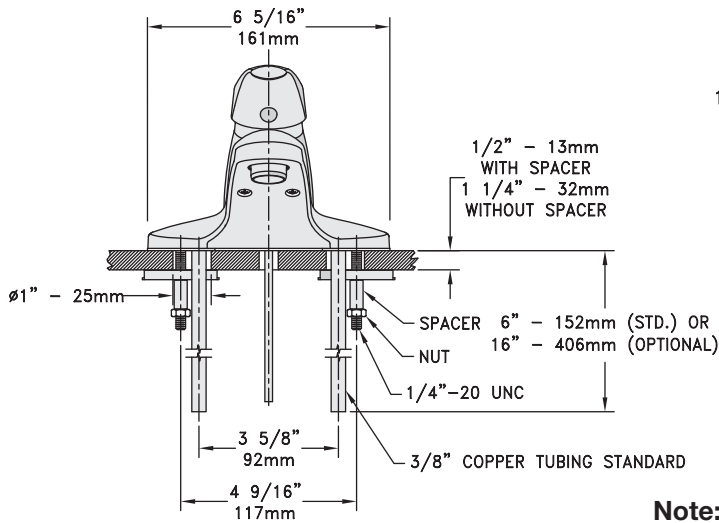
*Note (1) Handles with red/blue indicators are not available with decorative finishes.

Other Options

Append appropriate -suffix to model number.

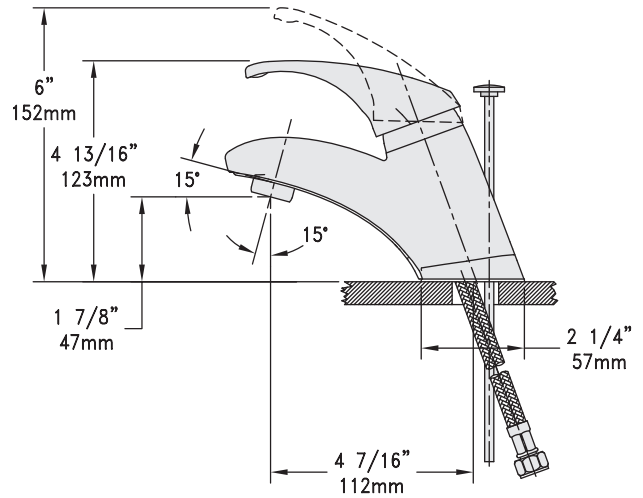
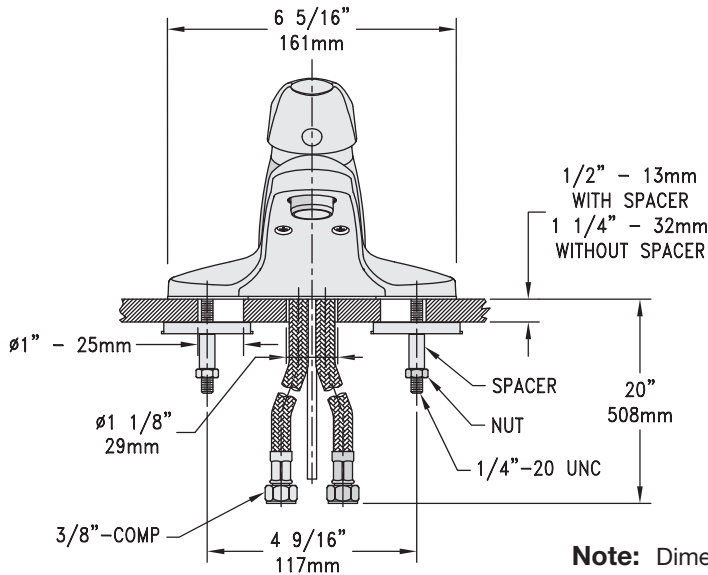
- LST 16 inch copper supply tubing
- BH 20 inch braided supply hose
- IPS 1/2 inch IPS connections
- OFG Offset grid strainer (model S-20-2-G only)
- 0.5 0.5 gpm (1.9 L/min) flow restrictor, vandal resist.
- 1.0 1.0 gpm (3.8 L/min) flow restrictor, vandal resist.
- 1.5 1.5 gpm (5.7 L/min) flow restrictor, vandal resist.
- VP Standard aerator is vandal resistant type

Dimensions Symmetrix Lavatory Faucet, S-20-2



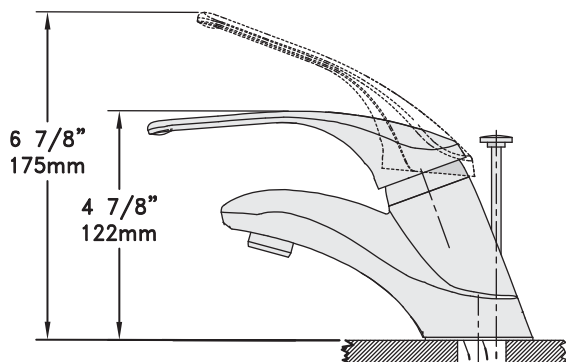
Note: Dimensions subject to change without notice.

Dimensions Symmetrix Lavatory Faucet, S-20-2-BH (with braided supply hose)

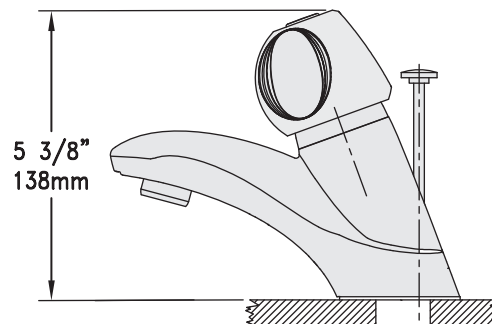


Note: Dimensions subject to change without notice.

Dimensions Symmetrix Lavatory Faucet, S-20-2-W (S-20 Series with optional lever handle, option W)



Dimensions Symmetrix Lavatory Faucet, S-20-2-LCT (S-20 Series with acrylic handle, option LCT)



Parts Assembly Symmetrix Lavatory Faucet, S-20 series

- KN-2 Compression ring
 - KN-3RB* Solid handle
 - KN-3BRB* Loop handle
 - KN-4 Cartridge
 - KN-23 Anchor bar (2)
 - KN-26 Mounting spacer (2)
 - KN-157 Plug button
 - LN-8* Valve cap
 - LN-11* Screw (2)
 - LN-34 Cartridge wrench
 - LN-135 6" lever handle with red/blue indicators
 - LN-363* Undercover plate
 - LN-370 Mounting gasket
 - LN-371 Cartridge housing assembly
 - L-22 Set screw
 - L-36 Mounting nut (2)
 - RL-154* Pop-up drain assembly (complete)
 - P-26 Grid drain assembly (complete)
- For Decorative Finish Faucets add suffix to parts marked with an asterisk as follows:
 Suffix -STN: Satin Nickel finish
 Suffix -BC: Brushed Chrome finish

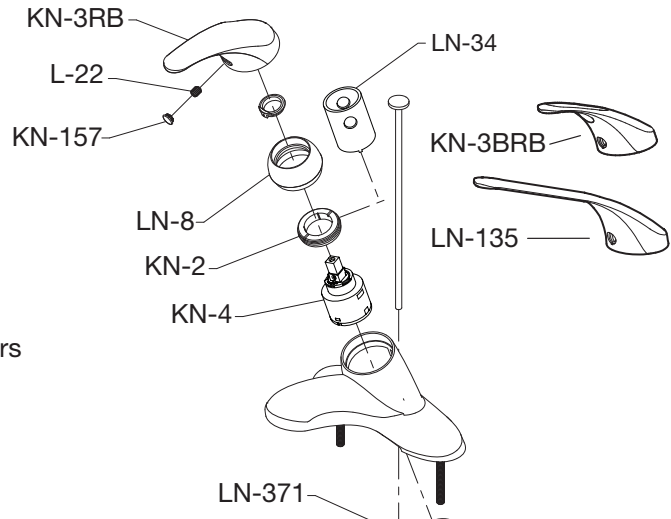
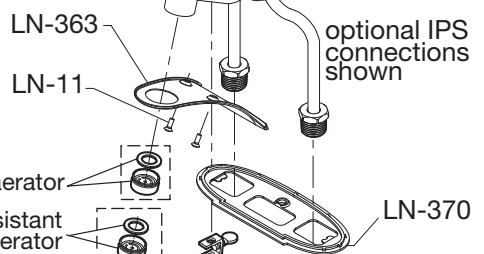

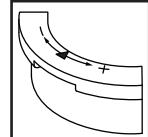
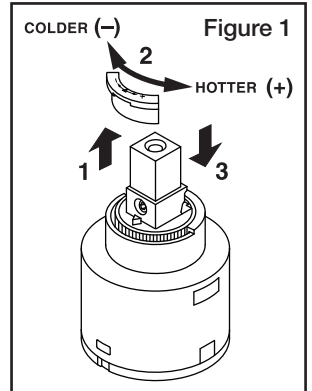
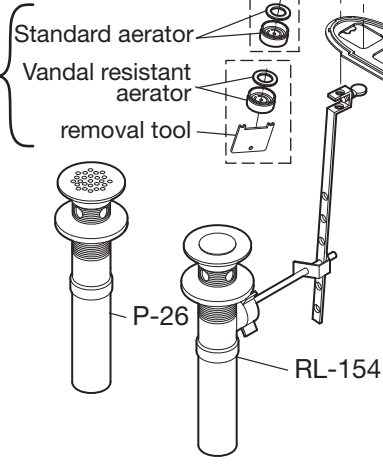


Figure 1



Aerator (flow regulator)	Part Number	
	Standard Aerators	Vandal Resistant with removal tool
2.2 gpm (8.3L/min)	LN-15*	LN-101*
1.5 gpm (5.7L/min)	FLR-110-1.5*	RL-288 (non-aerated)
1.0 gpm (3.8L/min)	FLR-110-1.0*	RL-288-VP-1.0 (non-aerated)
0.5 gpm (1.9L/min)	----	LN-100*
Removal tool part number, LL-60K		

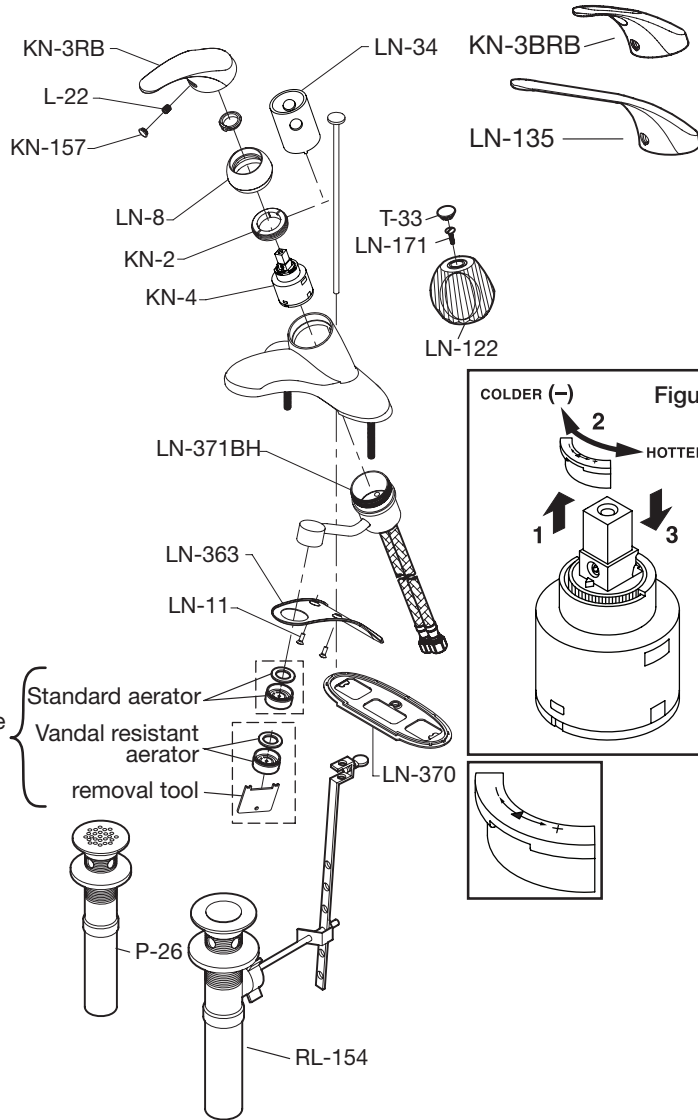
Reference chart




Parts Assembly Symmetrix Lavatory Faucet, S-20-BH Series

- KN-2 Compression ring
- KN-3RB* Solid handle
- KN-3BRB* Loop handle
- KN-4 Cartridge
- KN-23 Anchor bar (2)
- KN-26 Mounting spacer (2)
- KN-157 Plug button
- LN-8* Valve cap
- LN-11* Screw (2)
- LN-34 Cartridge wrench
- LN-122 Acrylic Handle
- LN-135 6" lever handle with red/blue indicators
- LN-171 Screw
- LN-363* Undercover plate
- LN-370 Mounting gasket
- LN-371BH Cartridge housing assembly
- L-22 Set screw
- L-36 Mounting nut (2)
- RL-154* Pop-up drain assembly (complete)
- P-26 Grid drain assembly (complete)
- T-33 Plug button

For Decorative Finish Faucets add suffix to parts marked with an asterisk as follows:
 Suffix -STN: Satin Nickel finish
 Suffix -BC: Brushed Chrome finish



Aerator (flow regulator)	Part Number	
	Standard Aerators	Vandal Resistant with removal tool
2.2 gpm (8.3L/min)	LN-15*	LN-101*
1.5 gpm (5.7L/min)	FLR-110-1.5*	RL-288 (non-aerated)
1.0 gpm (3.8L/min)	FLR-110-1.0*	RL-288-VP-1.0 (non-aerated)
0.5 gpm (1.9L/min)	----	LN-100*
Removal tool part number, LL-60K 		

For California Residents

WARNING: This product contains chemicals known to the State of California to cause cancer, birth defects, or other reproductive harm.

Symmons Industries, Inc. ■ 31 Brooks Drive ■ Braintree, MA 02184
 Phone: (800) 796-6667 ■ Fax: (800) 961-9621
 Website: symmons.com ■ Email: gethelp@symmons.com

