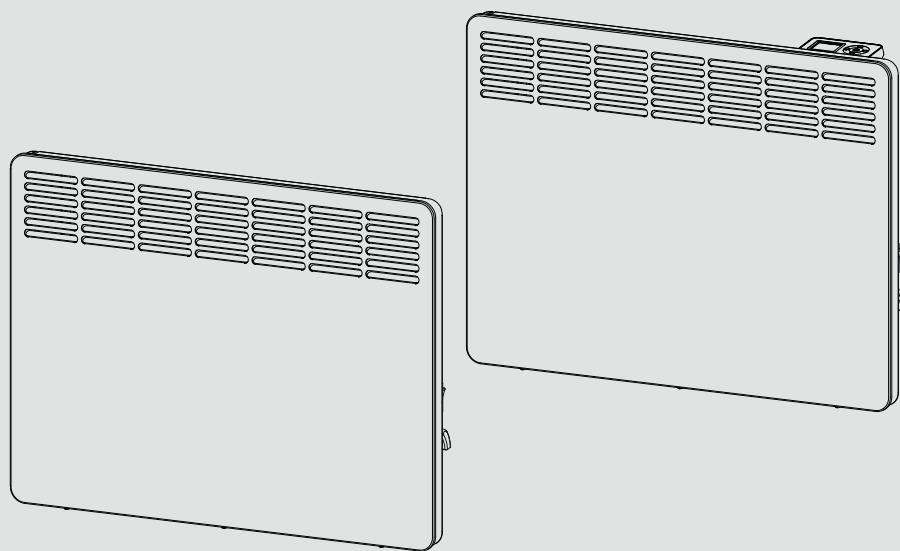


# OPERATION AND INSTALLATION FUNCIONAMIENTO E INSTALACIÓN UTILISATION ET INSTALLATION

Wall mounted convection heater | Convector de pared | Appareil de chauffage à convection mural

- » CNS 100-1 Trend
- » CNS 150-2 Trend
  
- » CNS 100-1 Plus
- » CNS 150-1 Plus
- » CNS 100-2 Plus
- » CNS 150-2 Plus
- » CNS 200-2 Plus
- » CNS 300-2 Plus



Certified to ANSI/UL Std. 1278  
Conforms to CAN/CSA Std. C22.2 No.46

Certificación con ANSI/UL Std. 1278  
Conforme a CAN/CSA Std. C22.2 No.46

Certifié à la norme ANSI/UL Std. 1278  
Conforme à la norme CAN/CSA Std. C22.2 No.46

**STIEBEL ELTRON**

**IMPORTANT INSTRUCTIONS**

**OPERATION**

<b>1. General information</b>	<b>3</b>
1.1 Safety instructions	3
1.2 Other symbols in this documentation	3
1.3 Information on the heater	3
1.4 Units of measurement	4
<b>2. Safety</b>	<b>4</b>
2.1 Intended use	4
2.2 General safety instructions	4
2.3 Test symbols	4
<b>3. Register your product</b>	<b>5</b>
<b>4. Heater description</b>	<b>5</b>
4.1 Turning the heater on and off	5
<b>5. CNS Trend operation</b>	<b>5</b>
5.1 Selecting the room temperature	5
5.2 Frost protection	6
<b>6. CNS Plus operation</b>	<b>6</b>
6.1 Programming unit	6
6.2 Standby mode	7
<b>7. Settings</b>	<b>7</b>
7.1 Operating lock	7
7.2 Standard display	7
7.3 Standard menu	7
7.4 Configuration menu	7
<b>8. Cleaning, care and maintenance</b>	<b>9</b>
<b>9. Troubleshooting</b>	<b>9</b>

**INSTALLATION**

<b>10. Safety</b>	<b>9</b>
10.1 General safety instructions	9
10.2 Instructions, standards and regulations	10
<b>11. Heater description</b>	<b>10</b>
11.1 Standard delivery	10
<b>12. Installation</b>	<b>10</b>
12.1 Installation site	10
12.2 Minimum clearances to hard surfaces	10
12.3 Installing the wall mounting bracket	10
12.4 Heater installation	11
12.5 Dismounting the heater	11
12.6 Electrical connection	11
<b>13. Commissioning</b>	<b>12</b>
<b>14. Troubleshooting</b>	<b>12</b>
<b>15. Heater handover</b>	<b>12</b>
<b>16. Specification</b>	<b>12</b>
16.1 Dimensions and connections	12
16.2 Wiring diagrams	13
16.3 Data tables	14
<b>17. Warranty</b>	<b>15</b>

# IMPORTANT INSTRUCTIONS

## SAVE THESE INSTRUCTIONS

- When using electrical appliances, basic precautions should always be followed to reduce the risk of fire, electric shock, and injury to persons, including the following:
  1. Read all instructions before installing or using this heater.
  2. This heater is hot when in use. To avoid burns, do not let bare skin touch hot surfaces. Keep combustible materials, such as furniture, pillows, bedding, papers, clothes, etc. and curtains at least 3 feet (1 m) from the front of the heater and keep them at least 3 feet (1 m) away from the sides and rear.
  3. Extreme caution is necessary when any heater is used by or near children or invalids and whenever the heater is left operating and unattended.
  4. Do not operate any heater after it malfunctions. Disconnect power at service panel and have heater inspected by a reputable electrician before reusing. Keep children under the age of 3 away from the heater if constant supervision cannot be guaranteed.
  5. Do not use outdoors.
  6. Do not insert or allow foreign objects to enter any ventilation or exhaust opening as this may cause an electric shock or fire, or damage the heater.
  7. Save these instructions.
- Children from the age of 3 to 7 may switch the heater on and off, provided they are supervised or have been instructed in the safe operation of the heater and understand any risks that may result. This is subject to the heater having been installed as described. Children from the age of 3 to 7 must not plug the power cable into its socket or adjust the heater.

- The heater may be used by children aged 8 and older and persons with reduced physical, sensory or mental capabilities or a lack of experience and know-how, provided that they are supervised or they have been instructed on how to use the heater safely and have understood the potential risks.
- Children must never play with the heater. Children must never clean the heater or perform user maintenance unless they are supervised.
- Parts of the heater can get very hot and may cause burns. Particular caution is advised when children or vulnerable persons are present.
- To prevent the heater from overheating, never cover it with anything.
- Never install the heater directly below a wall socket.
- In the case of a permanent hard-wired connection, ensure the heater can be separated from the power supply by an isolator that disconnects all poles with at least 1/8" (3 mm) contact separation.
- The power cable must only be replaced (for example if damaged) by a qualified contractor authorized by the manufacturer, using an original spare part.
- Secure the heater as described in section 12.4, "Heater installation", pg. 11.

# OPERATION

## 1. General information

The chapters "Special information" and "Operation" are intended for both users and qualified contractors.

The chapter "Installation" is intended only for qualified contractors.



**Note**

Read these instructions carefully before using the heater and retain them for future reference. Pass on the instructions to a new user if required.

### 1.1 Safety instructions

#### 1.1.1 Structure of safety instructions



**KEYWORD Type of risk**

Here, possible consequences are listed that may result from failure to observe the safety instructions.

► Steps to prevent the risk are listed.

#### 1.1.2 Symbols, type of risk

Symbol	Type of risk
	Injury
	Electrocution
	Burns (burns, scalding)

#### 1.1.3 Keywords

KEYWORD	Meaning
DANGER	Failure to observe this information will result in serious injury or death.
WARNING	Failure to observe this information may result in serious injury or death.
CAUTION	Failure to observe this information may result in non-serious or minor injury.

### 1.2 Other symbols in this documentation



**Note**

General information is identified by the adjacent symbol. ► Read these texts carefully.

Symbol	Meaning
	Material losses (heater damage, consequential losses and environmental pollution)
	Appliance disposal

► This symbol indicates that you have to do something. The action you need to take is described step by step.

### 1.3 Information on the heater

Symbol	Meaning
	Never cover the heater

1.4 Units of measurement



Note

All measurements are given in inches (mm) unless stated otherwise.

2. Safety

2.1 Intended use

This heater is designed to heat living areas.

The heater is intended for domestic use. It can be used safely by untrained persons. The heater can also be used in a non-domestic environment, e.g. in a small business, as long as it is used in the same way.

Any other use beyond that described shall be deemed inappropriate. Observation of these instructions and of the instructions for any accessories used is also part of the correct use of this heater.

2.2 General safety instructions



DANGER Electrocutation

- Before cleaning, make sure the power has been turned off at the circuit breaker panel and that the heating element of the heater is cool.



DANGER Fire

Never operate this heater ...

- if the minimum clearances to adjacent object surfaces are not maintained, for example to furniture, net curtains, curtains, textiles or other flammable materials (for minimum clearances, see "specification/dimensions and minimum clearances").
- in rooms where the appliance is at risk from fire or explosion as a result of chemicals, dust, gases or vapors.
- in the direct proximity of pipes or containers that carry or contain flammable or explosive materials.
- if work such as laying cables, grinding or sealing is carried out in the installation room.
- if sprays, floor polish or similar products containing gasoline are used. Vent the room sufficiently before heating.
- if an appliance component is damaged, the appliance has fallen over or already had a fault.
- outdoors.



DANGER Fire

Never place any flammable, combustible or insulating objects or materials, such as laundry, blankets, magazines, containers with floor polish or gasoline, spray cans or similar on the appliance or in direct proximity to it.



WARNING Fire

Ensure that no foreign bodies enter the ventilation air and extract air apertures. This could result in electric shock or fire or in damage to the appliance.



WARNING Fire

To prevent fires ensure that the air inlets and outlets are never blocked. Never position the appliance on soft surfaces, such as a bed, as this could result in the apertures becoming blocked.



WARNING Burns

- Never place any flammable, combustible or insulating objects or materials on the heater or in direct proximity to it.
- Ensure that the air intake and discharge are never blocked.
- Never place any objects between the heater and the wall.



WARNING Injury

- Keep children under the age of 3 away from the heater if constant supervision cannot be guaranteed.
- Children from the age of 3 to 7 may switch the heater on and off, provided they are supervised or have been instructed in the safe operation of the heater and understand any risks that may result. This is subject to the heater having been installed as described. Children from the age of 3 to 7 must not plug the power cable into its socket or regulate the heater.
- The heater may be used by children aged 8 and older and persons with reduced physical, sensory or mental capabilities or a lack of experience and know-how, provided that they are supervised or they have been instructed on how to use the heater safely and have understood the potential risks.
- Children must never play with the heater. Children must never clean the heater or perform user maintenance unless they are supervised.



WARNING Injury

In closed rooms, temperatures can rapidly reach high levels. Ensure constant supervision if the heater is operated in a small room and the persons within that room cannot regulate the heater or leave the room on their own.



CAUTION Burns

Parts of the heater can get very hot and may cause burns. Particular caution is advised when children or vulnerable persons are present.



WARNING Overheating

To prevent the heater from overheating, never cover it with anything.



Material losses

- Ensure that the power cable is not touching the heater.
- Never stand on the heater.
- Never operate the heater outdoors in the open air.

2.3 Test symbols

See type plate on the heater.

# Register your product

## 3. Register your product



You must register this product within 90 days of purchase on our web site in order to activate the standard warranty or to be eligible for the extended warranty. Go to our web site at [www.stiebel-eltron-usa.com](http://www.stiebel-eltron-usa.com) and click on register your product.

Before beginning the registration process, we suggest that you gather the necessary information which will be as follows:

- Type, Example: CNS 150-1 Plus (from the white label that is on the right side of the unit)
- Number listed after "No."
- Place of Purchase
- Purchase Date
- First & Last Name
- Email address
- Physical Address
- Phone Number

If you have any questions concerning the registration process or warranty options, please contact Stiebel Eltron USA directly at 800.582.8423.

## 4. Heater description

CNS Trend/Plus are wall mounted electric convection heaters.

The heater is suitable for use as a standalone heating system, or can be used in spring and autumn and as a booster heater in smaller rooms.

The air inside the heater is heated by a heating element and expelled silently via natural convection through the air discharge at the top. Cool indoor air is drawn in through the air intake on the underside of the heater.

When the set room temperature is reached, it is maintained by periodic heating.

### 4.1 Turning the heater on and off



**Note** For a short time after initial start-up, and after extended periods without usage, a smell may briefly develop.

The heater is ready for operation as soon as it has been mounted to the wall and plugged into a wall outlet (120 V models) or hard-wired to an appropriately sized circuit breaker (optional for 120 V models, required for 208-240 V models).

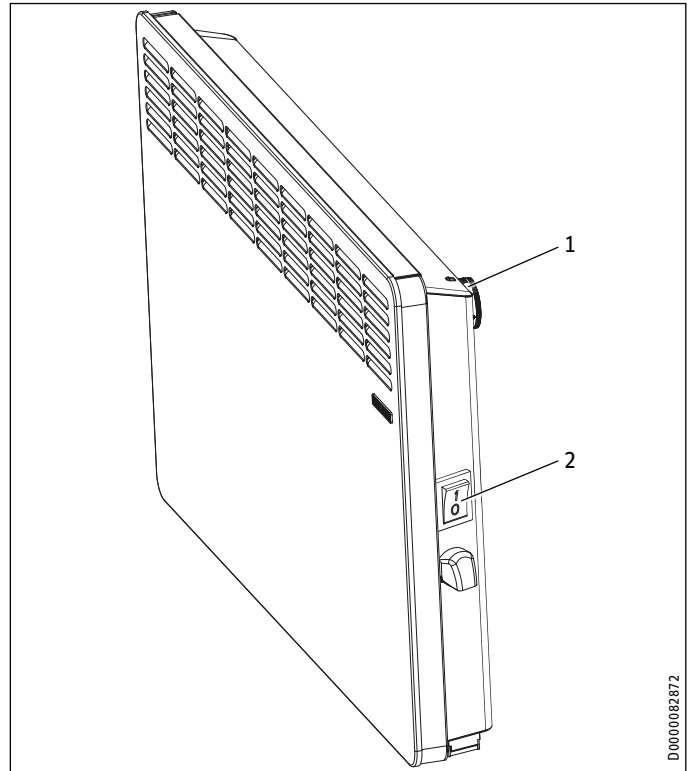
- ▶ Turn the heater on or off using the ON/OFF switch on the right-hand side of the unit.
- ▶ Turn the heater off when not in use for longer periods (e.g. during the summer months).

For CNS Plus, all settings remain intact after turning off or after an interruption to the power supply. These models are equipped with a power reserve that allows the day of the week and the time to be saved for several hours.



**Note** If the CNS Plus has been turned off for a longer time with a time program activated, you will be prompted to set the day and time after switching it back on. Until this data is entered, the heater will operate in comfort mode.

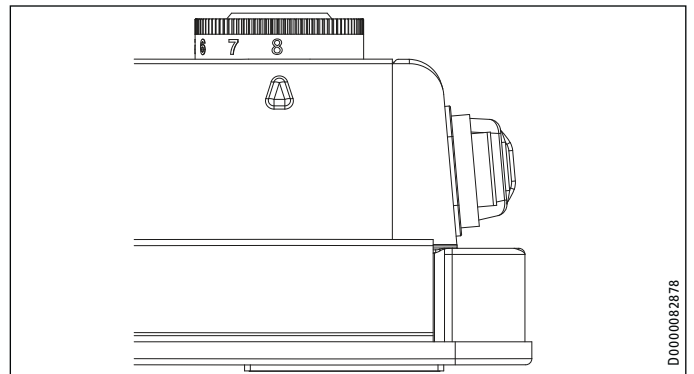
## 5. CNS Trend operation



- 1 Temperature selector
- 2 ON/OFF switch

### 5.1 Selecting the room temperature

- ▶ Set the required room temperature with the temperature selector. A user may select a temperature anywhere in the available range from 41-86 °F (5-30 °C).



When the desired the room temperature has been reached, it will be maintained by intermittent heating.

For room temperatures to be maintained effectively, the heater must have sufficient power to meet the minimum required heating demand of the space.

# OPERATION

## CNS Plus operation

If several heaters are installed in a room, the selected temperature at each appliance can be different.



### Note

To avoid excessive power consumption when windows are open, switch the heater off while venting.

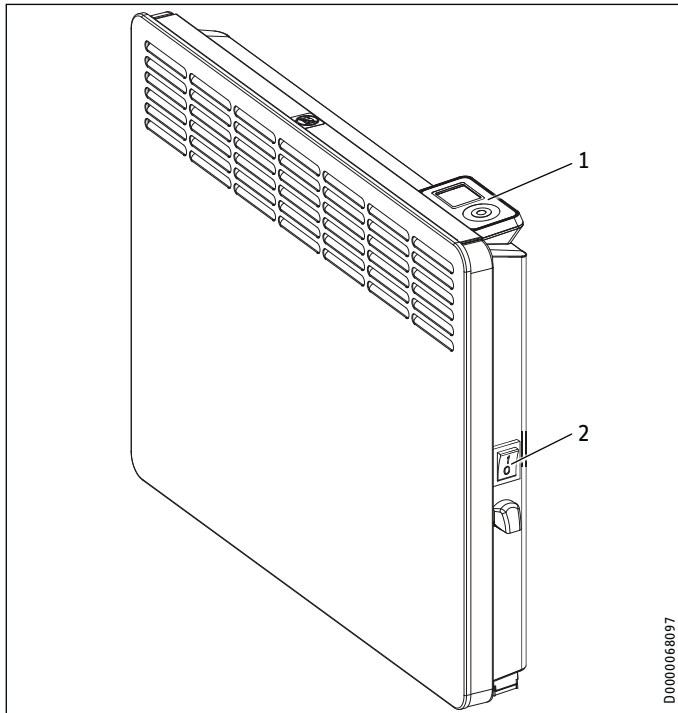
## 5.2 Frost protection



► Turn the temperature selector to the frost symbol.

In this position, the heater activates automatically if the room temperature falls below the frost protection temperature of 45 °F (7 °C).

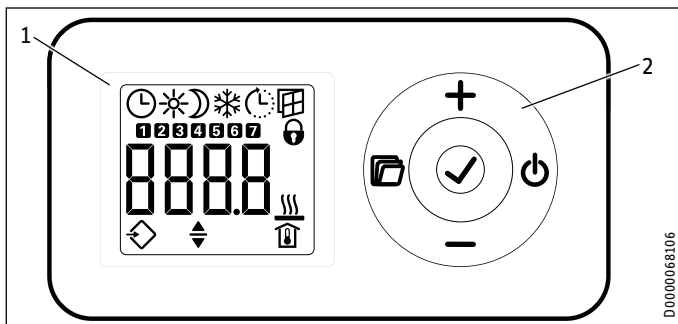
## 6. CNS Plus operation



- 1 Programming unit
- 2 ON/OFF switch

### 6.1 Programming unit

The heater is operated using the programming unit, located at the top right.



- 1 Display

## 2 User interface

### 6.1.1 User interface

Button	Designation	Description
	"Standby" button	Switches on the programming unit; Puts programming unit and heater into standby mode
	"OK" button	Makes selections; Confirms settings
	"Menu" button	Calls up and exits menu
	"+" button	Calls up menu items; Changes settings
	"-" button	Calls up menu items; Changes settings

### 6.1.2 Display




If there is no user input for 20 seconds, the backlight switches off. Press any button to switch the backlight on again.

### Symbols

Symbol	Description
	Time display: Indicates the current time, or a programmed start time Time program activated: Heats in accordance with the enabled time program.
	Comfort mode: The heater maintains the set comfort temperature. Standard comfort setting: 70 °F (21.0 °C). Use this setting for a comfortable room temperature when someone is present.
	Night mode: The heater maintains the selected lower nighttime temperature. Standard setting: 64 °F (18.0 °C). Use this setting at night or when absent for several hours.
	Frost protection: The frost protection symbol is displayed if the heater's temperature is set to 45 °F (7.0 °C). Use this setting to protect an unoccupied room from frost damage.
	Adaptive start: With a time program activated, the heater activation times are adjusted to ensure that the appropriate set room temperature is fully reached by the programmed start time. Conditions: The "Adaptive start" function is enabled (see chapter "Settings / Standard menu").
	Window open detection: To avoid unnecessary energy consumption while venting, the heater automatically switches to frost protection mode for one hour if a window is opened. The "window open detection" symbol flashes. After venting, frost protection mode can be terminated manually by pressing "+" or "OK". The heater then heats to the set room temperature again. The following conditions must be fulfilled for the "Window open detection" function to be activated: - The set room temperature is set to 59 °F (15 °C) or higher. - The temperature at the heater falls abruptly by at least 5.4 °F (3 °C). - Window open detection is switched on (see chapter "Settings / Standard menu").
	Operating lock: The user interface is locked.
	Heating enabled: The unit is heating to maintain the set room temperature.

# OPERATION

## Settings

Symbol	Description
	Room temperature display
	Editable parameter: The parameter shown can be changed using "+" and "-".
	Days of the week: 1 = Monday, 2 = Tuesday ... 7 = Sunday

### 6.2 Standby mode



#### Material losses

In standby mode, the heater will not produce heat under any circumstances. Frost protection is deactivated until the heater is taken out of standby mode.

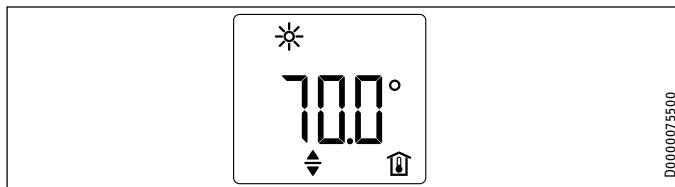
- ▶ To switch on the programming unit, press "Standby". The standard display appears.
- ▶ To put the programming unit and the heater into standby mode, press "Standby". The display shows "----".

## 7. Settings

### 7.1 Operating lock

- ▶ To lock or unlock the user interface, press and hold "+" and "-" simultaneously for 5 seconds.

### 7.2 Standard display



The standard display is continuously shown. If no user input is detected for longer than 20 seconds while in the menu, the device automatically switches to the standard display.


The standard display shows the current room set temperature, as well as the "Editable parameter" symbol. You can use "+" and "-" to change the room set temperature.






If the room set temperature corresponds to one of the values established for the comfort or night mode temperature settings, the symbol for the corresponding operating mode (comfort mode, night mode) appears in the menu bar.

The room set temperature can also be changed manually with a time program active. The changed set room temperature is maintained until the next programmed switching point is reached.

### 7.3 Standard menu

To access the standard menu, briefly press "Menu". You can now call up the following menu items:

Display	Description
 --:--	Select day of the week and time

Display	Description
 70.0°	Select comfort temperature setting The comfort temperature must be set at least 1°F (0.5°C) higher than the night mode temperature.
 64.0°	Select night mode temperature setting The night mode temperature must be set at least 1°F (0.5°C) lower than the comfort temperature.
 OFF	Switch "Window open detection" function on and off
 OFF	Select time program (Pro1, Pro2, Pro3, off)
 OFF	Switch "Adaptive start" function on and off

To change the setting of a menu item, call the relevant menu item up using "+" and "-". Press "OK".

As soon as the "Editable parameter" symbol appears, you can change the setting of the menu item with "+" and "-". Press "OK" to save the setting.

To exit the standard menu, press "Menu". The standard display appears.

### 7.4 Configuration menu

Display	Description
I1-I2	Actual values
Pro1-Pro3	Time programs
P1-P5	Parameter

In the configuration menu, you can call up actual values, set time programs and adjust parameters.

To access the configuration menu, press and hold "Menu". After approx. 3 seconds, actual value I1 is displayed.

Use "+" and "-" to switch between the individual actual values, time programs, and parameters.

To exit the configuration menu, press "Menu". The standard display appears.

#### 7.4.1 Actual values

The following actual values can be called up:

Display	Description	Unit
I1	Actual room temperature	[°C]   [°F]
I2	Relative heating time (The counter can be reset via parameter P5.)	[h]



#### Note

The counter for relative heating time (I2) counts in complete hours how long the heater heats for. When the heater is switched off, any heating phase of less than 60 minutes is not recorded.

# OPERATION

## Settings

### 7.4.2 Time programs

Three time programs are available. Time programs Pro1 and Pro2 are pre-configured at the factory. Time program Pro3 can be set according to your individual requirements.

Display	Description
Pro1	Time program "Daily" - Repeated: Monday to Sunday
Pro2	Time program "Weekdays" - Repeated: Monday to Friday
Pro3	Time program "User defined" - up to 14 comfort phases, freely configurable



#### Note

To use a time program, select the required time program from the standard menu (See section 7.3, "Standard menu", pg. 7).



#### Note

Ensure the day of the week and the time are set correctly when setting the time programs.



#### Note

The following applies to all time programs (Pro1, Pro2, Pro3):

If the end time is later than 23:59 h, the end time will automatically be moved to the next day of the week. The comfort phase is maintained past midnight and will end on the next day at the set end time.

### Time programs Pro1 and Pro2

You can specify the comfort mode start and end times with time programs Pro1 and Pro2. During this time period, the heater heats to the set comfort temperature. Outside this specified time period, the heater operates in night mode. This results in a comfort phase and a night phase, which are repeated daily (Pro1) or on every working day (Pro2).

These phases are factory-set as follows:

- 08:00 am - 10:00 pm: Comfort mode
- 10:00 pm - 08:00 am: Night mode



#### Note

When time program Pro2 is enabled, the heater operates during weekends exclusively in night mode.

To adapt time programs Pro1 and Pro2 according to your needs, proceed as follows:

- ▶ In the configuration menu, use "+" and "-" to call up the required time program.
- ▶ Press "OK".  
The start time for comfort mode is displayed.
- ▶ Use "+" and "-" to set the required start time.
- ▶ Press "OK".  
The end time for comfort mode is displayed.
- ▶ Use "+" and "-" to set the required end time.
- ▶ Press "OK" to save.

### Time program Pro3

You can use time program Pro3 to specify up to 14 separate comfort phases which are repeated weekly.

To configure a comfort phase in time program Pro3, proceed as follows:

- ▶ In the configuration menu, use "+" and "-" to call up time program Pro3.
- ▶ Press "OK".  
The display shows "3---".
- ▶ Press "OK".  
A day of the week or a group of days is displayed.
- ▶ Use "+" and "-" to select the required day or group of days.
- ▶ Press "OK".  
The start time for comfort mode is displayed.
- ▶ Use "+" and "-" to set the required start time.
- ▶ Press "OK".  
The end time for comfort mode is displayed.
- ▶ Use "+" and "-" to set the required end time.
- ▶ Press "OK".  
Comfort phase "3-01" has been configured.
- ▶ To configure a further comfort phase, use "+" and "-" in time program Pro3 to select display "3---". Proceed as described above.



#### Note

To reset the selected comfort phases, activate parameter P4.

- ▶ Please note that activating parameter P4 resets all time programs (Pro1, Pro2, Pro3) to the factory setting.

### 7.4.3 Parameters

You can call up the following parameters:

Display	Description	Options
P1	Room temperature offset	±3 °C   ±5 °F
P2	Time format	12 h   24 h
P3	Temperature display units	°C   °F
P4	Reset the time programs (Pro1, Pro2, Pro3).	on   off
P5	Reset relative heating time	on   off

To change the value of a parameter, use "+" and "-" to call up the relevant parameter. Press "OK".

As soon as the "Editable parameter" symbol appears, you can change the parameter value with "+" and "-". Press "OK" to save the selected value.

#### P1: Room temperature offset

Uneven temperature distribution in the room can result in a difference between displayed actual temperature I1 and the room temperature you measure. To compensate for this difference, a room temperature offset of ±5 °F (±3 °C) can be set via parameter P1.

Example: The heater indicates I1 = 70 °F (21.0 °C). You have measured a room temperature of 68 °F (20.0 °C). There is a difference of 2 °F (1.0 °C).

- ▶ To compensate for the difference, select an offset of P1 = -2.0 (-1.0).



### P2: Time format

Parameter P2 allows you to specify whether the time is displayed in 12 hour or 24 hour format.

### P3: Temperature display units

Parameter P3 is used to specify whether the room temperature is displayed in degrees Fahrenheit [°F] or Centigrade [°C].

### P4: Reset time programs

Activating parameter P4 resets all time programs (Pro1, Pro2, Pro3) to the factory setting.

### P5: Reset relative heating time

Activating parameter P5 resets the counter for relative heating time (I2).

## 8. Cleaning, care and maintenance

The heater contains no user serviceable parts.



### Material losses

- Never spray cleaning spray into the air slot.
  - Ensure that no moisture can enter the heater.
- 
- If a pale brownish discoloration appears on the heater casing, wipe it off as soon as possible with a damp cloth.
  - Clean the heater when cold with ordinary cleaning products. Avoid abrasive or corrosive cleaning products.

## 9. Troubleshooting

Problem	Cause	Solution
Room does not get warm enough. Heater does not get hot.	Temperature set too low on the heater.	Check the temperature set on the heater. Adjust if necessary.
	No power supply.	Check position of the ON/OFF switch. Check that 120 V units are securely plugged into wall outlet. Check that hard-wired units' connected circuit breaker hasn't tripped. Reset if necessary.
Room does not get warm enough although the heater is hot.	Overheating. High limit safety cut-out limits heating output.	Eliminate the cause (dirt or obstructions at the air intake or discharge). Observe minimum clearances.
	Heat demand of the room is higher than the heater output.	Reduce heat losses (Close windows and doors. Avoid constant venting.)
The room gets too hot.	Heater temperature is set too high.	Check the selected room temperature. Adjust if necessary.

Problem	Cause	Solution
Window open detection does not respond (Plus models only).	Heater does not detect a pronounced temperature drop when venting. (Window open detection requires a previously stable room temperature.)	Wait a while after making settings on the heater, until the room temperature has fully stabilized.  Avoid obstructions to air changes between heater and indoor air.  Manually switch the heater to standby mode for the duration of venting.
	Window open detection is not enabled.	Switch on window open detection in the standard menu.
"Adaptive start" function does not work as required. (Plus models only)	This function is only effective with a time program activated.	Use the time programs for optimized heating convenience.
	Severely fluctuating room temperature or the heater learning procedure has not been completed.	Wait a few days for the behavior to stabilize.
"Adaptive start" function is not enabled.		Switch on the "Adaptive start" function in the standard menu.
"Err" or "E..." is displayed. (Plus models only)	Internal fault detected.	Notify a qualified contractor.

If you cannot fix the problem, contact your qualified contractor. To facilitate and speed up your request, provide the serial number from the type plate (000000-0000-000000).

# INSTALLATION

## 10. Safety

Only a qualified contractor should carry out installation, commissioning, maintenance and repair of the heater.

### 10.1 General safety instructions

We guarantee trouble-free function and operational reliability only if original accessories and spare parts intended for the heater are used.



#### DANGER Electrocutation

Carry out all electrical connection and installation work in accordance with all national, state and local building code.



#### CAUTION Burns

- Only mount the heater on a vertical wall that is temperature-resistant to at least 185 °F (85 °C).
- Maintain the minimum clearances to adjacent objects.

# INSTALLATION

## Heater description



### Material losses

- If connecting the heater via a wall outlet plug, ensure that it is easily accessible once the heater has been installed.
- Never install the heater directly below a wall socket.
- Ensure that the power cable is not in contact with any heater components.

## 10.2 Instructions, standards and regulations



### Note

Observe all applicable national and regional regulations and instructions.

## 11. Heater description

### 11.1 Standard delivery

The following are delivered with the heater:

- Wall mounting bracket (hooked into the heater)
- Power cord with 120 V plug (120 V models only, attached)

## 12. Installation

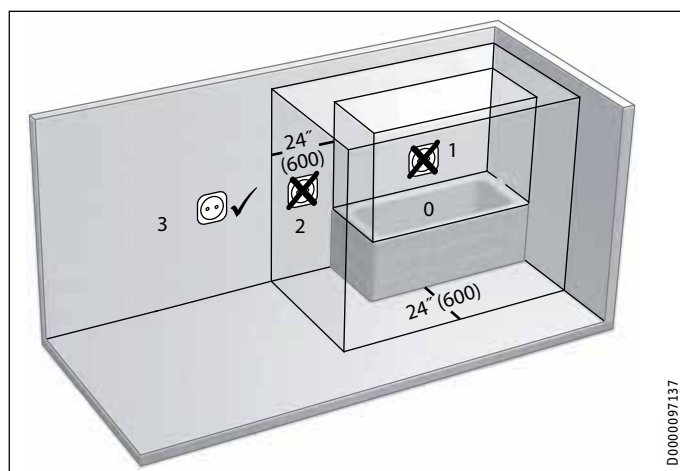
### 12.1 Installation site

#### Installation in bathrooms



### WARNING Electrocutation

When installing the heater in rooms with a bath and/or shower, the heater may only be connected to a standard socket or hard-wired outside safety zones 0, 1 and 2. Any electrical connections must be at least 24" (600 mm) away from a bath or shower. If in doubt, consult a qualified contractor.



Electrical safety zones in the bathroom

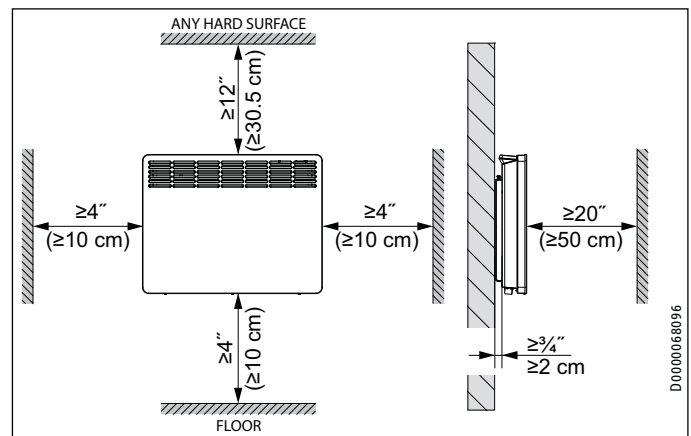
### 12.2 Minimum clearances to hard surfaces



### WARNING Fire

Combustible materials such as furniture, papers, clothes and curtains must be kept at least 3 feet (0.9 m) from the heater.

Never place any flammable, combustible or insulating objects or materials, such as laundry, blankets, magazines, containers with floor polish or gasoline, spray cans or similar on the appliance or in direct proximity to it.



### 12.3 Installing the wall mounting bracket

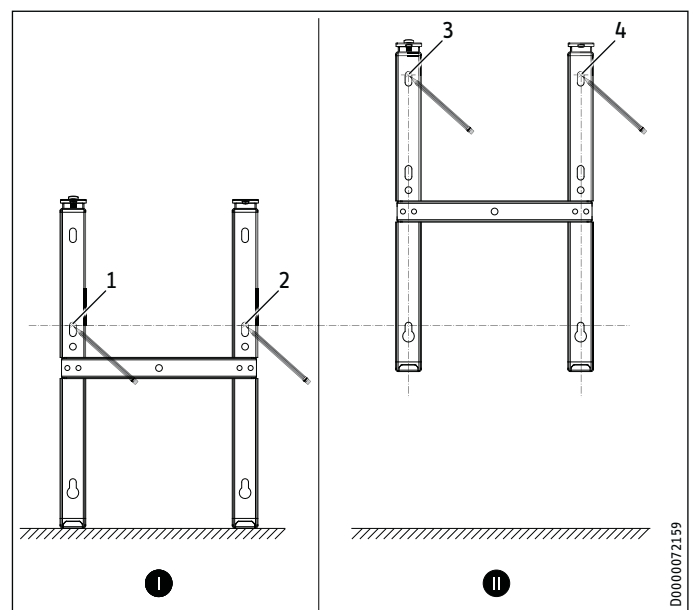
The heater is intended for wall mounting using the supplied wall mounting bracket.

Never install the heater directly below a wall outlet.



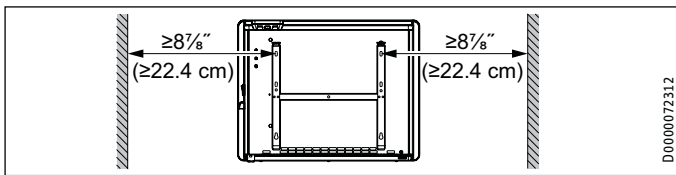
### Note

- The wall mounting bracket can be used as a template for wall mounting. This ensures sufficient clearance from the floor.
- Use a level if the floor is uneven or sloping.



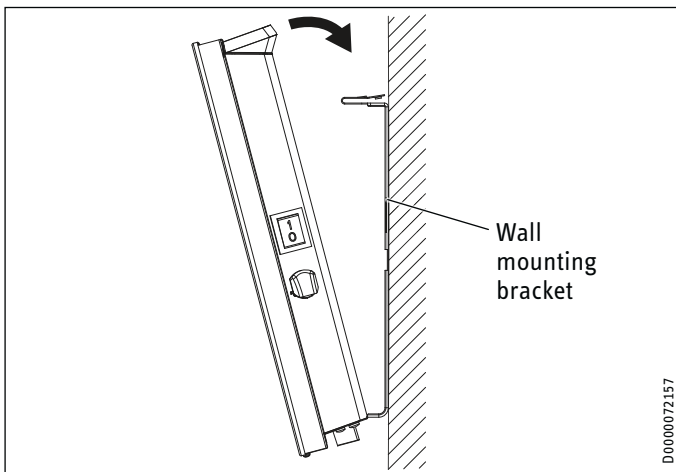
# INSTALLATION

## Installation

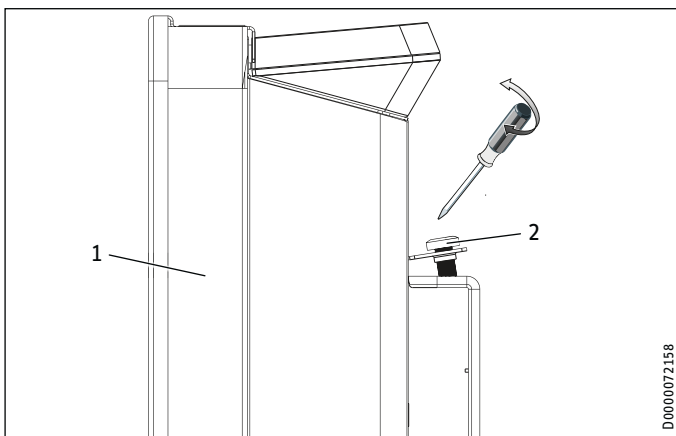


- ▶ Unhook the wall mounting bracket from the heater.
- ▶ Place the centered wall mounting bracket horizontally on the floor. Mark holes 1 and 2.
- ▶ Lift up the wall mounting bracket so that its lower holes line up with the markings you have just made on the installation wall.
- ▶ Mark holes 3 and 4 on the installation wall.
- ▶ Drill the holes at the 4 markings.
- ▶ Secure the wall mounting bracket with suitable fixing materials (screws, wall anchors). With the vertical slots, you can compensate for an offset mounting hole.

### 12.4 Heater installation



- ▶ Hook the heater onto the bottom tabs of the wall mounting bracket using the slots in the back of the heater.
- ▶ Place the heater in an upright position.
- ▶ Secure the heater by pushing it towards the wall until it audibly snaps into place with the two upper springs on the wall mounting bracket.



- 1 Heater
- 2 Captive locking screws (attached)

- ▶ Secure the heater against unintentional release, using the supplied captive locking screws on the left- and right-hand sides of the wall mounting bracket.

### 12.5 Dismounting the heater

- ▶ Loosen the captive locking screws attached to the wall mounting bracket.
- ▶ To release the heater, push down the springs at the top of the wall mounting bracket.
- ▶ Tilt the heater away from the wall and lift it off the bottom tabs of the wall mounting bracket.

### 12.6 Electrical connection



#### WARNING Electrocutation

- Carry out all electrical connection and installation work in accordance with relevant regulations.
- The heater must be able to be separated from the power supply by an isolator that disconnects all poles with at least 1/8" (3 mm) contact separation.



#### Material losses

- Observe the type plate. The specified voltage must match the supply line voltage.
- Ensure the on-site power supply cable is of an adequate gauge to meet all applicable codes.

Never install the heater directly below a wall outlet.

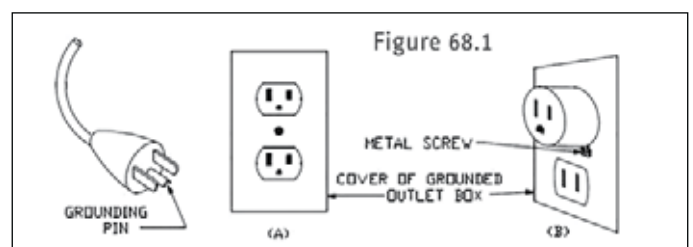
CNS 100-1 Trend/Plus and CNS 150-1 Plus (120 V models) are supplied fully wired with a standard 120 V AC grounded cable with plug. For an optional permanent connection, these models may also be hard-wired to a properly sized circuit breaker.

CNS 100-2 Plus, CNS 150-2 Trend/Plus, CNS 200-2 Plus, CNS 300-2 Plus (208-240 V models) must be connected to a properly sized circuit breaker. See section 16.2, "Wiring diagrams", pg. 14, and section 16.2, "Wiring diagrams", pg. 14.

#### 12.6.1 120 V connection to a standard wall outlet

- ▶ Plug the CNS 100-1 Trend/Plus or CNS 150-1 Plus attached power cable with plug into a grounded 120 V wall outlet.

This heater is for use on 120 volts. The cord has a plug as shown at (A) in Figure 68.1. An adapter as shown at (B) is available for connecting three-blade grounding-type plugs to two-slot receptacles. The green grounding lug extending from the adapter must be connected to a permanent ground such as a properly grounded outlet box. The adapter should not be used if a three-slot grounded receptacle is available.



# INSTALLATION

## Commissioning

### 12.6.2 Hard-wired connection to a circuit breaker



**DANGER** Electrocutation  
Carry out all electrical connection and installation work in accordance with all national, state and local building code.



**WARNING** Electrocutation  
In the case of a permanent connection, the heater must be able to be separated from the power supply by an isolator that disconnects all poles with at least 1/8" (3 mm) contact separation.



**Material losses**

- Trim the power cable so it leads directly to the heater connection socket.
- Ensure that, after trimming the power cable, the heater can still be removed from the wall without issue.

- ▶ When optionally hard-wiring 120 V models, trim the power cable by cutting off the plug.
- ▶ Connect the trimmed end of power cable to a suitable appliance junction box. The junction box must be connected to a properly sized circuit breaker. See section 16.2, "Wiring diagrams", pg. 14, for electrical requirements.
- ▶ For 208-240 V units, a knockout for cable entry into the junction box is located in the center of the rear upper part of the heater. Included in the junction box are wires with wire nuts attached. Install a 1/2" ROMEX clamp in the knockout to prevent the power cable from being pulled out of the wiring block during operation.
- ▶ Cable must be routed from a circuit breaker of suitable size, through the ROMEX clamp, and connected using the wire nuts in the junction box of the unit. See section 16.2, "Wiring diagrams", pg. 14.
- ▶ Alternatively, the installer may remove the supplied wires with nuts from the heater's wiring block, run wire of a suitable gauge through the installed 1/2" ROMEX clamp, and connect the wire ends directly to the heater's wiring block. See section 16.2, "Wiring diagrams", pg. 14.

### 12.6.3 Wiring block

Consult the chart below for the recommended torque amounts on the wiring block screws.

Screw Size (mm)	Min. Torque (N•cm)	Min. Torque (Lbf•in)
M3.5	60-80	5.31-7.08

Using the proper torque specifications to secure wire to the wiring block helps to avoid personal loss or property damage.

## 13. Commissioning

The heater is ready for operation as soon as it has been mounted to the installation wall and connected to the power supply.

- ▶ Remove the protective film from the programming unit display (Plus models only).

## 14. Troubleshooting

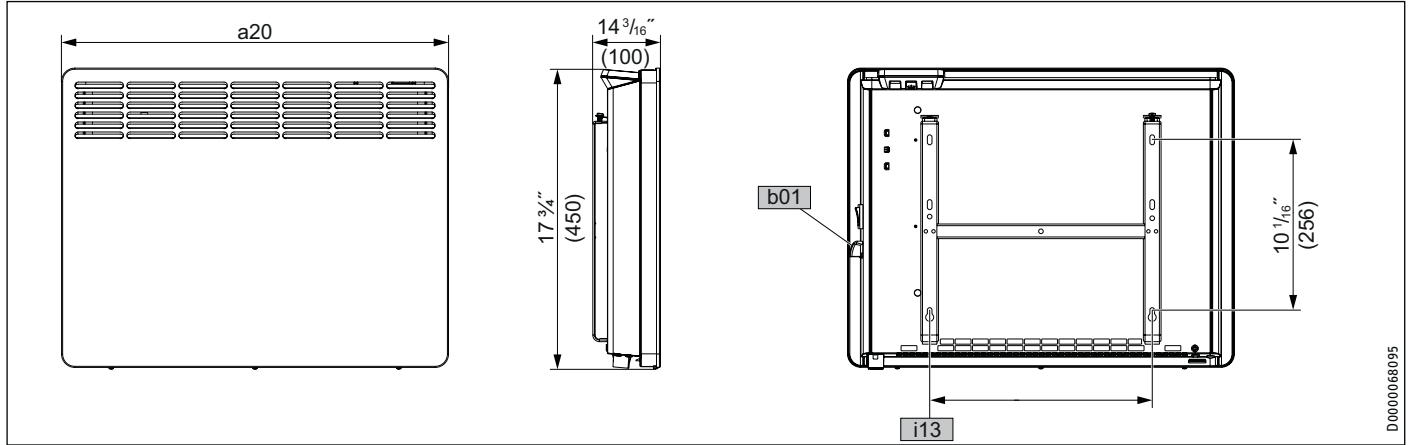
The power cable must only be replaced (for example if damaged) by a qualified contractor authorized by the manufacturer, using an original spare part.

## 15. Heater handover

Explain the functions of the heater to the user. Draw special attention to the safety instructions. Hand over the operating and installation instructions to the user.

## 16. Specification

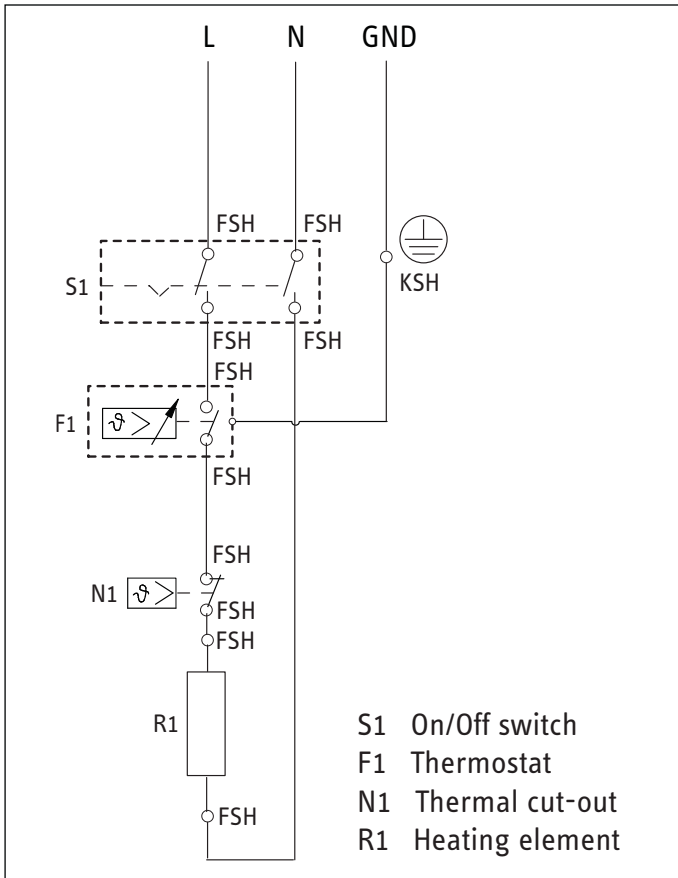
### 16.1 Dimensions and connections



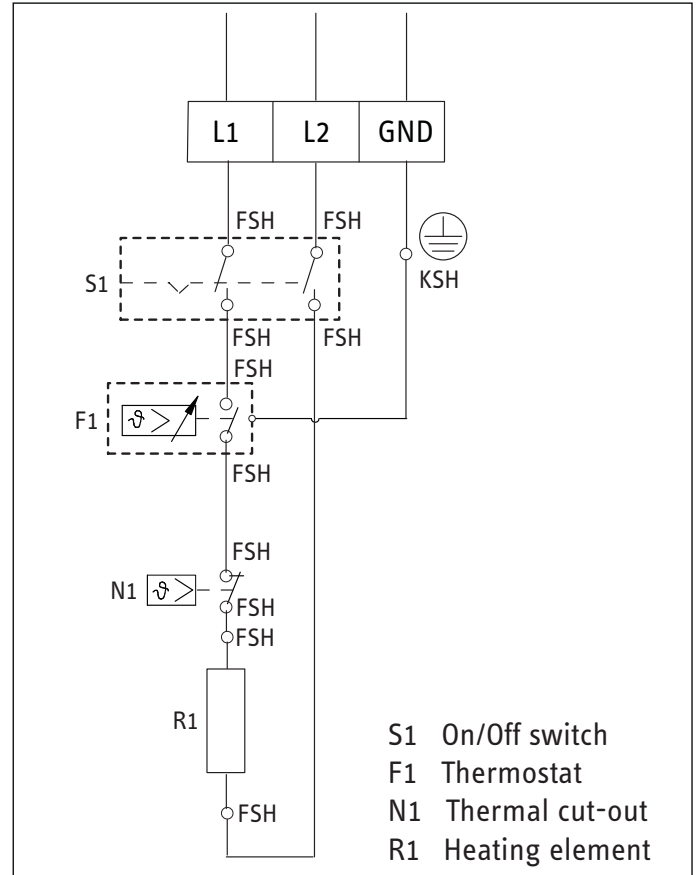
			CNS 100-1 Trend CNS 100-1 Plus CNS 100-2 Plus	CNS 150-1 Plus CNS 150-2 Trend CNS 150-2 Plus	CNS 200-2 Plus	CNS 300-2 Plus
a20	Heater	Width	$16\frac{3}{4}$ " (426 mm)	$22\frac{15}{16}$ " (582 mm)	$29\frac{1}{16}$ " (738 mm)	$41\frac{5}{16}$ " (1050 mm)
b01	Electrical cable entry					
i13	Wall mounting bracket	Horizontal hole spacing	$7\frac{1}{16}$ " (179 mm)	$13\frac{3}{16}$ " (335 mm)	$19\frac{5}{16}$ " (491 mm)	$31\frac{5}{8}$ " (803 mm)

## 16.2 Wiring diagrams

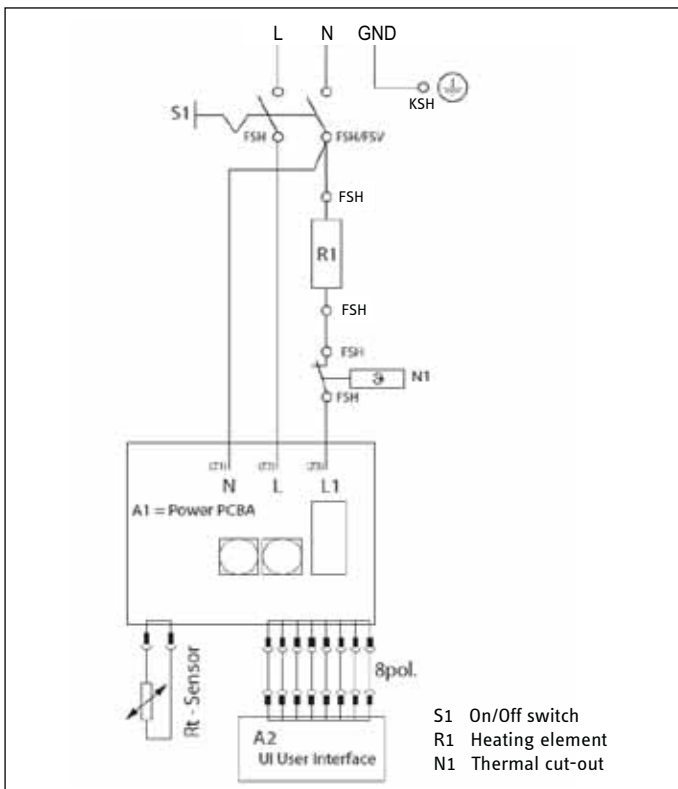
### 16.2.1 CNS 100-1 Trend wiring diagram



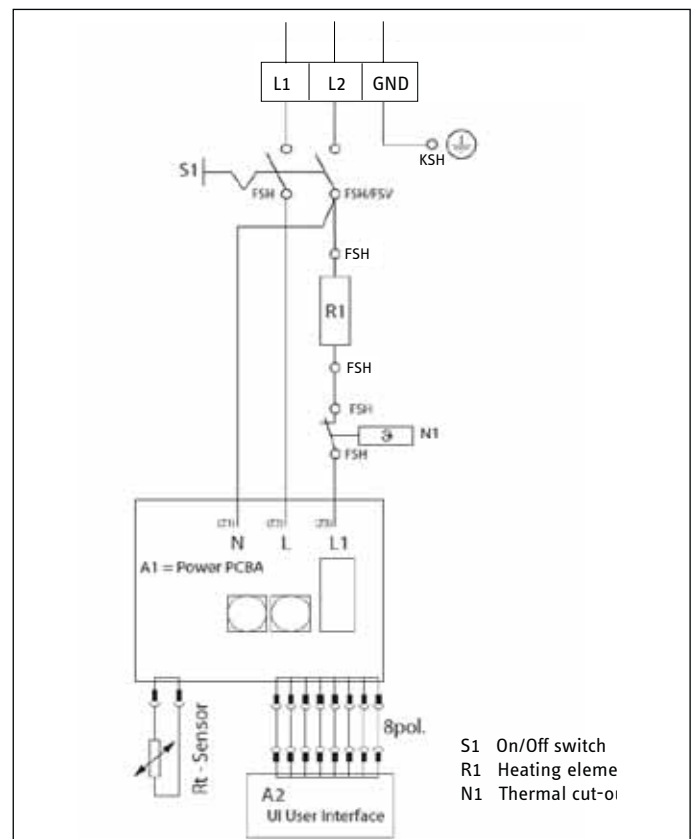
### 16.2.3 CNS 100-2 Trend wiring diagram



### 16.2.2 CNS 100-1 Plus, CNS 150-1 Plus wiring diagram



### 16.2.4 CNS 100-2 Plus, CNS 150-2 Plus, CNS 200-2 Plus, CNS 300-2 Plus wiring diagram



# INSTALLATION Specification

## 16.3 Data tables

	CNS 100-1 Trend	CNS 150-2 Trend		CNS 100-1 Plus	CNS 150-1 Plus
Item number	201991	201992		201994	201996
<b>Electrical data</b>					
Power supply - 60 Hz	single phase	single phase		single phase	single phase
Voltage	120 V	240 V	208 V	120 V	120 V
Wattage	1000 W	1500 W	1125 W	1000 W	1500 W
Btu/hr	3412 Btu/hr	5118 Btu/hr	3839 Btu/hr	3412 Btu/hr	5118 Btu/hr
Amperage	8.3 A	6.3 A	5.4 A	8.3 A	12.5 A
Required circuit breaker size <sup>1</sup>	15 A	10 A	10 A	15 A	15 A
Required wire size <sup>1</sup>	14 AWG	14 AWG	14 AWG	14 AWG	14 AWG
Electrical connection	Power cord with plug	Junction box, rear		Power cord with plug	Power cord with plug
<b>Dimensions</b>					
Height	17 <sup>3</sup> / <sub>4</sub> " (450 mm)				
Width	16 <sup>3</sup> / <sub>4</sub> " (426 mm)	22 <sup>15</sup> / <sub>16</sub> " (582 mm)		16 <sup>3</sup> / <sub>4</sub> " (426 mm)	22 <sup>15</sup> / <sub>16</sub> " (582 mm)
Depth	3 <sup>15</sup> / <sub>16</sub> " (100 mm)				
<b>Weights</b>					
Weight	10.1 lb (4.6 kg)	13.2 lb (6.0 kg)		10.1 lb (4.6 kg)	13.2 lb (6.0 kg)
<b>Other data</b>					
Type	Wall mounted convection heater				
Color	Alpine white				
<b>Settings</b>					
Temperature range	41-86 °F (5-30 °C)				
Frost protection setting	45 °F (7 °C)				

<sup>1</sup> This is our recommendation as the manufacturer. Check local codes for compliance if necessary.

	CNS 100-2 Plus		CNS 150-2 Plus		CNS 200-2 Plus		CNS 300-2 Plus	
Item number	201997		201998		201999		202000	
<b>Electrical data</b>								
Power supply - 60 Hz	single phase		single phase		single phase		single phase	
Voltage	240 V	208 V	240 V	208 V	240 V	208 V	240 V	208 V
Wattage	1000 W	750 W	1500 W	1125 W	2000 W	1500 W	3000 W	2250 W
Btu/hr	3412 Btu/hr	2559 Btu/hr	5118 Btu/hr	3839 Btu/hr	6824 Btu/hr	5118 Btu/hr	10236 Btu/hr	7677 Btu/hr
Amperage	4.2 A	3.6 A	6.3 A	5.4 A	8.3 A	7.2 A	12.5 A	10.8 A
Required circuit breaker size <sup>1</sup>	10 A	10 A	10 A	10 A	15 A	15 A	15 A	15 A
Required wire size <sup>1</sup>	14 AWG	14 AWG	14 AWG	14 AWG	14 AWG	14 AWG	14 AWG	14 AWG
Electrical connection	Junction box, rear		Junction box, rear		Junction box, rear		Junction box, rear	
<b>Dimensions</b>								
Height	17 <sup>3</sup> / <sub>4</sub> " (450 mm)							
Width	16 <sup>3</sup> / <sub>4</sub> " (426 mm)		22 <sup>15</sup> / <sub>16</sub> " (582 mm)		29 <sup>1</sup> / <sub>16</sub> " (738 mm)		41 <sup>5</sup> / <sub>16</sub> " (1050 mm)	
Depth	3 <sup>15</sup> / <sub>16</sub> " (100 mm)							
<b>Weights</b>								
Weight	10.1 lb (4.6 kg)		13.2 lb (6.0 kg)		17.0 lb (7.7 kg)		24.0 lb (10.9 kg)	
<b>Other data</b>								
Type	Wall mounted convection heater							
Color	Alpine white							
<b>Settings</b>								
Temperature range	41-86 °F (5-30 °C)							
Frost protection setting	45 °F (7 °C)							

<sup>1</sup> This is our recommendation as the manufacturer. Check local codes for compliance if necessary.

## 17. Warranty

### LIMITED WARRANTY

Subject to the terms and conditions set forth in this limited warranty, Stiebel Eltron, Inc. (the “Manufacturer”) hereby warrants to the original purchaser (the “Owner”) that each Electric Space Heater (the “Heater”) shall be free of defects in the Manufacturer’s materials or workmanship for a period of three (3) years from the date of purchase. As Owner’s sole and exclusive remedy for breach of the above warranty, Manufacturer shall, at the Manufacturer’s discretion, send replacement parts for local repair; retrieve the unit for factory repair, or replace the defective Heater with a replacement unit with comparable operating features. Manufacturer’s maximum liability under all circumstances shall be limited to the Owner’s purchase price for the Heater.

This limited warranty shall be the exclusive warranty made by the Manufacturer and is made in lieu of all other warranties, express or implied, whether written or oral, including, but not limited to warranties of merchantability and fitness for a particular purpose. Manufacturer shall not be liable for incidental, consequential or contingent damages or expenses arising directly or indirectly from any defect in the Heater or the use of the Heater. Manufacturer shall not be liable for any damage to property of Owner arising, directly or indirectly, from any defect in the Heater or the use of the Heater. Manufacturer alone is authorized to make all warranties on Manufacturer’s behalf and no statement, warranty or guarantee made by any other party shall be binding on Manufacturer.

Manufacturer shall not be liable for any damage whatsoever relating to or caused by:

1. any misuse or neglect of the Heater, any accident to the Heater, any alteration of the Heater, or any other unintended use;
2. acts of God and circumstances over which Manufacturer has no control;

3. installation of the Heater other than as directed by Manufacturer and other than in accordance with applicable building codes;
4. failure to maintain the Heater or to operate the Heater in accordance with the Manufacturer’s specifications;
5. improper installation and/or improper materials used by any installer and not relating to defects in parts or workmanship of Manufacturer;
6. moving the Heater from its original place of installation;
7. use on improper voltage or current;
8. disassembly, repair, or alteration by anyone other than the manufacturer.

Should owner wish to return the Heater to manufacturer for repair or replacement under this warranty, Owner must first secure written authorization from Manufacturer. Owner shall demonstrate proof of purchase, including a purchase date, and shall be responsible for all removal and transportation costs. If Owner cannot demonstrate a purchase date this warranty shall be limited to the period beginning from the date of manufacture stamped on the Heater. Manufacturer reserves the right to deny warranty coverage upon Manufacturer’s examination of Heater. This warranty is restricted to the Owner and cannot be assigned.

Some States and Provinces do not allow the exclusion or limitation of certain warranties. In such cases, the limitations set forth herein may not apply to the Owner. In such cases this warranty shall be limited to the shortest period and lowest damage amounts allowed by law. This warranty gives you specific legal rights and you may also have other rights which vary from State to State or Province to Province.

Owner shall be responsible for all labor and other charges incurred in the removal or repair of the Heater in the field.



The installation, electrical connection and first operation of this appliance should be carried out by a qualified installer.



The company does not accept liability for failure of any goods supplied which have not been installed and operated in accordance with the manufacturer’s instructions.

### Environment and recycling

Please help us to protect the environment by disposing of the packaging in accordance with the national regulations for waste processing.

This Warranty is valid for U.S.A. & Canada only. Warranties may vary by country. Please consult your local Stiebel Eltron Representative for the Warranty for your country.



**INSTRUCCIONES IMPORTANTES**

**OPERACIÓN**

<b>1.</b>	<b>Información general</b>	<b>18</b>
1.1	Instrucciones de seguridad	18
1.2	Otros símbolos en esta documentación	18
1.3	Información sobre el calentador	19
1.4	Unidades de medida	19
<b>2.</b>	<b>Seguridad</b>	<b>19</b>
2.1	Uso previsto	19
2.2	Instrucciones generales de seguridad	19
2.3	Símbolos de prueba	20
<b>3.</b>	<b>Registre su producto</b>	<b>20</b>
<b>4.</b>	<b>Descripción del calentador</b>	<b>20</b>
4.1	Encendido y apagado del calentador	20
<b>5.</b>	<b>Operación de CNS Trend</b>	<b>21</b>
5.1	Seleccionar la temperatura ambiente	21
5.2	Protección contra heladas	21
<b>6.</b>	<b>Operación de CNS Plus</b>	<b>21</b>
6.1	Unidad de programación	21
6.2	Modo de espera	22
<b>7.</b>	<b>Configuración</b>	<b>22</b>
7.1	Bloqueo	22
7.2	Visualización estándar	22
7.3	Menú estándar	23
7.4	Menú de configuración	23
<b>8.</b>	<b>Limpieza, cuidado y mantenimiento</b>	<b>24</b>
<b>9.</b>	<b>Resolución de problemas</b>	<b>25</b>

**INSTALACIÓN**

<b>10.</b>	<b>Seguridad</b>	<b>25</b>
10.1	Instrucciones generales de seguridad	25
10.2	Instrucciones, estándares y regulaciones	25
<b>11.</b>	<b>Descripción del calentador</b>	<b>25</b>
11.1	Entrega estándar	25
<b>12.</b>	<b>Instalación</b>	<b>26</b>
12.1	Lugar de instalación	26
12.2	Distancias mínimas con respecto a superficies duras	26
12.3	Instalación del soporte de montaje en pared	26
12.4	Instalación del calentador	27
12.5	Desmontaje del calentador	27
12.6	Conexión eléctrica	27
<b>13.</b>	<b>Puesta en marcha</b>	<b>28</b>
<b>14.</b>	<b>Resolución de problemas</b>	<b>28</b>
<b>15.</b>	<b>Transferencia del calentador</b>	<b>28</b>
<b>16.</b>	<b>Especificaciones</b>	<b>29</b>
16.1	Dimensiones y conexiones	29
16.2	Diagramas de cableado	30
16.3	Tablas de datos	31
<b>17.</b>	<b>Garantía</b>	<b>32</b>

# INSTRUCCIONES IMPORTANTES

## GUARDA ESTAS INSTRUCCIONES

- Al utilizar aparatos eléctricos, siempre se deben seguir las precauciones básicas para reducir el riesgo de incendio, descarga eléctrica y lesiones a las personas, incluidas las siguientes:
  1. Lea todas las instrucciones antes de instalar o usar este calentador.
  2. Este calentador se calienta cuando está en uso. Para evitar quemaduras, no permita que la piel desprotegida toque superficies calientes. Mantenga los materiales combustibles, como muebles, almohadas, ropa de cama, papeles, ropa y cortinas, al menos a 3 pies (1 m) de la parte frontal, los lados y la parte posterior del calentador.
  3. Se requiere extrema precaución cuando niños o personas con discapacidad usan el calentador o están cerca de él y cuando el calentador se deja en funcionamiento sin supervisión.
  4. No opere ningún calentador si observa que funciona incorrectamente. Desconecte el cable de alimentación en el panel de servicio y solicite a un electricista acreditado que inspeccione el calentador antes de volver a utilizarlo. Mantenga a los niños menores de 3 años alejados del calentador si no se puede garantizar la supervisión constante.
  5. No lo use al aire libre.
  6. No introduzca ni permita que entren objetos extraños en ninguna abertura de ventilación o de extracción, ya que esto puede causar una descarga eléctrica o un incendio, o dañar el calentador.
  7. Guarda estas instrucciones.

- Los niños de entre 3 y 7 años pueden encender y apagar el calentador siempre que sean supervisados o que se les haya enseñado el funcionamiento seguro del calentador y comprendan los riesgos potenciales. Esto depende de que el calentador se haya instalado como se indica. Los niños de entre 3 y 7 años no deben enchufar el cable de alimentación ni regular el calentador.
- El calentador puede ser utilizado por niños de 8 años en adelante, por personas con discapacidades físicas, sensoriales o mentales o por personas sin experiencia o conocimientos suficientes siempre que sean supervisados o que se les haya enseñado el funcionamiento seguro del calentador y hayan comprendido los riesgos potenciales.
- Los niños nunca deben jugar con el calentador. Tampoco deben limpiarlo ni realizar el mantenimiento a menos que sean supervisados.
- Algunas partes del calentador pueden alcanzar altas temperaturas y causar quemaduras. Se recomienda especial precaución cuando haya niños o personas vulnerables cerca.
- Para evitar que el calentador se sobrecaliente, nunca lo cubra.
- Nunca instale el calentador directamente debajo de una toma de corriente.
- En el caso de una conexión permanente, asegúrese de que el calentador pueda separarse de la fuente de alimentación mediante un aislador que desconecte todos los polos con al menos 1/8 de pulgada (3 mm) de separación de contacto.
- El cable de alimentación solo debe ser reemplazado (por ejemplo, si está dañado) por un contratista calificado autorizado por el fabricante, utilizando una pieza de repuesto original.
- Fije el calentador como se describe en el capítulo 12.4, "Instalación del calentador", pág. 27.

# OPERACIÓN

## 1. Información general

Los capítulos "Información especial" y "Operación" están destinados tanto a usuarios como a contratistas calificados.

El capítulo "Instalación" está destinado solo a contratistas calificados.



### Nota

Lea estas instrucciones con atención antes de usar el calentador y consérvelas para referencia futura. Entregue las instrucciones a un nuevo usuario si es necesario.

### 1.1 Instrucciones de seguridad

#### 1.1.1 Estructura de las instrucciones de seguridad



#### **PALABRA CLAVE** Tipo de riesgo

Aquí se enumeran las consecuencias que pueden resultar del incumplimiento de las instrucciones de seguridad.

► Se enumeran los pasos para evitar el riesgo.

#### 1.1.2 Símbolos, tipo de riesgo

Símbolo	Tipo de riesgo
	Lesión
	Electrocución
	Quemaduras (quemaduras, escaldaduras)

#### 1.1.3 Palabras clave

PALABRA CLAVE	Significado
PELIGRO	El incumplimiento de esta información provocará lesiones graves o la muerte.
ADVERTENCIA	El incumplimiento de esta información puede provocar lesiones graves o la muerte.
PRECAUCIÓN	El incumplimiento de esta información puede ocasionar lesiones no graves o leves.

### 1.2 Otros símbolos en esta documentación



### Nota

La información general se identifica con el símbolo adyacente.

► Lea estos textos cuidadosamente.

Símbolo	Significado
	Pérdidas materiales (daños en el calentador, pérdidas consecuentes y contaminación ambiental)

# OPERACIÓN

## Seguridad



Eliminación de electrodomésticos

► Este símbolo indica que tienes que hacer algo. La acción que tienes que hacer se describe paso a paso.

### 1.3 Información sobre el calentador

Símbolo	Significado
	Nunca cubra el calentador

### 1.4 Unidades de medida



#### Nota

Todas las medidas se dan en pulgadas (mm), a menos que se indique lo contrario.

## 2. Seguridad

### 2.1 Uso previsto

Este calentador está diseñado para calentar áreas habitables.

Está destinado para uso doméstico y puede ser utilizado de manera segura por personas no capacitadas. El calentador también se puede usar en un entorno no doméstico; por ejemplo, en una pequeña empresa, siempre que se use de la misma manera.

Cualquier otro uso más allá del descrito se considerará inapropiado. La observación de estas instrucciones y de las instrucciones para cualquier accesorio utilizado también es parte del uso correcto de este calentador.

### 2.2 Instrucciones generales de seguridad



#### PELIGRO Electrocutión

- Antes de limpiar el calentador, asegúrese de que se haya apagado desde el panel del disyuntor y de que el elemento calefactor esté frío.



#### PELIGRO Incendio

Nunca coloque objetos o materiales inflamables, combustibles o aislantes, tales como ropa, mantas, revistas, recipientes con cera para pisos o gasolina, latas de aerosol o similares, sobre el aparato o cerca de él.



#### ADVERTENCIA Incendio

Asegúrese de que no entren cuerpos extraños en el canal de ventilación y tapen las aberturas. Esto podría provocar descargas eléctricas, incendios o daños en el aparato.



#### PELIGRO Incendio

Nunca opere este calentador...

- si no se mantienen las distancias mínimas con respecto a los objetos adyacentes; por ejemplo, muebles, cortinas de red, cortinas, textiles u otros materiales inflamables (para más información sobre distancias mínimas, consulte la sección 16.1, "Dimensiones y conexiones", pág. 29).
- en habitaciones donde el aparato corre riesgo de incendio o explosión como resultado del contacto con productos químicos, polvo, gases o vapores.
- en la proximidad directa de tuberías o contenedores que transportan o contienen materiales inflamables o explosivos.
- si se realizan trabajos tales como tendido de cables, rectificado o sellado en la sala de instalación.
- si se usan aerosoles, cera para pisos o productos similares que contienen gasolina. Ventile la habitación lo suficiente antes de calefaccionarla.
- si un componente del aparato está dañado, si se ha caído o si ya tiene una falla.
- al aire libre.



#### ADVERTENCIA Incendio

Para evitar incendios, asegúrese de que las entradas y salidas de aire nunca estén bloqueadas. Nunca coloque el aparato sobre superficies blandas, como una cama, ya que esto podría bloquear las aberturas.



#### ADVERTENCIA Quemaduras

- Nunca coloque objetos o materiales inflamables, combustibles o aislantes sobre el calentador o cerca de él.
- Asegúrese de que la entrada y descarga de aire nunca estén bloqueadas.
- Nunca coloque objetos entre el calentador y la pared.



#### ADVERTENCIA Lesiones

- Mantenga a los niños menores de 3 años alejados del calentador si no se puede garantizar una supervisión constante.
- Los niños de entre 3 y 7 años pueden encender y apagar el calentador siempre que sean supervisados o que se les haya enseñado el funcionamiento seguro del calentador y comprendan los riesgos potenciales. Esto depende de que el calentador se haya instalado como se indica. Los niños de entre 3 y 7 años no deben enchufar el cable de alimentación ni regular el calentador.
- El calentador puede ser utilizado por niños de 8 años en adelante, por personas con discapacidades físicas, sensoriales o mentales o sin experiencia o conocimientos suficientes siempre que sean supervisados o que se les haya enseñado el funcionamiento seguro del calentador y hayan comprendido los riesgos potenciales.
- Los niños nunca deben jugar con el calentador. Tampoco deben limpiarlo ni realizar el mantenimiento a menos que sean supervisados.

**ADVERTENCIA Lesiones**

En habitaciones cerradas, las temperaturas pueden alcanzar rápidamente niveles elevados. Procure una supervisión constante si el calentador funciona en una habitación pequeña y las personas que están en esa habitación no pueden regularlo o abandonar la habitación por su cuenta.

**PRECAUCIÓN Quemaduras**

Algunas partes del calentador pueden alcanzar altas temperaturas y causar quemaduras. Se recomienda especial precaución cuando haya niños o personas vulnerables cerca.

**ADVERTENCIA Sobrecalentamiento**

Para evitar que el calentador se sobrecaliente, nunca lo cubra.

**Pérdidas materiales**

- Asegúrese de que el cable de alimentación no toque el calentador.
- Nunca se pare sobre el calentador.
- Nunca opere el calentador al aire libre.

### 2.3 Símbolos de prueba

Ver placa de características en el calentador.

## 3. Registre su producto



Debe registrar este producto dentro de los 90 días posteriores a la compra en nuestro sitio web para activar la garantía estándar o solicitar la garantía extendida. Vaya a nuestro sitio web en [www.stiebel-eltron-usa.com](http://www.stiebel-eltron-usa.com) y haga clic en Registrar su producto.

Antes de comenzar el proceso de registro, le sugerimos que recopile la información necesaria, a saber:

Tipo, ejemplo: CNS 150-1 Plus (en la etiqueta blanca que se encuentra en el lado derecha de la unidad)

Número listado después de "No."

Lugar de compra

Fecha de compra

Nombre y apellido

Dirección de correo electrónico

Domicilio

Número de teléfono

Si tiene alguna pregunta sobre el proceso de registro o las opciones de garantía, comuníquese directamente con Stiebel Eltron USA al 800.582.8423.

## 4. Descripción del calentador

CNS Trend/Plus son calentadores eléctricos de convección montados en la pared. El calentador es adecuado para su uso como sistema de calefacción independiente, o puede usarse en primavera y otoño y como un calentador de refuerzo en habitaciones más pequeñas.

El aire dentro del calentador es calentado por un elemento calefactor y expulsado silenciosamente por convección natural a través de la descarga de aire en la parte superior. El aire frío del interior es aspirado a través de la entrada de aire en la parte inferior del calentador.

Cuando se alcanza la temperatura ambiente establecida, se mantiene mediante el calentamiento periódico.

### 4.1 Encendido y apagado del calentador

**Nota**

Durante un corto tiempo después de la puesta en marcha inicial y después de períodos prolongados sin uso, el calentador puede emanar cierto olor brevemente.

El calentador estará listo para funcionar tan pronto como se haya montado en la pared y enchufado a una toma de corriente (modelos de 120 V) o bien conectado directamente a un disyuntor de tamaño adecuado (opcional para los modelos de 120 V, requerido para los modelos de 208-240 V).

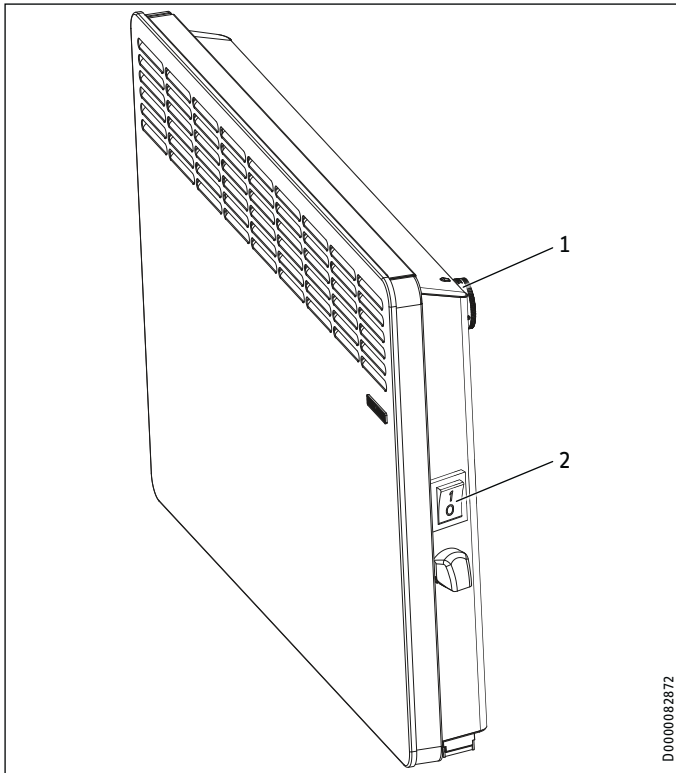
- ▶ Encienda o apague el calentador usando el interruptor de ENCENDIDO/APAGADO en el lado derecho de la unidad.
- ▶ Apague el calentador cuando no esté en uso por períodos más largos (por ejemplo, durante los meses de verano).

Para los modelos CNS Plus, los ajustes permanecen intactos después de apagar o después de una interrupción del suministro de energía. Este calentador está equipado con una reserva de energía que permite guardar el día de la semana y la hora durante varias horas.

**Nota**

Si el CNS Plus se ha apagado durante más tiempo con un programa de tiempo activado, se le pedirá que ajuste el día y la hora después de volver a encenderlo. Hasta que se introduzcan estos datos, el calentador funcionará en modo de confort.

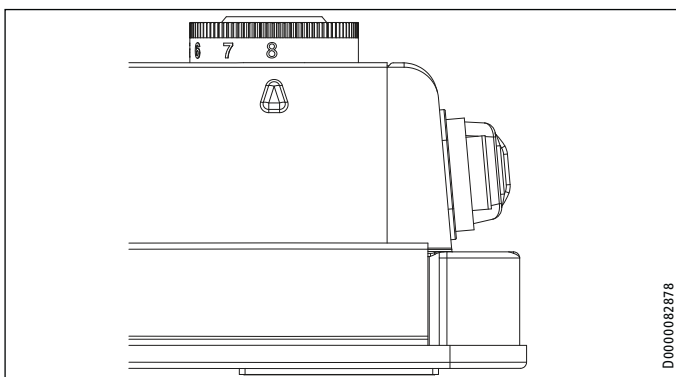
### 5. Operación de CNS Trend



- 1 Selector de temperatura
- 2 Interruptor de ENCENDIDO/APAGADO

#### 5.1 Seleccionar la temperatura ambiente

► Use el selector de temperatura para ajustar la temperatura ambiente requerida. El usuario puede seleccionar una temperatura dentro del rango disponible de 41-86 °F (5-30 °C).



Cuando se haya alcanzado la temperatura ambiente deseada, se mantendrá mediante un calentamiento intermitente.

Para que la temperatura de la habitación se mantenga eficazmente, el calentador debe tener la potencia suficiente para satisfacer la demanda de calefacción mínima requerida del espacio.

Si se instalan varios calentadores en una habitación, la temperatura seleccionada en cada aparato puede ser diferente.



**Nota**

Para evitar el consumo excesivo de energía cuando las ventanas están abiertas, apague el calentador durante la ventilación.

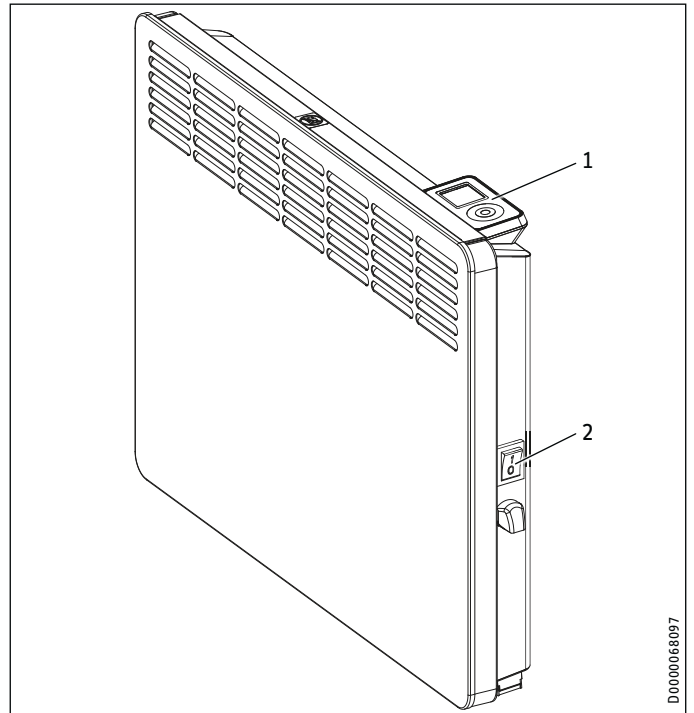
#### 5.2 Protección contra heladas



► Gire el selector de temperatura hasta el símbolo de escarcha.

En esta posición, el calentador se activa automáticamente si la temperatura ambiente cae por debajo de la temperatura de protección contra heladas: 45 °F (7 °C).

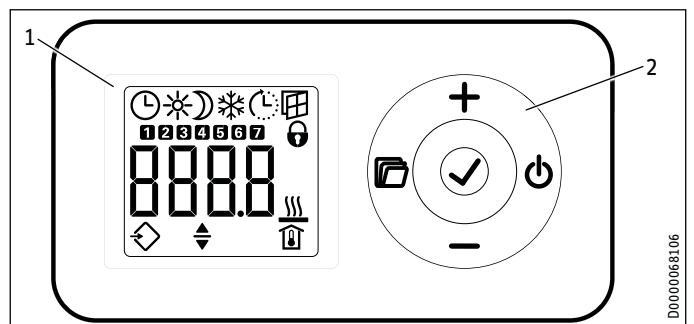
### 6. Operación de CNS Plus



- 1 Unidad de programación
- 2 Interruptor de ENCENDIDO/APAGADO

#### 6.1 Unidad de programación

El calentador se opera desde la unidad de programación, ubicada en la parte superior derecha delantera.





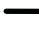


- 1 Visualización
- 2 Interfaz de usuario

# OPERACIÓN

## Configuración









### 6.1.1 Interfaz de usuario





Botón	Designación	Descripción
	Botón "Standby" ("Espera")	Enciende la unidad de programación; Configura la unidad de programación y el calentador en modo de espera
	Botón "OK"	Hace selecciones; Confirma la configuración
	Botón "Menu" ("Menú")	Ingresa a y sale del menú
	Botón "+"	Selecciona elementos del menú; Cambia la configuración
	Botón "-"	Selecciona elementos del menú; Cambia la configuración

### 6.1.2 Visualización

Si el usuario no realiza una selección al cabo de 20 segundos, la luz de fondo se apaga. Presione cualquier botón para volver a encender la luz de fondo.

#### Símbolos

Símbolo	Descripción
	Visualización de la hora: Indica la hora actual o una hora de inicio programada
	Programa de temporizador activado: Calienta de acuerdo con el programa de temporizador configurado.
	Modo de confort: El calentador mantiene la temperatura de confort establecida. Ajuste de confort estándar: 70 °F (21.0 °C). Use esta configuración para una temperatura ambiente cómoda cuando haya alguien presente.
	Modo nocturno: El calentador mantiene la temperatura nocturna más baja seleccionada. Configuración estándar: 64 °F (18.0 °C). Use esta configuración por la noche o cuando esté ausente por varias horas.
	Protección contra heladas: El símbolo de protección contra heladas se muestra si la temperatura del calentador se establece en 45 °F (7.0 °C). Use esta configuración para proteger una habitación desocupada del daño por heladas.
	Inicio adaptativo: Con el programa de temporizador activado, los tiempos de activación del calentador se ajustan para garantizar que la temperatura ambiente establecida se alcance en el momento de inicio programado. Condiciones: La función "Inicio adaptativo" está habilitada (consulte la sección 7.3, "Menú estándar", pág. 23).
	Detección de ventana abierta: Para evitar el consumo innecesario de energía durante la ventilación, el calentador cambia automáticamente al modo de protección contra heladas durante una hora si se abre una ventana. El símbolo de "detección de ventana abierta" parpadea. Después de la ventilación, el modo de protección contra heladas se puede apagar manualmente presionando "+" u "OK". El calentador calienta nuevamente a la temperatura ambiente establecida. Para que se active la función de "Detección de ventanas abiertas" deben cumplirse las siguientes condiciones: - La temperatura ambiente está fijada en 59 °F (15 °C) o más. - La temperatura en el calentador cae abruptamente al menos 5.4 °F (3 °C). - La detección de ventanas abiertas está activada (consulte la sección 7.3, "Menú estándar", pág. 23).
	Bloqueo: La interfaz de usuario está bloqueada.

Símbolo	Descripción
	Calefacción habilitada: La unidad se calienta para mantener la temperatura ambiente establecida.
	Visualización de la temperatura ambiente
	Parámetro editable: El parámetro que se muestra se puede cambiar con "+" y "-".
	Días de la semana: 1 = lunes, 2 = martes... 7 = domingo

### 6.2 Modo de espera



#### Pérdidas materiales

En modo de espera, el calentador no producirá calor bajo ninguna circunstancia. La protección contra heladas se desactiva hasta que el calentador salga del modo de espera.

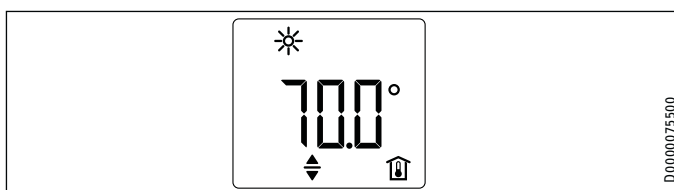
- ▶ Para encender la unidad de programación, presione "Espera". Aparece la visualización estándar.
- ▶ Para configurar la unidad de programación y el calentador de calefacción en modo de espera, presione "Espera". La visualización muestra "- - - -".

## 7. Configuración

### 7.1 Bloqueo

- ▶ Para bloquear o desbloquear la interfaz de usuario, mantenga presionados "+" y "-" simultáneamente durante 5 segundos.

### 7.2 Visualización estándar



La visualización estándar se muestra de manera continua. Si no se detecta ninguna selección del usuario durante más de 20 segundos mientras está navegando el menú, el dispositivo cambia automáticamente a la visualización estándar.

La visualización estándar muestra la temperatura actual de la habitación, así como el símbolo "Parámetro editable". Puede usar "+" y "-" para cambiar la temperatura ambiente establecida.

Si la temperatura ambiente establecida corresponde a uno de los valores determinados para la temperatura del modo confort o el modo nocturno, aparece el símbolo del modo operativo correspondiente (modo confort, modo nocturno) en la barra de menú.

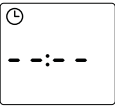





La temperatura ambiente ajustada también se puede cambiar manualmente con un programa de tiempo activo. La temperatura ambiente ajustada se mantiene hasta que se alcanza el siguiente punto de conmutación programado.

# OPERACIÓN

## Configuración

### 7.3 Menú estándar

Para acceder al menú estándar, presione brevemente “Menú”. Ahora puede seleccionar los siguientes elementos del menú:

Visualización	Descripción
	Seleccionar el día de la semana y la hora
	Seleccionar la configuración de temperatura de confort. La temperatura de confort debe establecerse al menos 1 °F (0.5 °C) más alta que la temperatura del modo nocturno.
	Seleccionar la configuración de temperatura del modo nocturno. La temperatura del modo nocturno debe establecerse al menos 1 °F (0.5 °C) más baja que la temperatura de confort.
	Activar y desactivar la función “Detección de ventana abierta”
	Seleccionar el programa de temporizador (Pro1, Pro2, Pro3) o desactivarlo (apagado)
	Activar y desactivar la función “Inicio adaptativo”

Para cambiar la configuración de un elemento del menú, seleccione el elemento con “+” y “-”. Presione “OK”.

Cuando aparezca el símbolo de “Parámetro editable”, podrá cambiar la configuración del elemento con “+” y “-”. Presione “OK” para guardar la configuración.

Para salir del menú estándar, presione “Menú”. Aparecerá la visualización estándar.

### 7.4 Menú de configuración

Visualización	Descripción
I1-I2	Valores reales
Pro1-Pro3	Programas de temporización
P1-P5	Parámetro

En el menú de configuración, puede seleccionar valores reales, establecer programas de temporización y ajustar parámetros.

Para acceder al menú de configuración, mantenga presionado “Menú”. Después de aproximadamente 3 segundos, se muestra el valor real I1.

Use “+” y “-” para cambiar entre los valores reales individuales, los programas de temporización y los parámetros.

Para salir del menú de configuración, presione “Menú”. Aparece la visualización estándar.

#### 7.4.1 Valores reales

Los siguientes valores reales pueden ser llamados:

Visualización	Descripción	Unidad
I1	La temperatura ambiente real	[°C]   [°F]
I2	Tiempo de calentamiento relativo (El contador puede ser puesto a cero a través del parámetro P5.)	[h]



#### Nota

El contador del tiempo de calentamiento relativo (I2) cuenta en horas completas durante cuánto tiempo opera el calentador. Cuando se apaga el calentador, no se registra ninguna fase de calentamiento de menos de 60 minutos.

#### 7.4.2 Programas de temporizador

Hay tres programas de temporizador disponibles. Los programas Pro1 y Pro2 vienen preconfigurados de fábrica. El programa Pro3 se puede configurar de acuerdo con sus requisitos individuales.

Visualización	Descripción
Pro1	Programa de temporizador “Diario” - Repetido: de lunes a domingo
Pro2	Programa de temporizador “Días laborables” - Repetido: de lunes a viernes
Pro3	Programa de temporizador “Definido por el usuario” - hasta 14 fases de confort libremente configurables



#### Nota

Para usar un programa de temporizador, seleccione el programa requerido en el menú estándar (Consulte la sección 7.3, “Menú estándar”, pág. 23).



#### Nota

Asegúrese de que el día de la semana y la hora estén configurados correctamente al configurar los programas de temporizador.



#### Nota

Lo siguiente se aplica a todos los programas de temporizador (Pro1, Pro2, Pro3): Si la hora de finalización es posterior a las 23:59 horas, la hora de finalización se pasará automáticamente al siguiente día de la semana. La fase de confort se mantiene pasada la medianoche y finalizará al día siguiente a la hora de finalización establecida.

#### Programas de temporizador Pro1 y Pro2

Puede especificar las horas de inicio y finalización del modo confort con los programas Pro1 y Pro2. Durante este período, el calentador calienta hasta alcanzar la temperatura de confort establecida. Fuera de este período especificado, el calentador funciona en modo nocturno. Esto da como resultado una fase de confort y una fase nocturna, que se repiten diariamente (Pro1) o todos los días hábiles (Pro2).

Estas fases se configuran de fábrica de la siguiente manera:

- 08:00 a. m. - 10:00 p. m.: Modo confort
- 10:00 p. m. - 08:00 a. m.: Modo nocturno



### Nota

Cuando el programa horario Pro2 está habilitado, el calentador funciona durante los fines de semana exclusivamente en modo nocturno.

Para adaptar los programas de temporizador Pro1 y Pro2 de acuerdo a sus necesidades, proceda de la siguiente manera:

- ▶ En el menú de configuración, use “+” y “-” para seleccionar el programa de temporizador requerido.
- ▶ Presione “OK”.  
Se muestra la hora de inicio del modo confort.
- ▶ Use “+” y “-” para configurar la hora de inicio requerida.
- ▶ Presione “OK”.  
Se muestra la hora de finalización del modo confort.
- ▶ Use “+” y “-” para configurar la hora de finalización requerida.
- ▶ Presione “OK” para guardar.

### Programas de temporizador Pro3

Puede usar el programa de tiempo Pro3 para especificar hasta 14 fases de confort distintas que se repiten semanalmente.

Para configurar una fase de confort en el programa de temporizador Pro3, proceda de la siguiente manera:

- ▶ En el menú de configuración, use “+” y “-” para seleccionar el programa de tiempo Pro3.
- ▶ Presione “OK”.  
La visualización muestra “3 ---”.
- ▶ Presione “OK”.  
Se muestra un día de la semana o un grupo de días.
- ▶ Use “+” y “-” para seleccionar el día o el grupo de días requerido.
- ▶ Presione “OK”.  
Se muestra la hora de inicio del modo confort.
- ▶ Use “+” y “-” para configurar la hora de inicio requerida.
- ▶ Presione “OK”.  
Se muestra la hora de finalización del modo confort.
- ▶ Use “+” y “-” para configurar la hora de finalización requerida.
- ▶ Presione “OK”.  
Se ha configurado la fase de confort “3-01”.
- ▶ Para configurar una fase de confort adicional, use “+” y “-” en el programa Pro3 para seleccionar la visualización “3 ---”. Proceda como se describe arriba.



### Nota

Para restablecer las fases de confort seleccionadas, active el parámetro P4.

- ▶ Tenga en cuenta que la activación del parámetro P4 restablece todos los programas de temporizador (Pro1, Pro2, Pro3) a la configuración de fábrica.

### 7.4.3 Parámetros

Puede seleccionar los siguientes parámetros:

Visualización	Descripción	Opciones
P1	Compensación de temperatura ambiente	±5°F   ±3°C

Visualización	Descripción	Opciones
P2	Formato de temporizador	12 hs   24 hs
P3	Unidades de visualización de temperatura	°F   °C
P4	Restablecer programas de temporizador (Pro1, Pro2, Pro3)	on (encendido)   off (apagado)
P5	Restablecer tiempo de calentamiento relativo	on (encendido)   off (apagado)

Para cambiar el valor de un parámetro, use “+” y “-” para seleccionar el parámetro relevante. Presione “OK”.

Cuando aparezca el símbolo “Parámetro editable”, podrá cambiar el valor del parámetro con “+” y “-”. Presione “OK” para guardar el valor seleccionado.

### P1: Compensación de temperatura ambiente

La distribución desigual de la temperatura en la habitación puede generar una diferencia entre la temperatura real mostrada I1 y la temperatura ambiente que usted mide. Para compensar esta diferencia, se puede establecer una compensación de temperatura ambiente de ± 5°F (± 3°C) mediante el parámetro P1.

Ejemplo: El calentador indica I1 = 70°F (21.0°C). Ha medido una temperatura ambiente de 68°F (20.0°C). Hay una diferencia de 2°F (1.0°C).

- ▶ Para compensar la diferencia, seleccione una compensación de P1 = -2.0 (-1.0).

### P2: Formato de la hora

El parámetro P2 le permite especificar si la hora se muestra en formato de 12 o 24 horas.

### P3: Unidades de visualización de temperatura

El parámetro P3 se usa para especificar si la temperatura ambiente se muestra en grados Fahrenheit [°F] o Centígrados [°C].

### P4: Restablecer programas de temporizador

La activación del parámetro P4 restablece todos los programas de temporizador (Pro1, Pro2, Pro3) a la configuración de fábrica.

### P5: Restablecer tiempo de calentamiento relativo

La activación del parámetro P5 restablece el contador para el tiempo de calentamiento relativo (I2).

## 8. Limpieza, cuidado y mantenimiento

El calentador no contiene piezas reparables por el usuario.



### Pérdidas materiales

- Nunca rocíe productos de limpieza en la ranura de ventilación.
- Asegúrese de que no ingrese humedad al calentador.
- Si observa una decoloración marrón pálida en la carcasa del calentador, límpiela lo antes posible con un paño húmedo.
- Limpie el calentador cuando esté frío, con productos de limpieza comunes. Evite usar productos de limpieza abrasivos o corrosivos.



## 9. Resolución de problemas

Problema	Causa	Solución
La habitación no se calienta lo suficiente. El calentador no se calienta.	La temperatura se configuró demasiado baja en el calentador.	Verifique la temperatura configurada en el calentador. Ajuste si es necesario.
	No hay energía	Verifique la posición del interruptor de ENCENDIDO/APAGADO. Compruebe que las unidades de 120 V estén bien conectadas a la toma de corriente. Verifique que el disyuntor conectado directamente a la unidad no se haya disparado. Restablezca si es necesario.
La habitación no se calienta lo suficiente aunque el calentador esté caliente.	Sobrecalentamiento. El corte de seguridad de límite elevado impide la salida de calor.	Elimine la causa (suciedad u obstrucciones en la entrada o descarga de aire). Respete las distancias mínimas.
	La demanda de calor de la habitación es mayor que la salida del calentador.	Reduzca las pérdidas de calor. (Cierre ventanas y puertas. Evite la ventilación constante).
La habitación se calienta demasiado.	La temperatura se configuró demasiado alta.	Verifique la temperatura ambiente seleccionada. Ajuste si es necesario.
La detección de ventana abierta no responde (solo modelos Plus).	El calentador no detecta una caída pronunciada de temperatura cuando se ventila. (La detección de ventana abierta requiere una temperatura ambiente previamente estable).	Espera un momento después de realizar ajustes en el calentador, hasta que la temperatura ambiente se haya estabilizado por completo.
		Evite obstrucciones en los intercambios de aire entre el calentador y el ambiente.
		Cambie manualmente el calentador al modo de espera durante la ventilación.
	La detección de ventana abierta no está activada.	Active la detección de ventana abierta en el menú estándar.
La función "Inicio adaptativo" no funciona como se debe. (Solo modelos Plus)	La función solo es eficaz cuando se activa un programa de temporizador.	Use los programas de temporizador para optimizar la calefacción.
	La temperatura ambiente fluctúa en gran medida o el procedimiento de aprendizaje del calentador no se ha completado.	Espere unos días hasta que el comportamiento se estabilice.
	La función "Inicio adaptativo" no está activa.	Active la función "Inicio adaptativo" en el menú estándar.
Se visualiza "Err" o "E...". (Solo modelos Plus)	Falla interna detectada.	Notifique a un contratista calificado.

Si no puede solucionar el problema, contacte con su contratista cualificado. Para facilitar y acelerar su solicitud, proporcione el número de serie de la placa de identificación (000000-0000-000000).

## INSTALACIÓN

### 10. Seguridad

Solo un contratista calificado debe realizar la instalación, la puesta en marcha, el mantenimiento y la reparación del calentador.

#### 10.1 Instrucciones generales de seguridad

Garantizamos un funcionamiento sin problemas y una operación confiable solo si se utilizan accesorios y repuestos originales destinados al calentador.



#### PELIGRO Electrocución

Realizar todas las conexiones e instalaciones eléctricas de acuerdo con los códigos de construcción nacionales, estatales y locales.



#### PRECAUCIÓN Quemaduras

- Monte el calentador en una pared vertical que sea resistente a temperaturas de al menos 185 °F (85 °C).
- Mantenga las distancias mínimas con respecto a los objetos adyacentes.



#### Pérdidas materiales

- Si enchufa el calentador a una toma de corriente de pared, asegúrese de que sea accesible fácilmente una vez que se haya instalado.
- Nunca instale el calentador directamente debajo de una toma de corriente.
- Asegúrese de que el cable de alimentación no esté en contacto con ningún componente del calentador.

#### 10.2 Instrucciones, estándares y regulaciones



#### Nota

Observe todas las regulaciones e instrucciones nacionales y regionales aplicables.

### 11. Descripción del calentador

#### 11.1 Entrega estándar

Los siguientes elementos se entregan con el calentador:

- Soporte de montaje en pared (enganchado al calentador)
- Cable de alimentación con enchufe de 120 V (solo modelos de 120 V, adjunto)

### 12. Instalación

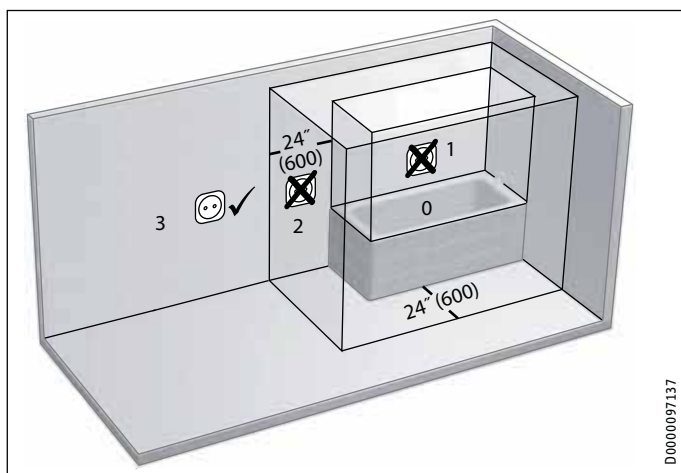
#### 12.1 Lugar de instalación

##### Instalación en los baños



##### ADVERTENCIA Electrocutación

Al instalar el calentador en habitaciones con baño y/o ducha, el calentador sólo puede ser conectado a un enchufe estándar o cableado fuera de las zonas de seguridad 0, 1 y 2. Las conexiones eléctricas deben estar al menos a 24 pulg. (600 mm) de distancia de la bañera o la ducha. En caso de duda, consulte a un contratista cualificado.



D0000097137

Zonas de seguridad eléctrica en el baño

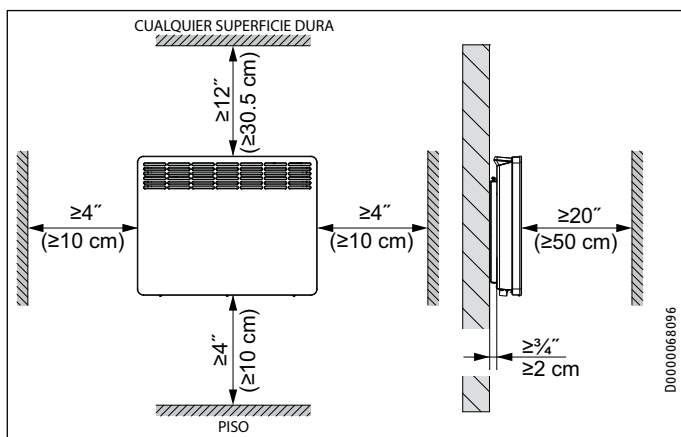
#### 12.2 Distancias mínimas con respecto a superficies duras



##### ADVERTENCIA Incendio

Los materiales combustibles, como muebles, papeles, ropa y cortinas, deben mantenerse al menos a 3 pies (0.9 m) del calentador.

Nunca coloque objetos o materiales inflamables, combustibles o aislantes, tales como ropa, mantas, revistas, recipientes con cera para pisos o gasolina, latas de aerosol o similares, sobre el aparato o cerca de él.



D0000068096

#### 12.3 Instalación del soporte de montaje en pared

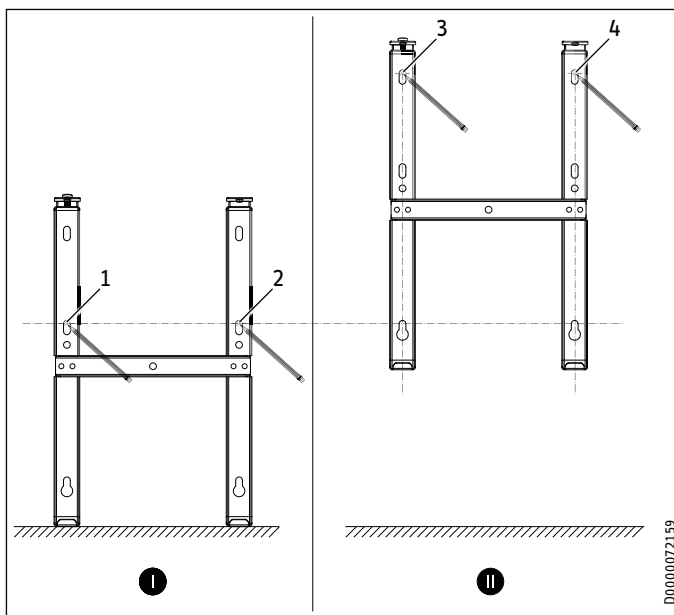
El calentador está diseñado para ser montado en una pared con el soporte suministrado.

Nunca instale el calentador directamente debajo de una toma de corriente.

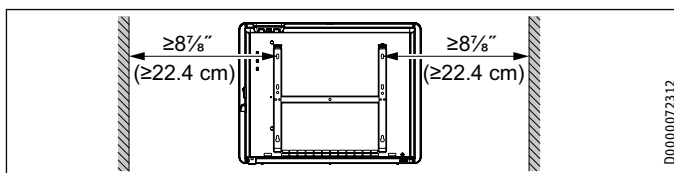


##### Nota

- El soporte de montaje en pared se puede usar como plantilla para el montaje. Esto asegura una distancia suficiente del piso.
- Use un nivel si el piso es irregular o está inclinado.



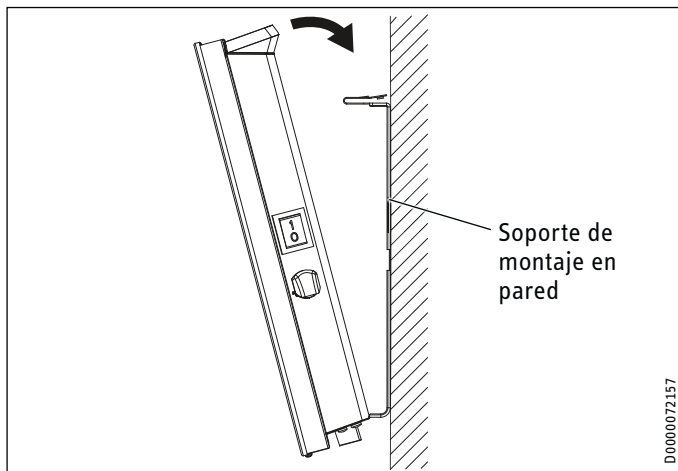
D0000072159



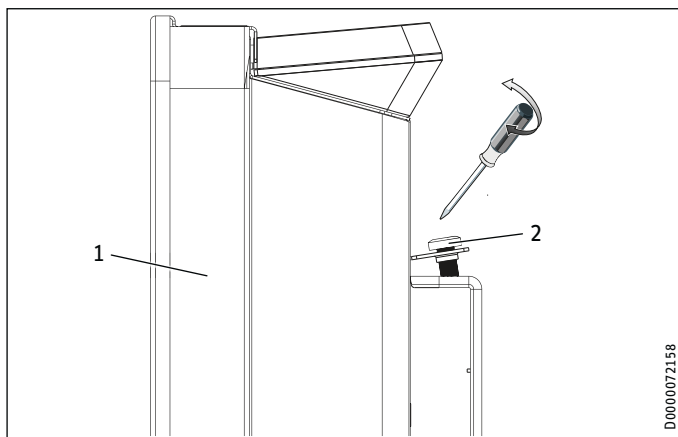
D0000072312

- ▶ Desenganche el soporte de montaje en pared del calentador.
- ▶ Coloque el soporte centrado horizontalmente en el piso. Marque los agujeros 1 y 2.
- ▶ Levante el soporte para que los agujeros inferiores se alineen con las marcas que acaba de hacer en la pared.
- ▶ Marque los agujeros 3 y 4.
- ▶ Taladre agujeros en las 4 marcas.
- ▶ Asegure el soporte con materiales de fijación adecuados (tornillos, anclajes de pared). Con las ranuras verticales, puede compensar los orificios de montaje desplazados.

### 12.4 Instalación del calentador



- ▶ Enganche el calentador en las pestañas inferiores del soporte de montaje en pared usando las ranuras de la parte posterior del calentador.
- ▶ Coloque el calentador en posición vertical.
- ▶ Asegure el calentador empujándolo hacia la pared hasta que encaje con los dos resortes superiores del soporte.



- 1 Calentador
- 2 Tornillos cautivos de bloqueo (adjuntos)

- ▶ Asegure el calentador para que no se suelte involuntariamente fijando los tornillos prisioneros de bloqueo suministrados en los lados izquierdo y derecho del soporte de montaje en pared.

### 12.5 Desmontaje del calentador

- ▶ Afloje los tornillos cautivos de bloqueo fijados al soporte de montaje en pared.
- ▶ Para desmontar el calentador, empuje hacia abajo los resortes que están en la parte superior del soporte.
- ▶ Aleje el calentador de la pared y retírelo de las pestañas inferiores del soporte de montaje en pared.

### 12.6 Conexión eléctrica



#### PELIGRO Electrocutación

- Realizar todas las conexiones e instalaciones eléctricas de acuerdo con los códigos de construcción nacionales, estatales y locales.
- El calentador debe poder ser separado de la fuente de alimentación por un aislante que desconecte todos los polos con una separación de contactos de al menos 1/8 pulg. (3 mm).



#### Pérdidas materiales

- Observe la placa de características. El voltaje especificado debe coincidir con el voltaje de la línea de suministro.
- Asegúrese de que el cable de suministro de energía tenga un calibre adecuado para cumplir con todos los códigos aplicables.

Nunca instale el calentador directamente debajo de una toma de corriente.

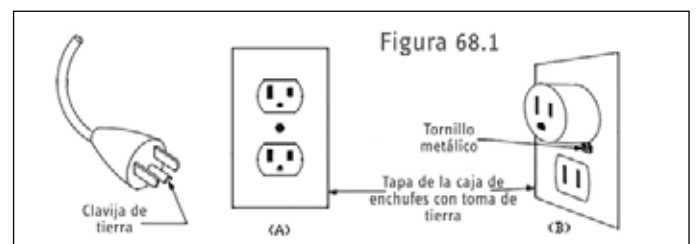
Los modelos CNS 100-1 Trend/Plus y CNS 150-1 Plus (modelos de 120 V) se suministran completamente cableados con un cable a tierra estándar de 120 V CA con enchufe. Para una conexión permanente opcional, estos modelos también pueden conectarse a un disyuntor de tamaño adecuado.

Los modelos CNS 100-2 Plus, CNS 150-2 Trend/Plus, CNS 200-2 Plus, CNS 300-2 Plus (208-240 V) deben conectarse a un disyuntor de tamaño adecuado. Consulte la sección 16.2, "Diagramas de cableado", pág. 30, y la sección 16.2, "Diagramas de cableado", pág. 30.

#### 12.6.1 ]Conexión de 120 V a una toma de corriente estándar

- ▶ Conecte el cable con enchufe del calentador CNS 100-1 Trend/Plus o CNS 150-1 Plus a una toma de corriente de 120 V con conexión a tierra.

Este calentador es para uso en 120 voltios. El cable tiene un enchufe como el mostrado en (A) en la figura 68.1. Un adaptador como el mostrado en (B) está disponible para conectar enchufes de tres hojas con conexión a tierra a receptáculos de dos ranuras. La lengüeta verde de conexión a tierra que se extiende desde el adaptador debe conectarse a una tierra permanente, como una caja de toma de corriente debidamente conectada a tierra. El adaptador no debe utilizarse si se dispone de un receptáculo de tres ranuras con conexión a tierra.



### 12.6.2 Conexión cableada a un interruptor de circuito



#### PELIGRO Electrocutación

Realizar todas las conexiones e instalaciones eléctricas de acuerdo con los códigos de construcción nacionales, estatales y locales.



#### ADVERTENCIA Electrocutación

En el caso de una conexión permanente, el calentador debe poder separarse de la fuente de alimentación mediante un aislador que desconecte todos los polos con al menos 3mm (1/8 de pulgada) de separación de contacto.



#### Pérdidas materiales

- Recorte el cable de alimentación para que conduzca directamente a la toma de conexión del calentador.
- Asegúrese de que, después de cortar el cable de alimentación, el calentador todavía se pueda desmontar de la pared sin problemas.

- ▶ Cuando realice el cableado opcional de los modelos de 120 V, recorte el cable de alimentación cortando el enchufe.
- ▶ Conecte el extremo recortado del cable de alimentación a una caja de conexiones adecuada. La caja de conexiones debe conectarse a un disyuntor de tamaño adecuado. Consulte la sección 16.2, "Diagramas de cableado", pág. 30, para ver los requisitos eléctricos.
- ▶ En las unidades de 208-240 V, hay un orificio ciego para la entrada de cables en la caja de conexiones en el centro de la parte superior trasera del calentador. En la caja de conexiones se incluyen cables con tuercas conectadas. Instale una abrazadera ROMEX de 1/2 pulgada en el orificio ciego para evitar que el cable de alimentación se salga del bloque de cableado durante la operación.
- ▶ El cable debe enrutarse desde un disyuntor de tamaño adecuado, a través de la abrazadera ROMEX, y conectarse mediante las tuercas en la caja de conexiones de la unidad. Consulte la sección 16.2, "Diagramas de cableado", pág. 30.
- ▶ Como alternativa, el instalador puede quitar los cables con tuercas del bloque de cableado del calentador, pasar un cable del calibre adecuado a través de la abrazadera ROMEX de 1/2 pulgada y conectar los extremos del cable directamente al bloque de cableado del calentador. Consulte la sección 16.2, "Diagramas de cableado", pág. 30.

### 12.6.3 Bloque de cableado

Consulte la tabla a continuación para conocer las especificaciones de torque recomendadas para los tornillos del bloque de cableado.

Tamaño del tornillo (mm)	Torsión mín. (N•cm)	Torsión mín. (lbf•in)
M3.5	60-80	5.31-7.08

El uso de las especificaciones de torsión adecuadas para fijar el cable al bloque de cableado ayuda a evitar pérdidas personales o daños a la propiedad.

## 13. Puesta en marcha

El calentador estará listo para funcionar tan pronto como se haya montado en la pared de la instalación y conectado a la fuente de alimentación.

- ▶ Retire la película protectora de la unidad de programación (solo modelos Plus).

## 14. Resolución de problemas

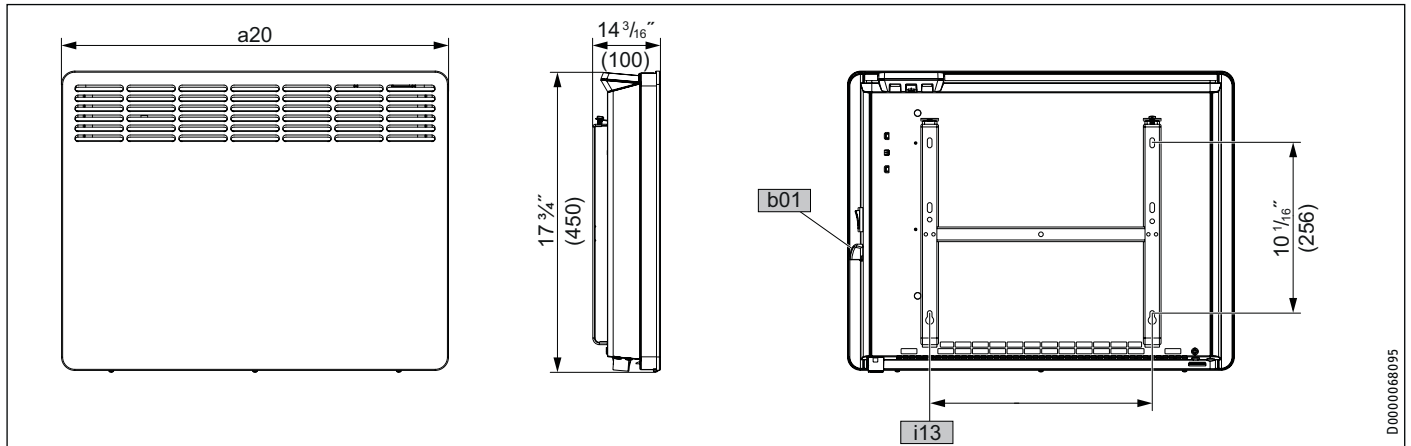
El cable de alimentación solo debe ser reemplazado (por ejemplo, si está dañado) por un contratista calificado autorizado por el fabricante, utilizando una pieza de repuesto original.

## 15. Transferencia del calentador

Explique las funciones del calentador al usuario. Haga especial hincapié en las instrucciones de seguridad. Entregue las instrucciones de funcionamiento e instalación al usuario.

### 16. Especificaciones

#### 16.1 Dimensiones y conexiones



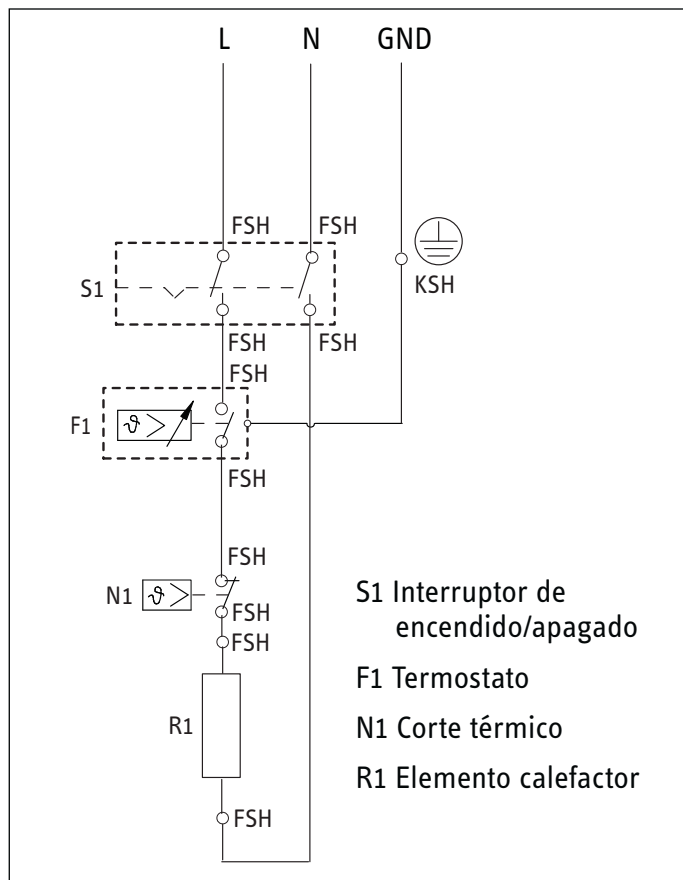
			CNS 100-1 Trend CNS 100-1 Plus CNS 100-2 Plus	CNS 150-1 Plus CNS 150-2 Trend CNS 150-2 Plus	CNS 200-2 Plus	CNS 300-2 Plus
a20	Calentador	Ancho	16 <sup>3</sup> / <sub>4</sub> pulg. (426 mm)	22 <sup>15</sup> / <sub>16</sub> pulg. (582 mm)	29 <sup>1</sup> / <sub>16</sub> pulg. (738 mm)	41 <sup>5</sup> / <sub>16</sub> pulg. (1050 mm)
b01	Entrada del cable eléctrico					
i13	Soporte de montaje en pared	Espaciado de los agujeros horizontales	7 <sup>1</sup> / <sub>16</sub> pulg. (179 mm)	13 <sup>3</sup> / <sub>16</sub> pulg. (335 mm)	19 <sup>5</sup> / <sub>16</sub> pulg. (491 mm)	31 <sup>5</sup> / <sub>8</sub> pulg. (803 mm)

# INSTALACIÓN

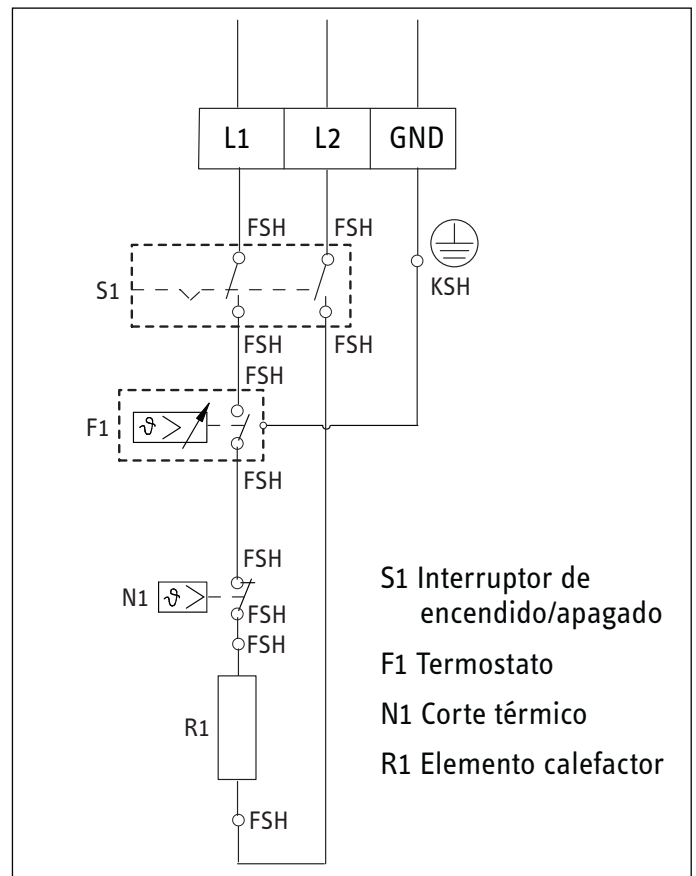
## Especificaciones

### 16.2 Diagramas de cableado

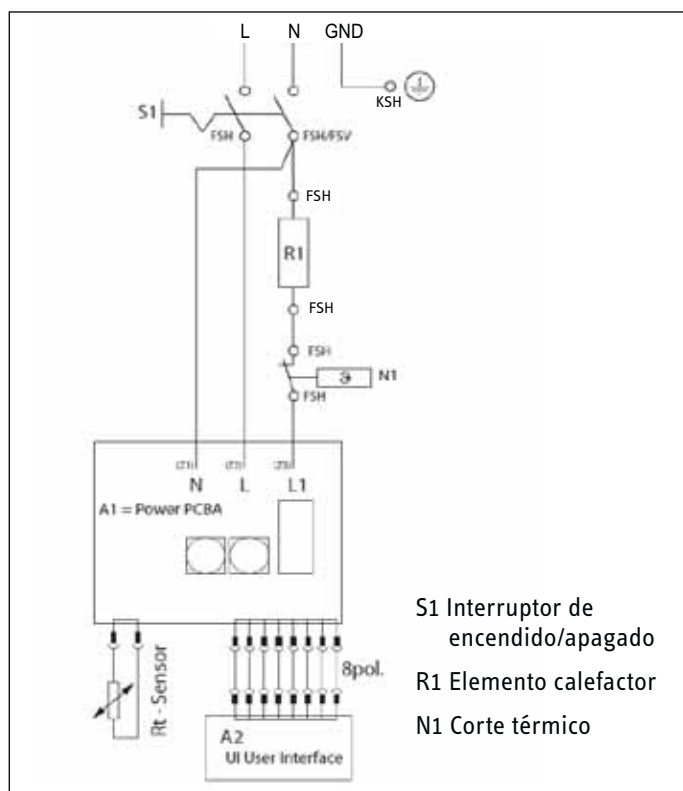
#### 16.2.1 CNS 100-1 Trend diagrama de cableado



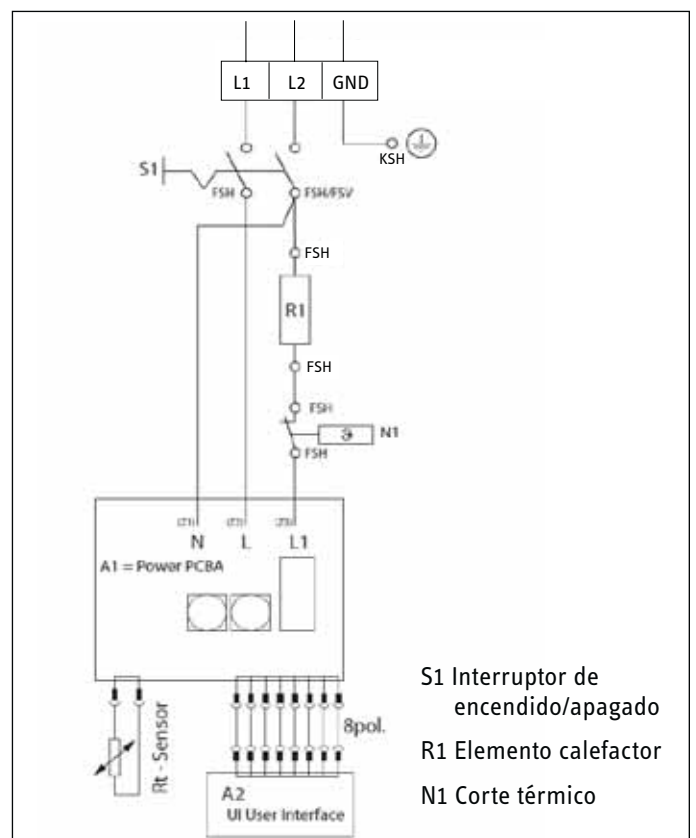
#### 16.2.3 CNS 100-2 Trend diagrama de cableado



#### 16.2.2 CNS 100-1 Plus, CNS 150-1 Plus diagrama de cableado



#### 16.2.4 CNS 100-2 Plus, CNS 150-2 Plus, CNS 200-2 Plus, CNS 300-2 Plus diagrama de cableado



# INSTALACIÓN

## Especificaciones

### 16.3 Tablas de datos

	CNS 100-1 Trend	CNS 150-2 Trend		CNS 100-1 Plus	CNS 150-1 Plus
Número de artículo	201991	201992		201994	201996
Datos eléctricos					
Fuente de alimentación - 60 Hz	fase única	fase única		fase única	fase única
Voltaje	120 V	240 V	208 V	120 V	120 V
Potencia	1000 W	1500 W	1125 W	1000 W	1500 W
Btu/hr	3412 Btu/hr	5118 Btu/hr	3839 Btu/hr	3412 Btu/hr	5118 Btu/hr
Amperaje	8.3 A	6.3 A	5.4 A	8.3 A	12.5 A
Tamaño de disyuntor requerido <sup>1</sup>	15 A	10 A	10 A	15 A	15 A
Tamaño de cable requerido <sup>1</sup>	14 AWG	14 AWG	14 AWG	14 AWG	14 AWG
Conexión eléctrica	Cable de alimentación con enchufe	Caja de conexiones, trasera		Cable de alimentación con enchufe	Cable de alimentación con enchufe
Dimensiones					
Altura	17 <sup>3</sup> / <sub>4</sub> pulg. (450 mm)				
Ancho	16 <sup>3</sup> / <sub>4</sub> pulg. (426 mm)	22 <sup>15</sup> / <sub>16</sub> pulg. (582 mm)		16 <sup>3</sup> / <sub>4</sub> pulg. (426 mm)	22 <sup>15</sup> / <sub>16</sub> pulg. (582 mm)
Profundidad	3 <sup>15</sup> / <sub>16</sub> pulg. (100 mm)				
Pesos					
Peso	10.1 lb (4.6 kg)	13.2 lb (6.0 kg)		10.1 lb (4.6 kg)	13.2 lb (6.0 kg)
Otros datos					
Tipo	Calentador de convección montado en la pared				
Color	Blanco alpino				
Ajustes					
Rango de temperatura	41-86 °F (5-30 °C)				
Configuración de protección contra heladas	45 °F (7 °C)				

<sup>1</sup> Esta es nuestra recomendación como fabricante. Revise los códigos locales para su cumplimiento si es necesario.

	CNS 100-2 Plus		CNS 150-2 Plus		CNS 200-2 Plus		CNS 300-2 Plus	
Número de artículo	201997		201998		201999		202000	
Datos eléctricos								
Fuente de alimentación - 60 Hz	fase única		fase única		fase única		fase única	
Voltaje	240 V	208 V	240 V	208 V	240 V	208 V	240 V	208 V
Potencia	1000 W	750 W	1500 W	1125 W	2000 W	1500 W	3000 W	2250 W
Btu/hr	3412 Btu/hr	2559 Btu/hr	5118 Btu/hr	3839 Btu/hr	6824 Btu/hr	5118 Btu/hr	10236 Btu/hr	7677 Btu/hr
Amperaje	4.2 A	3.6 A	6.3 A	5.4 A	8.3 A	7.2 A	12.5 A	10.8 A
Tamaño de disyuntor requerido <sup>1</sup>	10 A	10 A	10 A	10 A	15 A	15 A	15 A	15 A
Tamaño de cable requerido <sup>1</sup>	14 AWG	14 AWG	14 AWG	14 AWG	14 AWG	14 AWG	14 AWG	14 AWG
Conexión eléctrica	Caja de conexiones, trasera		Caja de conexiones, trasera		Caja de conexiones, trasera		Caja de conexiones, trasera	
Dimensiones								
Altura	17 <sup>3</sup> / <sub>4</sub> pulg. (450 mm)							
Ancho	16 <sup>3</sup> / <sub>4</sub> pulg. (426 mm)		22 <sup>15</sup> / <sub>16</sub> pulg. (582 mm)		29 <sup>1</sup> / <sub>16</sub> pulg. (738 mm)		41 <sup>5</sup> / <sub>16</sub> pulg. (1050 mm)	
Profundidad	3 <sup>15</sup> / <sub>16</sub> pulg. (100 mm)							
Pesos								
Peso	10.1 lb (4.6 kg)		13.2 lb (6.0 kg)		17.0 lb (7.7 kg)		24.0 lb (10.9 kg)	
Otros datos								
Tipo	Calentador de convección montado en la pared							
Color	Blanco alpino							
Ajustes								
Rango de temperatura	41-86 °F (5-30 °C)							
Configuración de protección contra heladas	45 °F (7 °C)							

<sup>1</sup> Esta es nuestra recomendación como fabricante. Revise los códigos locales para su cumplimiento si es necesario.

## 17. Garantía

### GARANTÍA LIMITADA

Sujeto a los términos y condiciones expresados en esta garantía limitada, Stiebel Eltron, Inc. (el "Fabricante") por la presente asegura al comprador original (el "Propietario") que cada calentador eléctrico de ambiente (el "Calentador") estará libre de defectos en los materiales del Fabricante o la mano de obra durante un período de tres (3) años a partir de la fecha de compra. Como única y exclusiva solución para el Propietario por incumplimiento de la presente garantía, el Fabricante, a discreción del Fabricante, enviará repuestos para reparación local, recuperará la unidad para su reparación en fábrica o reemplazará el Calentador defectuoso con una unidad de reemplazo que tenga características de funcionamiento comparables. La máxima responsabilidad del Fabricante en cualquier circunstancia se limitará al precio de compra del Calentador que pagó el Propietario.

Esta garantía limitada será la única garantía que ofrece el Fabricante y reemplaza a todas las demás garantías, expresas o implícitas, escritas u orales, incluidas pero no limitadas las garantías de comerciabilidad y aptitud para determinado fin. El Fabricante no será responsable de daños incidentales, consecuentes o contingentes o gastos que surjan directa o indirectamente de cualquier defecto del Calentador o el uso de este. El Fabricante no será responsable de cualquier daño a la propiedad del Propietario que surja directa o indirectamente de cualquier defecto del Calentador o el uso de este. Solo el Fabricante está autorizado a ofrecer todas las garantías de parte del Fabricante y ninguna afirmación, garantía o promesa realizada por cualquier otra parte será vinculante para el Fabricante.

El Fabricante no será responsable por daños de ningún tipo relacionados u ocasionados por:

1. cualquier uso indebido o falta de cuidado del Calentador, cualquier accidente que afecte al Calentador, cualquier alteración del Calentador o cualquier otro uso incorrecto;
2. casos fortuitos o circunstancias sobre las cuales el Fabricante no tiene control;

3. instalación del del Calentador que se desvíe de las directivas del Fabricante y no observe los códigos de construcción pertinentes;
4. falta de mantenimiento del Calentador o funcionamiento del Calentador que no sea conforme a las especificaciones del Fabricante;
5. instalación defectuosa y/o uso de materiales inapropiados por parte de cualquier instalador y que no se relacionen con defectos en los repuestos o la mano de obra del Fabricante;
6. cambio del Calentador de su lugar original de instalación;
7. funcionamiento en un voltaje o corriente inapropiada;
8. desarmado, reparación o alteración por cualquier persona que no sea el Fabricante.

Si el Propietario desea devolver el Calentador al Fabricante para su reparación o reemplazo bajo los términos de esta garantía, el Propietario debe obtener primero la autorización por escrito del Fabricante. El Propietario deberá presentar una prueba de compra que incluya la fecha de compra, y será responsable de todos los costos de desinstalación y transporte. Si el Propietario no puede demostrar la fecha de compra, esta garantía se limitará al período que corre a partir de la fecha de fabricación impresa en el Calentador. El Fabricante se reserva el derecho de negar la cobertura de esta garantía después de examinar el Calentador. Esta garantía se limita al Propietario y no puede transferirse.

Algunos estados y provincias no permiten la exclusión o limitación de ciertas garantías. En tales casos, las limitaciones aquí expresadas pueden no aplicarse al Propietario. En tales casos, esta garantía se limitará al período más corto y a los importes por daños más cortos permitidos por ley. Esta garantía le otorga derechos legales específicos y puede que usted tenga otros derechos, que varían de estado y de provincia a provincia.

El Propietario será responsable de todos los costos de mano de obra y otros cargos incurridos al retirar o reparar el Calentador en su domicilio.



**La instalación, conexión eléctrica y primera operación de este artefacto debe ser realizada por un instalador calificado.**



**La compañía no acepta responsabilidad alguna por la falla de cualquier artículo suministrado que no haya sido instalado y operado de acuerdo con las instrucciones del fabricante.**

### Medioambiente y reciclaje

Por favor ayúdenos a proteger el medioambiente eliminando el embalaje en concordancia con la normativa nacional para el tratamiento de residuos.

Esta Garantía solo es válida en Estados Unidos y Canadá. Las garantías pueden variar de un país a otro. Consulte a su representante de Stiebel Eltron local para conocer la Garantía correspondiente a su país.



**INSTRUCTIONS IMPORTANTES**

**UTILISATION**

<b>1. Généralités</b>	<b>32</b>
1.1 Consignes de sécurité	32
1.2 Autres symboles dans ce document	33
1.3 Renseignements sur le convecteur	33
1.4 Unités de mesure	33
<b>2. Sécurité</b>	<b>33</b>
2.1 Usage prévu	33
2.2 Généralités relatives à la sécurité	33
2.3 Symboles	34
<b>3. Enregistrez votre produit</b>	<b>34</b>
<b>4. Description du convecteur</b>	<b>34</b>
4.1 Activer et désactiver le convecteur	34
<b>5. Utilisation du CNS Trend</b>	<b>35</b>
5.1 Sélection de la température ambiante	35
5.2 Protection contre le gel	35
<b>6. Utilisation du CNS Plus</b>	<b>35</b>
6.1 Unité de programmation	35
6.2 Mode veille	36
<b>7. Réglages</b>	<b>36</b>
7.1 Dispositif de verrouillage de fonctionnement	36
7.2 Affichage normal	36
7.3 Menu normal	37
7.4 Menu de configuration	37
<b>8. Nettoyage, soin et entretien</b>	<b>39</b>
<b>9. Dépannage</b>	<b>39</b>

**INSTALLATION**

<b>10. Sécurité</b>	<b>39</b>
10.1 Généralités relatives à la sécurité	39
10.2 Directives, normes et règlements	40
<b>11. Description du convecteur</b>	<b>40</b>
11.1 Livraison normale	40
<b>12. Installation</b>	<b>40</b>
12.1 Site d'installation	40
12.2 Distances minimales par rapport aux surfaces dures	40
12.3 Installation du support mural	40
12.4 Installation du convecteur	41
12.5 Démontage du convecteur	41
12.6 Connexion électrique	41
<b>13. Mise en service</b>	<b>42</b>
<b>14. Dépannage</b>	<b>42</b>
<b>15. Remise du convecteur entre les mains de l'utilisateur</b>	<b>42</b>
<b>16. Spécifications</b>	<b>43</b>
16.1 Dimensions et connexions	43
16.2 Schémas de câblage	44
16.3 Tableaux de données	45
<b>17. Garantie</b>	<b>46</b>

# INSTRUCTIONS IMPORTANTES

## SAUVEGARDEZ CES INSTRUCTIONS

- Pour réduire le risque d'incendie, de choc électrique ou de blessures, respectez les directives suivantes lorsque vous utilisez des appareils électriques :
  1. Lire toutes les instructions avant d'installer ou d'utiliser ce convecteur.
  2. Cet appareil est chaud lorsqu'il est en marche. Pour éviter de vous brûler, ne touchez pas les surfaces chaudes avec la peau nue. Gardez les matériaux combustibles, comme les meubles, les coussins, la literie, le papier, les vêtements, etc. et les rideaux à au moins 1 m (3 pi) de distance du devant du convecteur et au moins à 1 m (3 pi) de distance latéralement et à l'arrière.
  3. Prenez de grandes précautions lorsque tout convecteur doit être utilisé en présence ou par des enfants ou des personnes invalides, ainsi que chaque fois qu'il est laissé en marche sans surveillance.
  4. Ne faites pas fonctionner tout convecteur qui aurait mal fonctionné préalablement. Débranchez le cordon électrique à la prise et faites examiner l'appareil par un électricien de bonne réputation avant de le réutiliser. Empêchez les enfants de moins de trois ans de s'approcher du convecteur s'ils ne peuvent pas être surveillés en permanence.
  5. Ne pas utiliser à l'extérieur.
  6. N'insérez pas ou ne laissez pas d'objets étrangers entrer dans une ouverture de ventilation ou d'évacuation, car cela pourrait provoquer un choc électrique ou un incendie, ou endommager le chauffage.
  7. Sauvegardez ces instructions.

- Les enfants âgés de 3 à 7 ans peuvent allumer et éteindre le convecteur à condition qu'ils soient étroitement surveillés ou qu'ils aient reçu des consignes concernant l'usage sécuritaire du convecteur et qu'ils comprennent les risques qu'ils courent. Ceci s'applique à condition que le convecteur ait été installé comme indiqué. Les enfants âgés de 3 à 7 ans ne doivent pas brancher le câble dans la prise ou ajuster le convecteur.
- Ce convecteur peut être utilisé par des enfants de 8 ans et plus et par des personnes dont les capacités physiques, sensorielles ou mentales sont diminuées ou n'ayant ni l'expérience ni les connaissances requises, à condition qu'ils soient étroitement surveillés et qu'ils aient reçu des consignes concernant l'usage sécuritaire du convecteur et qu'ils comprennent les risques qu'ils pourraient courir.
- Ne laissez jamais les enfants jouer avec ce convecteur. Les enfants ne doivent jamais nettoyer ce convecteur ni exécuter les opérations d'entretien réservées à l'utilisateur sans surveillance étroite.
- Les pièces de ce convecteur peuvent devenir très chaudes et pourraient provoquer des brûlures. Il faut particulièrement faire attention en présence d'enfants ou de personnes vulnérables.
- Pour empêcher la surchauffe du convecteur, ne le recouvrez jamais avec quoi que ce soit.
- N'installez jamais le convecteur directement sous une prise murale.
- Si ce convecteur possède une connexion fixe permanente, veillez à ce qu'il puisse être séparé de l'alimentation principale par le biais d'un sectionneur d'isolation qui permet de déconnecter tous les pôles grâce à une séparation de contact d'au moins 3 mm (1/8 po).
- Le câble d'alimentation ne peut être remplacé (par exemple s'il est endommagé) que par un technicien qualifié agréé par le fabricant utilisant une pièce de rechange d'origine.

- Fixez le convecteur comme indiqué dans le chapitre 12.4, « Installation du convecteur », p. 43

## UTILISATION

### 1. Généralités

Les chapitres intitulés « Renseignements spéciaux » et « Utilisation » sont prévus pour les utilisateurs de l'appareil et les entrepreneurs spécialisés.

Le chapitre « Installation » est uniquement à l'attention des entrepreneurs spécialisés.



#### Remarque

Lisez attentivement ces directives avant d'utiliser le convecteur puis mettez-les de côté pour référence ultérieure.

Transférez ce document à toute personne qui utilisera l'appareil.

#### 1.1 Consignes de sécurité

##### 1.1.1 Structure des consignes de sécurité



#### MOT CLÉ Type de risque

**Vous y trouverez la liste des conséquences éventuelles qui pourraient survenir si les consignes de sécurité ne sont pas respectées.**

► **Liste des mesures à prendre pour prévenir ces risques.**

#### Symboles, type de risque

Symbole	Type de risque
	Blessure
	Électrocution
	Brûlures (Brûlures, ébullition)

##### 1.1.2 Mots clés

MOT CLÉ	Signification
DANGER	Le non-respect de ces consignes entraînera des blessures graves, voire mortelles.
AVERTISSEMENT	Le non-respect de ces consignes pourrait entraîner des blessures graves, voire mortelles.
ATTENTION	Le non-respect de ces consignes pourrait entraîner des blessures mineures ou légères.

### 1.2 Autres symboles dans ce document



#### Remarque

Les généralités sont identifiées par le symbole ci-contre.  
► Lisez-les attentivement.

Symbole	Signification
	Pertes matérielles (Dommages du convecteur, pertes consécutives et pollution de l'environnement)
	Mise au rebut de l'appareil

► Ce symbole indique que vous devez faire quelque chose. L'action que vous devez entreprendre est décrite étape par étape.

### 1.3 Renseignements sur le convecteur

Symbole	Signification
	Ne recouvrez jamais le convecteur.

### 1.4 Unités de mesure



#### Remarque

Toutes les mesures sont données en mm (po) à moins d'indication contraire.

## 2. Sécurité

### 2.1 Usage prévu

Ce convecteur est conçu pour chauffer des pièces habitées.

Ce convecteur est prévu pour un usage domestique. Il peut être utilisé en toute sécurité par des personnes sans formation particulière. Ce convecteur peut également être utilisé en dehors d'un usage domestique, par exemple dans une petite entreprise, tant que son usage reste le même.

Tout autre usage au-delà de l'usage décrit sera jugé inapproprié. L'usage correct comprend également le respect de ces directives et de toutes les directives relatives aux accessoires utilisés de concert avec ce convecteur.

### 2.2 Généralités relatives à la sécurité



#### DANGER Électrocution

- Avant de nettoyer, veillez à ce que l'appareil ait été désactivé au panneau du disjoncteur et que l'élément chauffant du convecteur soit froid.



#### DANGER Incendie

Ne mettez jamais d'objets ni de matériaux inflammables, combustibles ou d'isolation, comme des vêtements qui viennent d'être lavés, des couvertures, des magazines, des contenants d'encaustique ou d'essence, des canettes de vaporisateur, ou tout autre objet du même genre sur l'appareil ou à proximité directe de celui-ci.



#### AVERTISSEMENT Incendie

Veillez à ce qu'aucun objet étranger ne pénètre dans les ouvertures de ventilation et d'échappement de l'air. Cela pourrait entraîner un choc électrique ou un incendie ou endommager l'appareil.



#### DANGER Incendie

N'utilisez jamais ce convecteur...

- si les distances minimales par rapport aux surfaces des objets adjacents ne sont pas respectées, par exemple des meubles, des voilages, des rideaux, des tissus ou d'autres matériaux inflammables (pour les distances minimales, cf. 12.2, « Distances minimales par rapport aux surfaces dures », p. 42).
- dans des pièces où l'appareil pourrait s'enflammer ou exploser du fait du contact avec des produits chimiques, de la poussière, des gaz ou des vapeurs.
- à proximité directe de conduites ou de conteneurs transportant ou contenant des produits inflammables ou explosifs.
- si des travaux du genre pose de câbles, meulage ou étanchéisation sont exécutés dans la pièce où l'appareil est installé.
- si l'on utilise des vaporisateurs, de l'encaustique ou des produits du même genre contenant de l'essence. Aérez suffisamment la pièce avant de mettre l'appareil en marche.
- si une pièce de l'appareil est endommagée, si l'appareil s'est renversé ou s'il a déjà eu une défaillance.
- à l'extérieur.



#### AVERTISSEMENT Incendie

Pour la prévention des incendies, veillez à ce que les admissions et sorties d'air ne soient jamais bouchées. Ne posez jamais l'appareil sur des surfaces molles comme un lit car cela pourrait boucher les ouvertures.



#### AVERTISSEMENT Brûlures

- Ne mettez jamais d'objets ou de matériaux inflammables, combustibles ou d'isolation sur le convecteur ou à proximité directe de celui-ci.
- Veillez à ce que l'admission et l'évacuation d'air ne soient jamais bouchées.
- Ne placez jamais quoi que ce soit entre le convecteur et le mur.

## Enregistrez votre produit

**AVERTISSEMENT Blessure**

Dans les pièces fermées, les températures peuvent atteindre rapidement des niveaux élevés. Faites en sorte qu'il y ait une surveillance permanente quand le convecteur est utilisé dans une petite pièce et que les personnes présentes ne peuvent ni régler le convecteur, ni quitter la pièce sans assistance.

**ATTENTION Brûlures**

Les pièces du convecteur peuvent devenir très chaudes et pourraient provoquer des brûlures. Il faut particulièrement faire attention en présence d'enfants ou de personnes vulnérables.

**AVERTISSEMENT Blessure**

- Empêchez les enfants de moins de trois ans de s'approcher du convecteur s'ils ne peuvent pas être surveillés en permanence.
- Les enfants âgés de 3 à 7 ans peuvent allumer et éteindre le convecteur à condition qu'ils soient étroitement surveillés ou qu'ils aient reçu des consignes concernant l'usage sécuritaire du convecteur et qu'ils comprennent les risques qu'ils courent. Ceci s'applique à condition que le convecteur ait été installé comme indiqué. Les enfants âgés de 3 à 7 ans ne doivent pas brancher le câble dans la prise ou ajuster le convecteur.
- Cet appareil peut être utilisé par des enfants de 8 ans et plus et par des personnes dont les capacités physiques, sensorielles ou mentales sont diminuées ou n'ayant ni l'expérience ni les connaissances requises, à condition qu'ils soient étroitement surveillés et qu'ils aient reçu des consignes concernant l'usage sécuritaire de l'appareil et qu'ils comprennent les risques qu'ils courent.
- Ne laissez jamais les enfants jouer avec ce convecteur. Les enfants ne doivent jamais nettoyer ce convecteur ni exécuter les opérations d'entretien réservées à l'utilisateur sans surveillance étroite.

**AVERTISSEMENT Surchauffe**

Pour empêcher la surchauffe du convecteur, ne le recouvrez jamais avec quoi que ce soit.

**Pertes matérielles**

- Veillez à ce que le câble d'alimentation ne touche pas le convecteur.
- Ne montez jamais sur le convecteur.
- N'utilisez jamais le convecteur en plein air, à l'extérieur.

**2.3 Symboles**

Cf. la plaque signalétique sur le convecteur.

**3. Enregistrez votre produit**

Vous devez enregistrer votre produit dans les 90 jours qui suivent la date d'achat sur notre site internet pour activer la garantie normale ou pour pouvoir réclamer la garantie prolongée. Rendez-vous à notre site internet à l'adresse suivante :

[www.stiebel-eltron-usa.com](http://www.stiebel-eltron-usa.com) et cliquez sur « Register Your Product » (enregistrez votre produit).

Avant de lancer le processus d'enregistrement, nous vous conseillons d'avoir à portée de main la documentation nécessaire, à savoir :

Type, Exemple : CNS 150-1 Plus (sur l'étiquette blanche qui se trouve sur le côté droit de l'appareil)

Numéro apparaissant après « No. » (N°)

Lieu d'achat

Date d'achat

Prénom et nom de famille

Adresse courriel

Adresse postale

Numéro de téléphone

En cas de questions à propos du processus d'enregistrement ou des options pour la garantie, veuillez contacter Stiebel Eltron USA directement en composant le (800) 582-5423.

**4. Description du convecteur**

Le convecteur est parfait comme système de chauffage indépendant ou il peut être utilisé au printemps et en automne comme chauffage d'appoint pour les pièces plus petites.

L'air à l'intérieur de l'appareil est chauffé par un élément chauffant et expulsé silencieusement par convection naturelle grâce à la décharge d'air située en haut. L'air intérieur froid est aspiré par la prise d'air située sur la face inférieure du chauffage.

Lorsque la température programmée pour la pièce est atteinte, elle est maintenue par le déclenchement régulier du chauffage.

**4.1 Activer et désactiver le convecteur****Remarque**

Il est possible qu'une odeur soit perçue pendant un petit moment lorsqu'on met l'appareil en marche pour la première fois ou après de longues périodes hors service.

Le convecteur est prêt à l'usage dès qu'il a été fixé au mur et branché dans une prise murale (modèles 120 V) ou avec une connexion permanente à un disjoncteur de taille appropriée (en option pour les modèles 120 V, obligatoire pour les modèles 208-240 V).

- ▶ Activez ou désactivez le convecteur à l'aide de l'interrupteur ON/OFF (MARCHE/ARRÊT) sur le côté droit de l'appareil.
- ▶ Désactivez le convecteur quand il ne sert pas pendant longtemps (par ex. en l'été).

Pour les modèles CNS Plus, tous les réglages restent intacts après la mise hors tension ou après une interruption de l'alimentation électrique. Ce chauffage est équipé d'une réserve de puissance

# Utilisation du CNS Trend

qui permet de conserver le jour de la semaine et l'heure pendant plusieurs heures.



**Remarque**

Si le CNS Plus a été éteint pendant une longue période avec un programme horaire activé, vous serez invité à régler le jour et l'heure après l'avoir rallumé. Tant que ces données n'ont pas été saisies, le chauffage fonctionne en mode confort.

Pour que la température ambiante soit maintenue efficacement, le chauffage doit avoir une puissance suffisante pour répondre à la demande de chauffage minimale requise de la pièce.

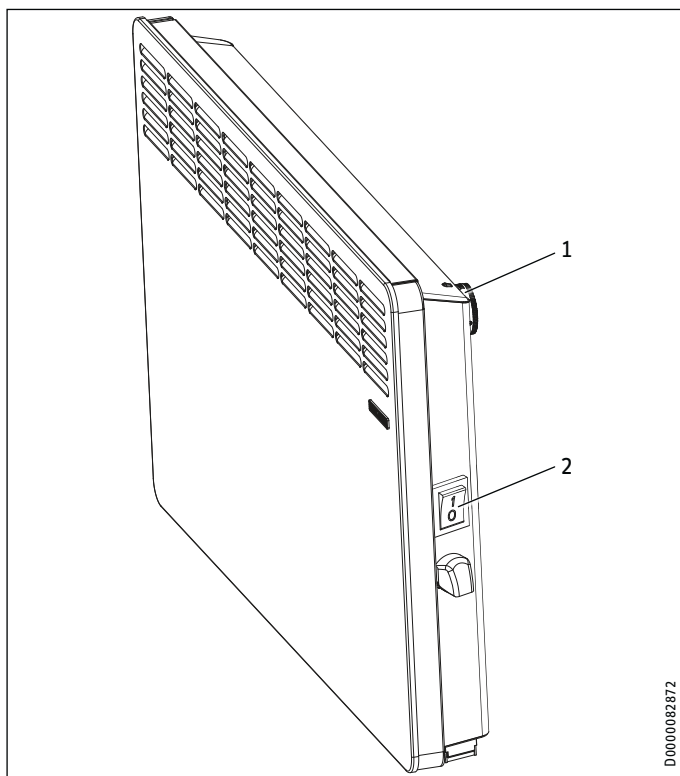
Si plusieurs appareils de chauffage sont installés dans une pièce, la température choisie pour chaque appareil peut être différente.



**Remarque**

Pour éviter un surcroît de consommation d'énergie, lorsque les fenêtres sont ouvertes, éteignez le convecteur lorsque vous aérez la pièce.

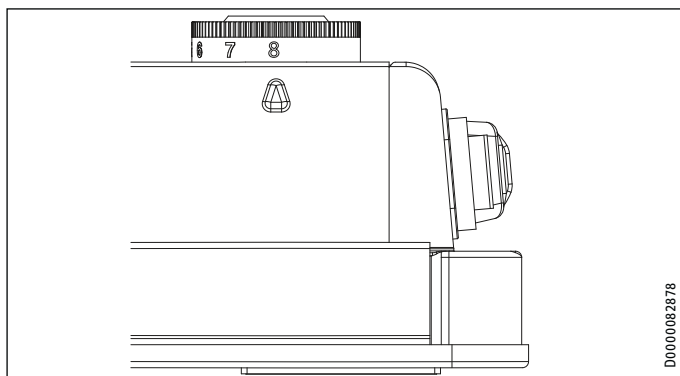
## 5. Utilisation du CNS Trend



- 1 Sélecteur de température
- 2 Interrupteur ON/OFF (MARCHE/ARRÊT)

### 5.1 Sélection de la température ambiante

► Réglez la température ambiante désirée à l'aide du sélecteur de température. Un utilisateur peut sélectionner une température comprise entre 5-30 °C (41-86 °F).



Lorsque la température ambiante souhaitée a été atteinte, elle est maintenue par un chauffage intermittent.

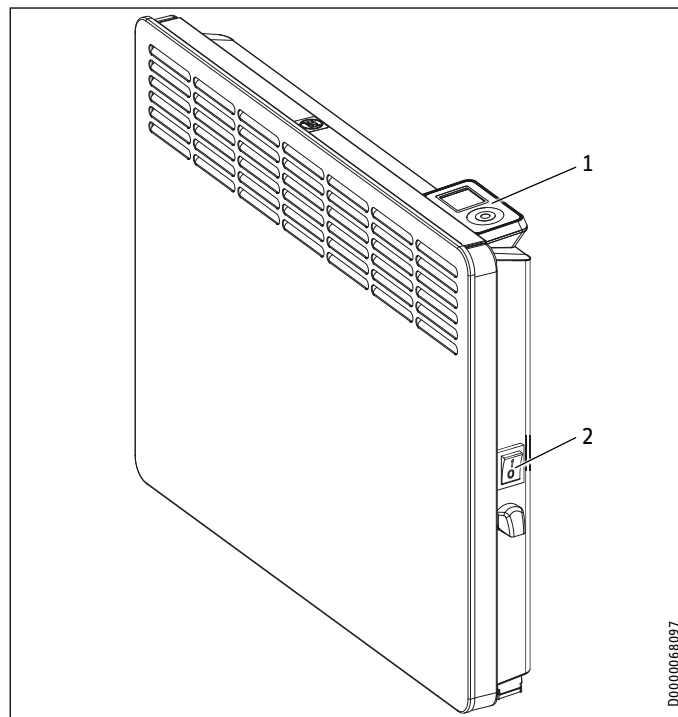
### 5.2 Protection contre le gel



► Mettez le sélecteur de température sur le symbole du gel.

À cette position, le convecteur s'active automatiquement si la température ambiante passe au-dessous de la température de protection contre le gel, soit 7 °C (45 °F).

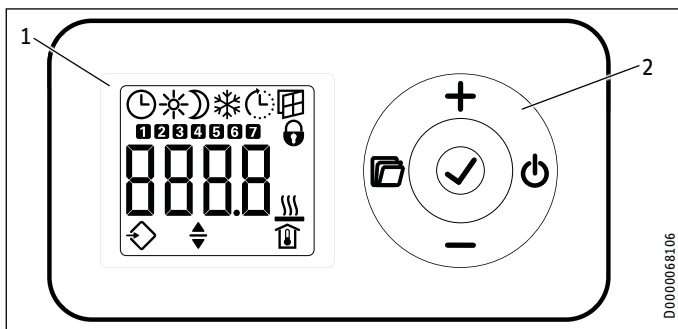
## 6. Utilisation du CNS Plus



- 1 Unité de programmation
- 2 Interrupteur ON/OFF (MARCHE/ARRÊT)

### 6.1 Unité de programmation

Le convecteur est contrôlé à l'aide du panneau de programmation qui se trouve sur l'avant de l'appareil.



- 1 Affichage  
2 Interface utilisateur

### 6.1.1 Interface utilisateur

Bouton	Désignation	Description
	Touche « Standby » (veille)	Active l'unité de programmation; met l'unité de programmation et le convecteur en mode veille
	Touche « OK »	Fait les sélections; Confirme les paramètres
	Touche « Menu »	Appelle et quitte le menu
	Touche « + »	Appelle les éléments de menu; Change les réglages
	Touche « - »	Appelle les éléments de menu; Change les réglages

### 6.1.2 Affichage

S'il n'y a aucune saisie par l'utilisateur pendant 20 secondes, le rétro-éclairage s'éteint. Appuyez sur n'importe quelle touche pour activer le rétro-éclairage à nouveau.

### Symboles

Symbole	Description
	Affichage de l'horloge : Indique l'heure actuelle ou l'heure de démarrage programmée Programmation horaire activée : Chauffe conformément à une programmation horaire qui a été activée.
	Mode confort : Le convecteur maintient la température de confort programmée constante. Réglage confort normal : 21 °C (70 °F). Utilisez ce réglage pour obtenir une température ambiante confortable lorsque la pièce est occupée.
	Mode nuit : Le convecteur maintient la température sélectionnée pour la nuit (plus basse). Réglage normal : 18 °C (64 °F). Utilisez ce réglage la nuit ou lorsque vous absentez pendant plusieurs heures.
	Protection contre le gel : Le symbole de la protection contre le gel s'affiche lorsque la température du convecteur est réglée à 7 °C (45 °F). Utilisez ce réglage pour protéger une pièce inoccupée contre les dégâts provoqués par le gel.
	Démarrage adaptatif : Avec la programmation horaire activée, les temps d'activation du convecteur sont réglés pour garantir que la température ambiante appropriée programmée est atteinte au moment où la programmation horaire doit commencer. Conditions : La fonction « démarrage adaptatif » est activée (Cf. Chapitre 7.3, « Menu normal », p. 39).

### Symbole Description

	Détection de fenêtre ouverte : Pour éviter un excès de consommation d'énergie lorsque vous aérez la pièce, le convecteur passe en mode de protection contre le gel pendant une heure lorsqu'une fenêtre est ouverte. Le symbole « détection de fenêtre ouverte » clignote. Après avoir aéré la pièce, le mode de protection contre le gel peut être désactivé manuellement en appuyant sur « + » ou « OK ». Le convecteur va ensuite se remettre à chauffer pour atteindre la température programmée. Les conditions suivantes doivent être remplies pour que la fonction « Détection de fenêtre ouverte » soit activée : - La température ambiante est fixée à 15 °C (59 °F) ou plus. - La température du chauffage chute brusquement d'au moins 3 °C (5,4 °F). - La détection de fenêtre ouverte est activée (Cf. Chapitre 7.3, « Menu normal », p. 39).
	Dispositif de blocage de fonctionnement : L'interface utilisateur est bloquée.
	Chauffage activé : L'appareil chauffe pour maintenir la température ambiante programmée.
	Affichage de la température ambiante
	Paramètre modifiable : Le paramètre illustré peut être modifié à l'aide de « + » et « - ».
	Jours de la semaine : 1 = Lundi, 2 = Mardi ... 7 = Dimanche

### 6.2 Mode veille

**! Pertes matérielles**  
En mode veille, le convecteur ne chauffera pas quelles que soient les circonstances. La protection contre le gel est désactivée jusqu'à ce que le mode veille du convecteur soit désactivé.

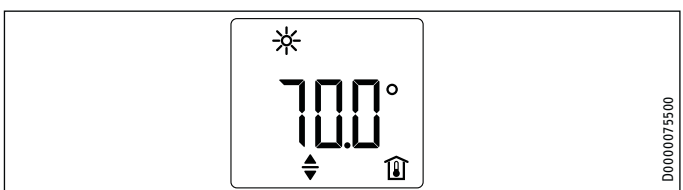
- Pour activer l'unité de programmation, appuyez sur « Standby » (veille). L'affichage normal apparaît.
- Pour mettre l'unité de programmation et le convecteur en mode veille, appuyez sur « Standby ». « - - - » s'affiche.

## 7. Réglages

### 7.1 Dispositif de verrouillage de fonctionnement

- Pour verrouiller ou déverrouiller l'interface utilisateur, appuyez sur « + » et « - » et maintenez-les enfoncés simultanément pendant 5 secondes.

### 7.2 Affichage normal



L'écran normal est affiché continuellement. Si aucune saisie utilisateur n'est détectée pendant 20 secondes lorsqu'il est dans le menu, l'appareil passe directement à l'affichage normal.

L'écran normal affiche la température ambiante programmée actuelle, ainsi que le symbole « paramètre modifiable ». Vous pouvez utiliser « + » et « - » pour changer la température ambiante programmée.

Si la température ambiante programmée correspond à l'une des valeurs associées aux réglages de température mode confort ou mode nuit, le symbole pour le mode de fonctionnement correspondant (mode confort, mode nuit) s'affichera sur la barre de menu.

La température ambiante programmée peut aussi être changée manuellement avec la programmation horaire active. La nouvelle température ambiante programmée sera maintenue jusqu'au prochain changement programmé.

### 7.3 Menu normal

Pour accéder au menu normal, appuyez brièvement sur « Menu ». Vous pouvez maintenant appeler les éléments de menu suivants :

Afficheur	Description
	Sélectionnez le jour de la semaine et l'heure
	Sélectionnez le réglage de la température de confort. La température de confort doit être au moins 0,5 °C (1 °F) de plus que la température en mode nuit.
	Sélectionnez le réglage de la température en mode nuit. La température en mode nuit doit être réglée à au moins 0,5 °C (1 °F) au-dessous de la température du confort.
	Activez ou désactivez la fonction « détection de fenêtre ouverte »
	Sélectionnez la programmation horaire (Pro1, Pro2, Pro3) ou désactivez (off-arrêt)
	Activez ou désactivez la fonction « démarrage adaptatif »

Pour changer le réglage d'un élément de menu, appelez l'élément de menu pertinent en utilisant « + » et « - ». Appuyez sur « OK ».

Dès que le symbole « paramètre modifiable » s'affiche, vous pouvez changer le réglage de l'élément de menu en utilisant « + » et « - ». Appuyez sur « OK » pour enregistrer le réglage.

Pour quitter le menu normal, appuyez sur « Menu ». L'affichage normal apparaît.

### 7.4 Menu de configuration

Afficheur	Description
I1-I2	Valeurs réelles
Pro1-Pro3	Programmations horaires
P1-P5	Paramètre

Dans le menu de configuration, vous pouvez appeler les valeurs réelles, définir les programmations horaires et régler les paramètres.

Pour accéder au menu de configuration, appuyez sur la touche « Menu » et maintenez-la enfoncée. Au bout de trois secondes, la valeur réelle I1 s'affiche.

Utilisez « + » et « - » pour basculer entre les valeurs réelles individuelles, les programmations horaires et les paramètres.

Pour quitter le menu de configuration, appuyez sur « Menu ». L'affichage normal apparaît.

#### 7.4.1 Valeurs réelles

Les valeurs réelles suivantes peuvent être appelées :

Afficheur	Description	Unit
I1	Température ambiante réelle	[°C]   [°F]
I2	Temps de chauffage relatif (Le compteur peut être remis à zéro via le paramètre P5).	[h]



#### Remarque

Le compteur pour la durée de chauffage relative (I2) compte la période de temps pendant laquelle le convecteur fonctionne en heures complètes. Lorsque le convecteur est désactivé, toute phase de chauffage de moins de 60 minutes n'est pas enregistrée.

#### 7.4.2 Programmations horaires

Il y a trois programmations horaires disponibles. Les programmations horaires Pro1 et Pro2 sont préconfigurées en usine. La programmation horaire Pro3 peut être réglée en fonction de vos besoins particuliers.

Afficheur	Description
Pro1	Programmation horaire « quotidienne » - Répétée : Lundi à dimanche\
Pro2	Programmation horaire « jours de la semaine » - Répétée : Lundi à vendredi
Pro3	Programmation horaire « définie par l'utilisateur » - jusqu'à 14 phases de confort, configurables à volonté



#### Remarque

Pour utiliser une programmation horaire, sélectionnez la programmation horaire désirée à partir du menu normal (Cf. section 7.3, « Menu normal », p. 39).



#### Remarque

Veillez à ce que le jour de la semaine et l'heure sont programmés correctement lorsque vous définissez les programmations horaires.

**Remarque**

Ce qui suit s'applique à toutes les programmations horaires (Pro1, Pro2, Pro3) :

Si l'heure programmée pour la fin de la période est après 23h59, l'heure de conclusion sera automatiquement reportée au jour suivant de la semaine. La phase de confort est maintenue au-delà de minuit et expirera le jour suivant à l'heure programmée.

**Programmations horaires Pro1 et Pro2**

Vous pouvez spécifier l'heure de lancement et de conclusion du mode confort avec les programmations horaires Pro1 et Pro2. Pendant cette période, le convecteur chauffe à la température confort programmée. En dehors de cette période de temps spécifiée, le convecteur fonctionne en mode nuit. Cela donne une phase de confort et une phase de nuit qui se répètent tous les jours (Pro1) ou tous les jours de la semaine de travail (Pro2).

- Ces phases sont programmées en usine comme suit :
- 8h00 - 22h00 : Mode confort :
- 22h00 - 8h00 : Mode nuit :

**Remarque**

Lorsque la programmation horaire Pro2 est activée, le convecteur fonctionne exclusivement en mode nuit pendant la fin de semaine.

Pour adapter les programmations horaires Pro1 et Pro2 en fonction de vos besoins, veuillez procéder comme suit :

- ▶ Dans le menu de configuration utilisez « + » et « - » pour appeler la programmation horaire voulue.
- ▶ Appuyez sur « OK ».
- ▶ L'heure de lancement pour le mode confort s'affiche.
- ▶ Utilisez « + » et « - » pour programmer l'heure de lancement désirée.
- ▶ Appuyez sur « OK ».
- ▶ L'heure de conclusion pour le mode confort s'affiche.
- ▶ Utilisez « + » et « - » pour programmer l'heure de conclusion désirée.
- ▶ Appuyez sur « OK pour enregistrer.

**Programmation horaire Pro3**

Vous pouvez utiliser la programmation horaire Pro3 pour spécifier jusqu'à 14 phases de confort indépendantes qui seront répétées toutes les semaines.

Pour configurer une phase de confort dans la programmation horaire Pro3, veuillez procéder comme suit :

- ▶ Dans le menu de configuration utilisez « + » et « - » pour appeler la programmation horaire Pro3.
- ▶ Appuyez sur « OK ».
- ▶ « 3--- » s'affiche.
- ▶ Appuyez sur « OK ».
- ▶ Un jour de la semaine ou un groupe de jours s'affiche.
- ▶ Utilisez « + » et « - » pour sélectionner le jour ou le groupe de jours désiré.
- ▶ Appuyez sur « OK ».

- ▶ L'heure de lancement pour le mode confort s'affiche.
- ▶ Utilisez « + » et « - » pour programmer l'heure de lancement désirée.
- ▶ Appuyez sur « OK ».
- ▶ L'heure de conclusion pour le mode confort s'affiche.
- ▶ Utilisez « + » et « - » pour programmer l'heure de conclusion désirée.
- ▶ Appuyez sur « OK ».
- ▶ La phase de confort « 3-01 » a été configurée.
- ▶ Pour configurer une autre phase de confort, utilisez « + » et « - » dans la programmation horaire Pro3 pour sélectionner l'affichage « 3--- ». Procédez comme décrit ci-dessus.

**Remarque**

Pour réinitialiser les phases de confort sélectionnées, activez le paramètre P4.

- ▶ Veuillez noter que l'activation du paramètre P4 remet toutes les programmations horaires (Pro1, Pro2, Pro3) aux réglages usines.

**7.4.3 Paramètres**

Vous pouvez appeler les paramètres suivants :

Afficheur	Description	Options
P1	Écart de température ambiante	±3 °C   ±5 °F
P2	Format de l'horloge	12 h   24 h
P3	Unités de l'affichage de température	°C   °F
P4	Réinitialise les programmations horaires (Pro1, Pro2, Pro3)	On (marche) off (arrêt)
P5	Réinitialise le temps de chauffage relatif	On (marche) off (arrêt)

Pour changer la valeur d'un paramètre, utilisez « + » et « - » pour appeler le paramètre en question. Appuyez sur « OK ».

Dès que le symbole « paramètre modifiable » s'affiche, vous pouvez changer la valeur du paramètre en utilisant « + » et « - ». Appuyez sur « OK » pour enregistrer la valeur sélectionnée.

**P1 : Écart de température ambiante**

Une distribution inégale de la température dans la pièce peut entraîner une différence entre la température réelle affichée I1 et la température ambiante que vous mesurez. Pour compenser cette différence, un écart de température ambiante de ±3 °C (±5 °F) peut être programmé par le biais du paramètre P1.

Exemple : Le convecteur indique que I1 = 21 °C (70 °F). Vous avez mesuré une température ambiante de 20 °C (68 °F), soit une différence de 1 °C (2 °F).

- ▶ Pour compenser la différence, sélectionnez un écart de P1 = -1,0 (-2,0).

**P2 : Format de l'horloge**

Le paramètre P2 vous permet de spécifier si l'heure sera affichée en format de 12 ou 24 heures.

**P3 : Unités de l'affichage de température**

Le paramètre P3 sert à spécifier si la température ambiante est affichée en degrés Fahrenheit [°F] ou en degrés Centigrade [°C].



## Nettoyage, soin et entretien

### P4 : Réinitialisation des programmations horaires

L'activation du paramètre P4 remet toutes les programmations horaires (Pro1, Pro2, Pro3) aux réglages usines.

### P5 : Réinitialise le temps de chauffage relatif

L'activation du paramètre P5 remet le compteur pour le temps de chauffage relatif (I2) à zéro.

## 8. Nettoyage, soin et entretien

Le convecteur ne contient aucune pièce pouvant être réparée par l'utilisateur.



### Pertes matérielles

- Ne vaporisez jamais du produit de nettoyage dans la fente d'air.
- Veillez à ce que l'humidité ne puisse pas pénétrer dans le convecteur.

- Si une tache brune claire apparaît sur le boîtier du convecteur, essuyez-la dès que possible à l'aide d'un chiffon humide.
- Nettoyez le convecteur lorsqu'il est froid avec des produits nettoyants ordinaires. Évitez les produits nettoyants abrasifs ou corrosifs.

## 9. Dépannage

Problème	Cause	Solution
La pièce ne se réchauffe pas suffisamment. Le convecteur ne devient pas chaud.	Température réglée trop bas sur le chauffage.  Pas d'alimentation électrique.	Vérifiez la température réglée sur le chauffage. Ajustez si nécessaire.  Vérifiez la position de l'interrupteur ON/OFF (marche/arrêt). Vérifiez que les appareils 120 V sont bien branchés dans la prise murale. Vérifiez que le disjoncteur auquel les unités avec une connexion fixe sont connectées n'a pas sauté. Réenclenchez-le si nécessaire.
La pièce ne se réchauffe pas suffisamment, mais le convecteur est chaud.	Surchauffe. L'interrupteur de sécurité de limite supérieure limite la chaleur produite par l'appareil.  La demande en chaleur de la pièce est supérieure à la chaleur produite par l'appareil.	Éliminez la cause (saletés ou débris bouchant l'admission ou l'évacuation d'air). Respectez les distances minimales.  Réduisez les sources de fuite de chaleur (fermez les fenêtres et les portes. Évitez d'aérer en permanence.)
La pièce devient trop chaude.	La température du convecteur est réglée à un niveau trop haut.	Vérifiez la température ambiante sélectionnée. Ajustez si nécessaire.

Problème	Cause	Solution
La détection de fenêtre ouverte ne répond pas (modèles Plus uniquement).	Le convecteur ne détecte pas une baisse importante de température lorsqu'il souffle. (La détection de fenêtre ouverte exige que la température ambiante ait été préalablement stable).	Patientez un moment après avoir fait les réglages sur le convecteur le temps que la température ambiante se soit bien stabilisée.  Évitez d'avoir des obstacles aux endroits où l'air entre le convecteur et l'air ambiant est échangé.  Mettez le convecteur manuellement en mode veille le temps que vous aériez.
La fonction « démarrage adaptatif » ne fonctionne pas comme voulu (modèles Plus uniquement).	Cette fonction n'est efficace que lorsqu'une programmation horaire est activée.  La température ambiante fluctue énormément ou la procédure d'apprentissage du convecteur n'a pas été complétée.	Activez la détection de fenêtre ouverte dans le menu normal.  Utilisez les programmations horaires pour optimiser au maximum la fonction de chauffage.  Patientez quelques jours pour que le comportement se stabilise.
« Err » ou « E... » s'affiche. (Modèles Premium uniquement)	Défaillance interne détectée.	Activez la fonction « démarrage adaptatif » dans le menu normal.  Avertissez un entrepreneur spécialisé.

Si vous ne pouvez pas remédier au problème, contactez votre entrepreneur spécialisé. Pour faciliter et expédier votre demande, fournissez le numéro inscrit sur la plaque signalétique (000000-0000-000000).

# INSTALLATION

## 10. Sécurité

Seul un entrepreneur spécialisé peut exécuter l'installation, la mise en service, l'entretien et la réparation du convecteur.

### 10.1 Généralités relatives à la sécurité

Nous garantissons que le convecteur fonctionnera sans problème et de manière fiable uniquement si les accessoires d'origine et les pièces après-vente d'origine ont été utilisés.



### DANGER Électrocution

Exécutez tous les travaux de branchement électrique et d'installation conformément aux codes nationaux, provinciaux et locaux de la construction.



### ATTENTION Brûlures

- Ne montez le convecteur que sur un mur vertical pouvant résister aux températures allant jusqu'à 85 °C (185 °F).
- Respectez les distances minimales vis-à-vis des objets adjacents.



### Pertes matérielles

- Si vous connectez le convecteur par le biais d'une prise murale, veillez à qu'elle soit facile à accéder une fois le convecteur installé.
- N'installez jamais le convecteur directement sous une prise murale.
- Veillez à ce que le câble ne touche aucun composant du convecteur.

## 10.2 Directives, normes et règlements



### Remarque

Respectez tous les règlements et directives nationaux et régionaux en vigueur.

## 11. Description du convecteur

### 11.1 Livraison normale

Les articles suivants sont livrés avec le convecteur :

- Support mural (qui s'accroche dans le convecteur)
- Câble électrique avec une prise 120 V (modèles 120 V uniquement, attaché)

## 12. Installation

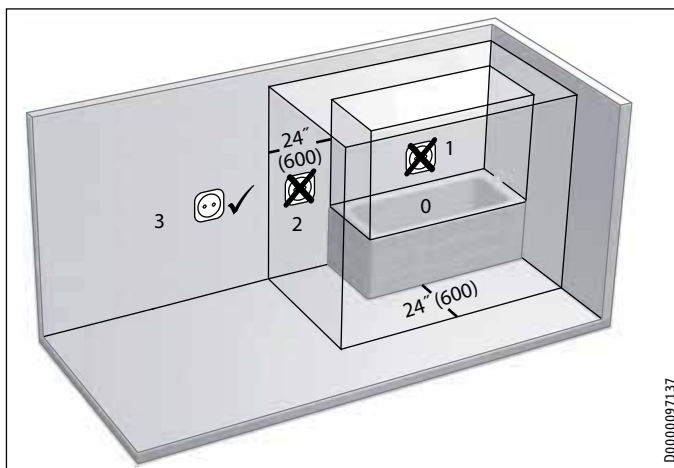
### 12.1 Site d'installation

#### Installation dans les salles de bains



### AVERTISSEMENT Électrocution

Lors de l'installation du chauffage dans des pièces avec bain et/ou douche, le chauffage ne peut être branché qu'à une prise standard ou câblé en dehors des zones de sécurité 0, 1 et 2. Tout branchement électrique doit se faire à une distance minimale de 600 mm (24 po.) d'une baignoire ou d'une douche. En cas de doute, consultez un entrepreneur qualifié.



Zones de sécurité électrique dans la salle de bains

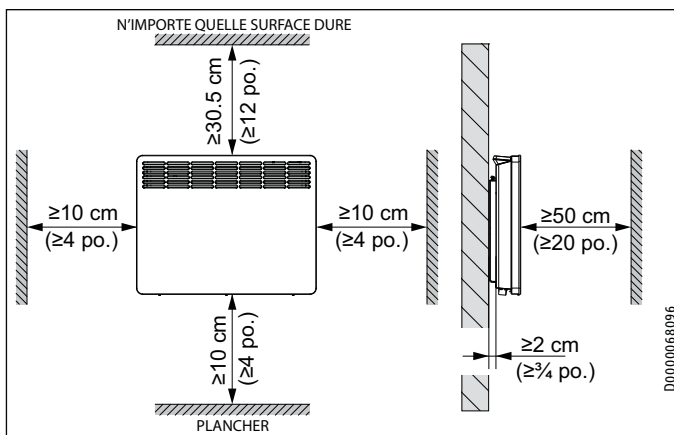
### 12.2 Distances minimales par rapport aux surfaces dures



### AVERTISSEMENT Incendie

Les matériaux combustibles comme les meubles, les papiers, les vêtements et les rideaux doivent être à au moins 0,9 m (3 pi) du convecteur.

Ne mettez jamais d'objets ni de matériaux inflammables, combustibles ou d'isolation, comme des vêtements qui viennent d'être lavés, des couvertures, des magazines, des contenants d'encaustique ou d'essence, des canettes de vaporisateur, ou tout autre objet du même genre sur l'appareil ou à proximité directe de celui-ci.



### 12.3 Installation du support mural

Le convecteur est prévu pour la fixation au mur à l'aide du support mural fourni.

N'installez jamais le convecteur directement sous une prise murale.

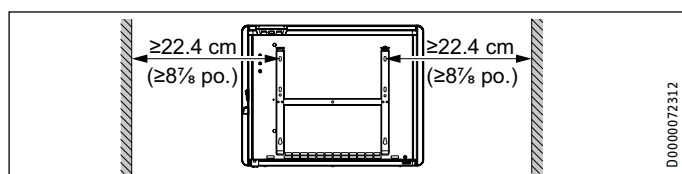
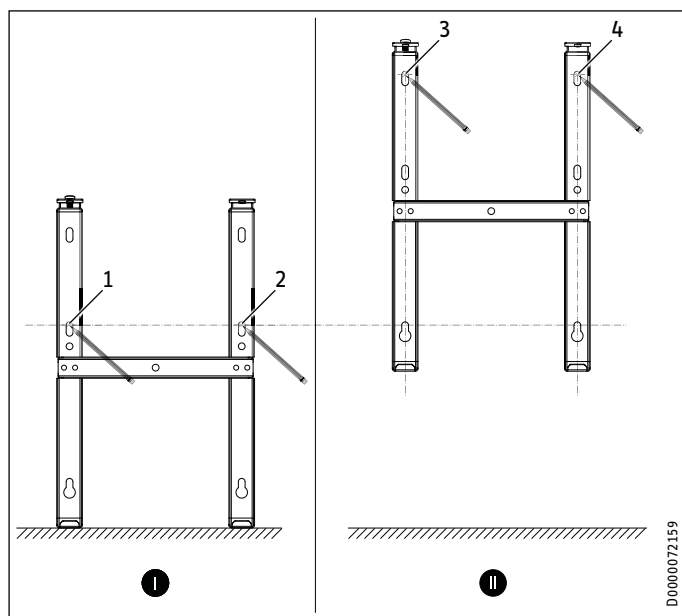


### Remarque

- Le support mural peut servir de gabarit pour la fixation au mur. Cela garantit une distance adéquate par rapport au plancher.
- Utilisez un niveau si le sol est irrégulier ou en pente.

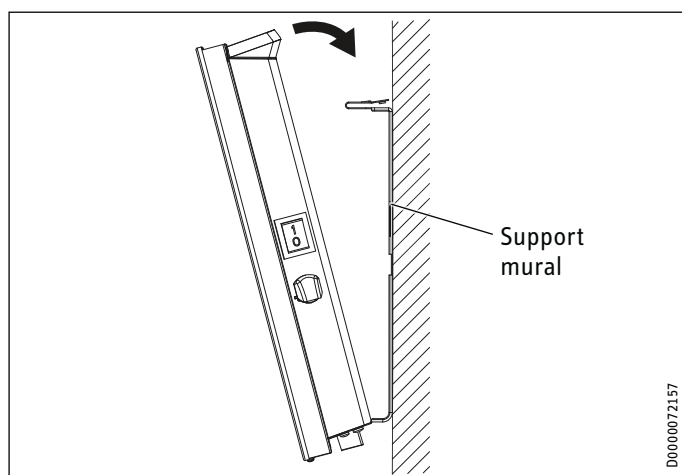
# INSTALLATION

## Installation



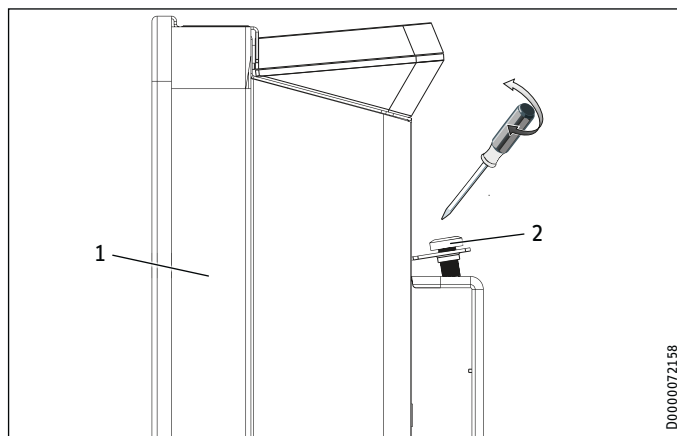
- ▶ Débranchez le support mural du convecteur.
- ▶ Posez le support mural centré horizontalement sur le plancher. Faites des repères pour les trous 1 et 2.
- ▶ Soulevez le support mural de sorte que ses trous inférieurs soient en face des repères que vous venez de faire sur le mur.
- ▶ Faites les repères pour les trous 3 et 4 sur le mur.
- ▶ Percez les trous aux quatre repères.
- ▶ Fixez le support mural avec du matériel de fixation approprié (vis, ancrés murales). Avec les fentes verticales, vous pouvez compenser un trou de fixation légèrement décalé.

### 12.4 Installation du convecteur



- ▶ Accrochez le convecteur sur les languettes inférieures du support mural à l'aide des fentes situées à l'arrière du convecteur.
- ▶ Mettez le convecteur debout.

- ▶ Fixez le convecteur en le poussant vers le mur jusqu'à ce que vous entendiez un déclic qui indique que les deux ressorts supérieurs du support mural ont été enclenchés.



- 1 Convecteur
- 2 Vis de blocage imperdables (attachées)

- ▶ Fixez le convecteur de façon à ce qu'il ne puisse pas être dégagé par inadvertance en utilisant les vis de blocage imperdables fournies sur le côté droit et sur le côté gauche du support mural.

### 12.5 Démontage du convecteur

- ▶ Desserrez les vis de blocage imperdables vissées dans le support mural.
- ▶ Pour dégager le convecteur, appuyez sur les ressorts qui se trouvent sur le dessus du support mural.
- ▶ Inclinez le convecteur en l'éloignant du mur et soulevez pour le dégager des languettes inférieures du support mural.

### 12.6 Connexion électrique



#### WARNING Électrocution

- Effectuer tous les travaux de raccordement et d'installation électrique conformément à la réglementation en vigueur.
- Le chauffage doit pouvoir être séparé de l'alimentation électrique par un isolateur qui déconnecte tous les pôles avec une séparation des contacts d'au moins 1/8 po (3 mm).



#### Pertes matérielles

- Examinez la plaque signalétique. La tension spécifiée doit correspondre à la tension d'alimentation.
- Veillez à ce que le câble d'alimentation sur le terrain est de taille suffisante pour satisfaire à tous les codes en vigueur.

N'installez jamais le convecteur directement sous une prise murale.

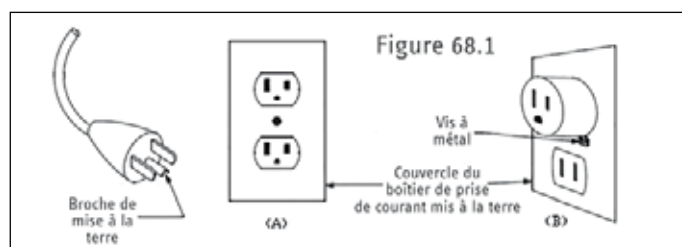
Les modèles CNS 100-1 Trend/Plus et CNS 150-1 Plus (Modèles 120 V) sont fournis prêts à être raccordés avec un câble standard de mise à la terre 120 V c.a. avec fiche. Pour une connexion permanente optionnelle, ces modèles peuvent aussi être raccordés de manière permanente avec un câble à un disjoncteur de taille appropriée.

Les modèles CNS 100-2 Plus, CNS 150-2 Trend/Plus, CNS 200-2 Plus, CNS 300-2 Plus (208-240 V) doivent être raccordés à un disjoncteur de taille appropriée. Cf. section 16.3, « Tableaux de données », p. 47, et section 16.2, « Schémas de câblage », p. 46.

### 12.6.1 Connexion 120 V à une prise murale normale

- Branchez la fiche du câble attaché du convecteur CNS 100-1 Trend/Plus ou CNS 150-1 Plus dans la prise murale mise à la terre 120 V.

Ce chauffage est destiné à être utilisé sur 120 volts. Le cordon est muni d'une fiche comme indiqué en (A) sur la figure 68.1. Un adaptateur (B) permet de brancher des fiches à trois broches avec mise à la terre sur des prises à deux fentes. La cosse verte de mise à la terre sortant de l'adaptateur doit être reliée à une terre permanente telle qu'une boîte de prise de courant correctement mise à la terre. L'adaptateur ne doit pas être utilisé si une prise de courant à trois fentes avec mise à la terre est disponible.



### 12.6.2 Connexion fixe à un disjoncteur



#### DANGER Électrocution

Exécutez tous les travaux de branchement électrique et d'installation conformément aux codes nationaux, provinciaux et locaux de la construction.



#### AVERTISSEMENT Électrocution

Si ce convecteur possède une connexion permanente, il doit pouvoir être séparé de l'alimentation principale par le biais d'un sectionneur d'isolation qui permet de déconnecter tous les pôles grâce à une séparation de contact d'au moins 3 mm (1/8 po).



#### Pertes matérielles

- Raccourcissez le câble de sorte qu'il mène directement à la prise de raccordement du convecteur.
- Veillez qu'après avoir découpé le câble d'alimentation, il est encore possible de retirer le convecteur du mur sans problème.

- Lorsque vous raccordez directement les modèles 120 V (optionnel), raccourcissez le câble en coupant la fiche.
- Raccordez l'extrémité découpée du câble à une boîte de dérivation pour appareil ménager. La boîte de dérivation doit être raccordée à un disjoncteur de taille appropriée. Cf. section 16.3, « Tableaux de données », p. 47, pour la configuration électrique.

- Pour les modèles 208-240 V, vous verrez une ouverture défonçable pour les câbles dans la boîte de dérivation située au centre de la partie arrière supérieure du convecteur. Vous verrez aussi dans la boîte de dérivation des fils sur lesquels sont attachés des capuchons de connexion. Installez un collier ROMEX de 12,5 mm (1/2 po) dans l'ouverture défonçable pour empêcher que l'on puisse sortir le câble du bloc de connexion pendant l'utilisation de l'appareil.
- Il faut faire passer le câble d'un disjoncteur de taille appropriée, par le collier ROMEX, et le raccorder à l'aide des capuchons de connexion dans la boîte de dérivation de l'appareil. Cf. section 16.2, « Schémas de câblage », p. 46.
- Il est aussi possible que l'installateur retire les câbles fournis avec les capuchons du bloc de connexion du convecteur pour faire passer un câble de taille appropriée par le collier ROMEX 12,5 mm (1/2 po) et raccorder les extrémités du câble directement au bloc de connexion du convecteur. Cf. section 16.2, « Schémas de câblage », p. 46.

### 12.6.3 Bloc de connexion

Consultez le tableau ci-dessous pour identifier le couple recommandé pour les vis du bloc de connexion.

Taille de vis (mm)	Couple min. (N•cm)	Couple min. (lbpi•po)
M3.5	60-80	5.31-7.08

L'utilisation des spécifications correctes de couple pour fixer le bloc de connexion permet d'éviter des blessures ou des dégâts matériels.

## 13. Mise en service

Le convecteur est prêt à être utilisé dès qu'il a été monté au mur et raccordé à l'alimentation électrique.

- Retirez le film de protection de l'écran de l'unité de programmation (modèles Plus uniquement).

## 14. Dépannage

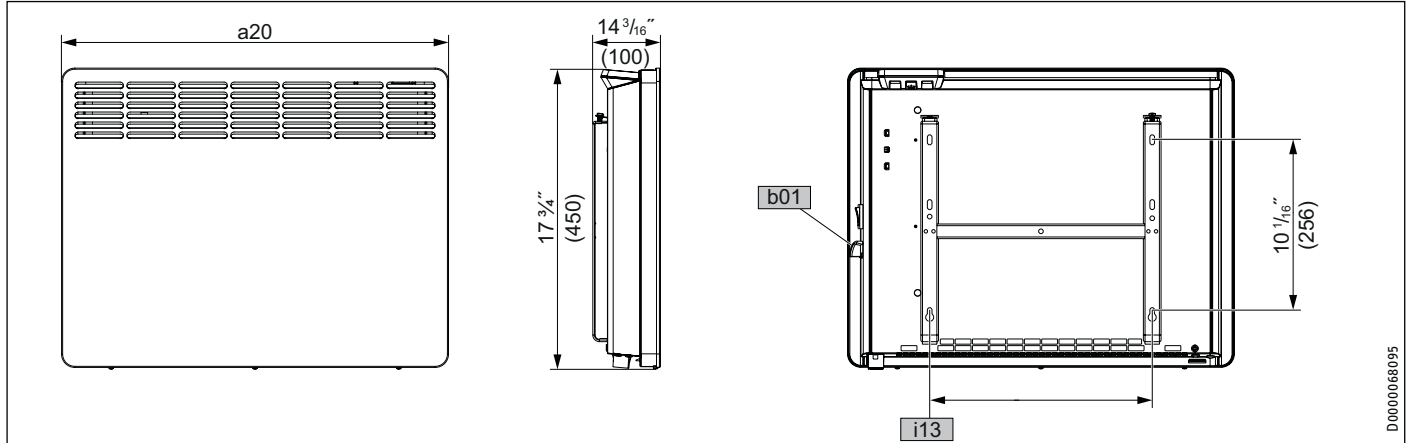
Le câble d'alimentation ne peut être remplacé (par exemple s'il est endommagé) que par un technicien qualifié agréé par le fabricant utilisant une pièce de rechange d'origine.

## 15. Remise du convecteur entre les mains de l'utilisateur

Expliquez les fonctions du convecteur à la personne qui va l'utiliser. Attirez en particulier l'attention de votre interlocuteur sur les renseignements relatifs à la sécurité. Remettez le mode d'emploi et les directives d'installation à la personne qui va l'utiliser.

## 16. Spécifications

### 16.1 Dimensions et connexions



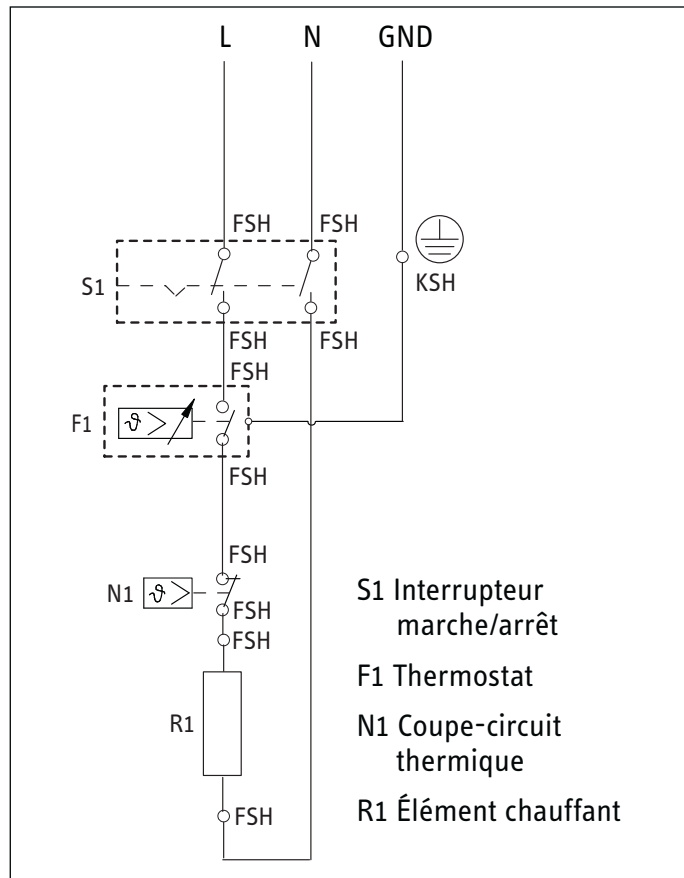
			CNS 100-1 Trend CNS 100-1 Plus CNS 100-2 Plus	CNS 150-1 Plus CNS 150-2 Trend CNS 150-2 Plus	CNS 200-2 Plus	CNS 300-2 Plus
a20	Heater	Width	426 mm (16 <sup>3</sup> / <sub>4</sub> po.)	582 mm (22 <sup>15</sup> / <sub>16</sub> po.)	738 mm (29 <sup>1</sup> / <sub>16</sub> po.)	1050 mm (41 <sup>5</sup> / <sub>16</sub> po.)
b01	Electrical cable entry					
i13	Wall mounting bracket	Horizontal hole spacing	179 mm (7 <sup>1</sup> / <sub>16</sub> po.)	335 mm (13 <sup>3</sup> / <sub>16</sub> po.)	491 mm (19 <sup>5</sup> / <sub>16</sub> po.)	803 mm (31 <sup>5</sup> / <sub>8</sub> po.)

# INSTALLATION

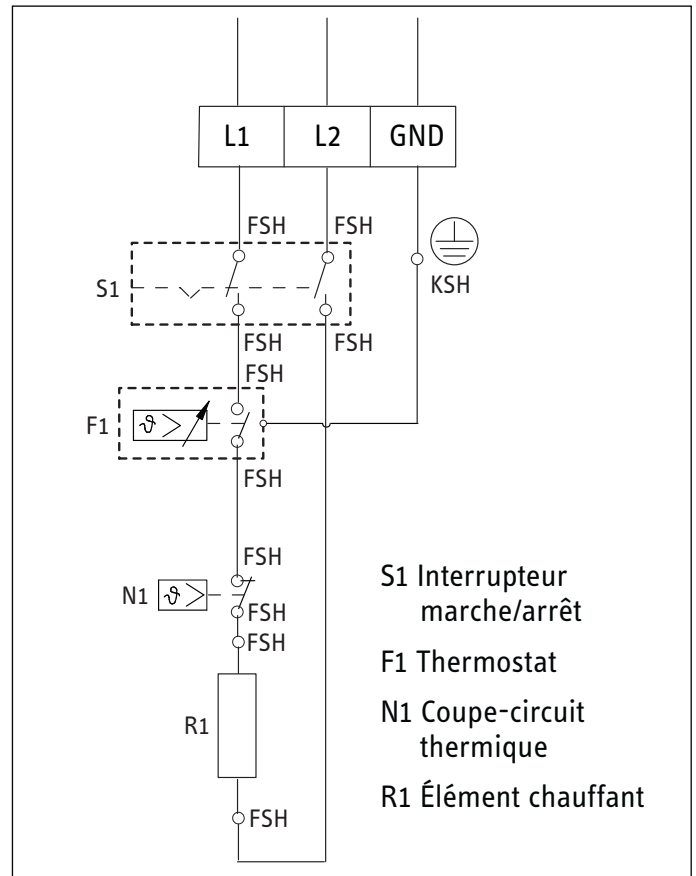
## Spécifications

### 16.2 Schémas de câblage

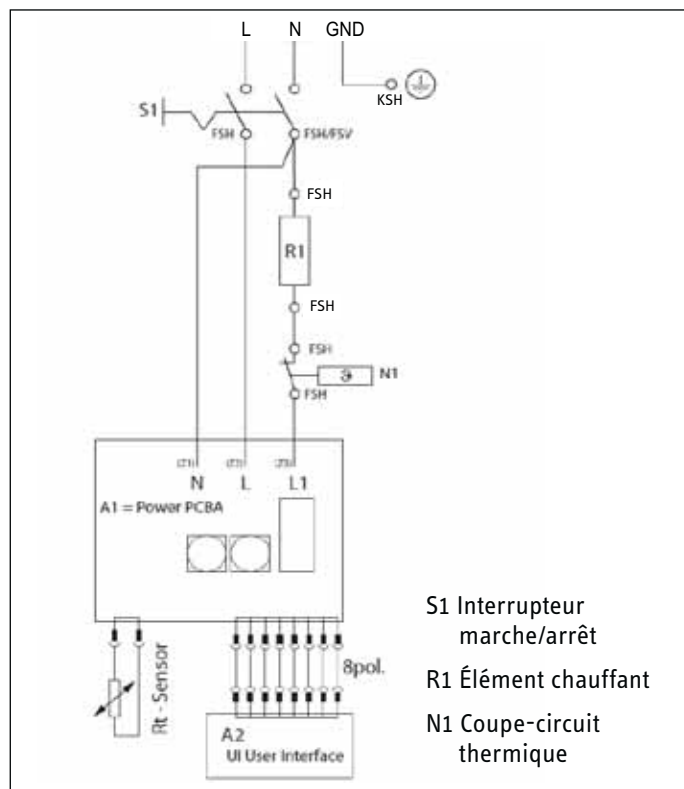
#### 16.2.1 CNS 100-1 Trend schéma de câblage



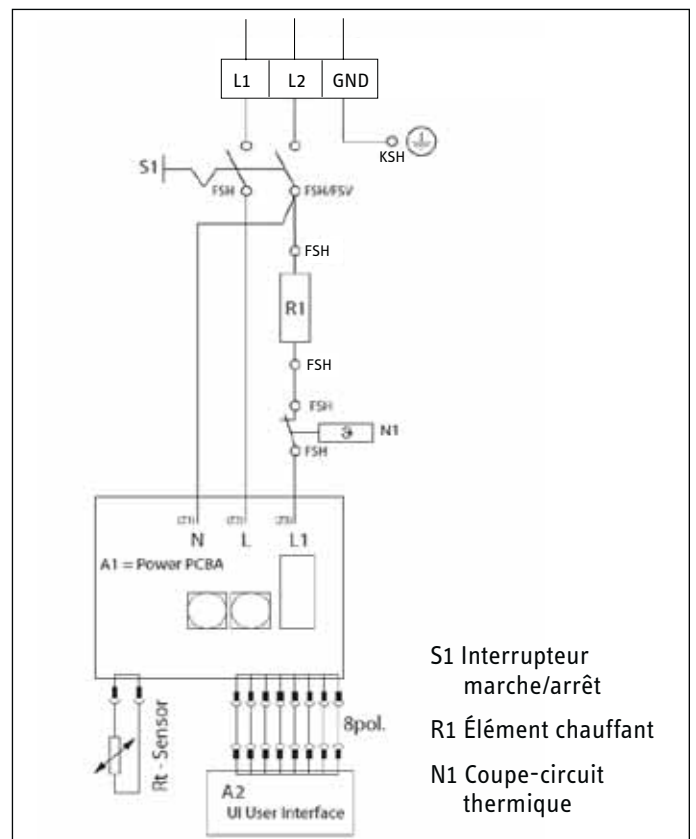
#### 16.2.3 CNS 100-2 Trend schéma de câblage



#### 16.2.2 CNS 100-1 Plus, CNS 150-1 Plus schéma de câblage



#### 16.2.4 CNS 100-2 Plus, CNS 150-2 Plus, CNS 200-2 Plus, CNS 300-2 Plus schéma de câblage



# INSTALLATION

## Spécifications

### 16.3 Tableaux de données

	CNS 100-1 Trend	CNS 150-2 Trend		CNS 100-1 Plus	CNS 150-1 Plus
Numéro d'article	201991	201992		201994	201996
Données électriques					
Configuration électrique - 60 Hz	monophasé	monophasé		monophasé	monophasé
Tension	120 V	240 V	208 V	120 V	120 V
Puissance	1000 W	1500 W	1125 W	1000 W	1500 W
Btu/hr	3412 Btu/hr	5118 Btu/hr	3839 Btu/hr	3412 Btu/hr	5118 Btu/hr
Ampérage	8,3 A	6,3 A	5,4 A	8,3 A	12,5 A
Taille exigée du disjoncteur <sup>1</sup>	15 A	10 A	10 A	15 A	15 A
Taille exigée du câble <sup>1</sup>	14 AWG	14 AWG	14 AWG	14 AWG	14 AWG
Configuration électrique	Câble d'alimentation avec fiche	Boîte de dérivation, arrière		Câble d'alimentation avec fiche	Câble d'alimentation avec fiche
Dimensions					
Hauteur	450 mm (17 <sup>3</sup> / <sub>4</sub> po)				
Largeur	426 mm (16 <sup>3</sup> / <sub>4</sub> po)	582 mm (22 <sup>15</sup> / <sub>16</sub> po)		426 mm (16 <sup>3</sup> / <sub>4</sub> po)	582 mm (22 <sup>15</sup> / <sub>16</sub> po)
Profondeur	100 mm (3 <sup>15</sup> / <sub>16</sub> po)				
Poids					
Poids	4,6 kg (10,1 lb)	6,0 kg (13,2 lb)		4,6 kg (10,1 lb)	6,0 kg (13,2 lb)
Autres données					
Type	Chauffage à convection mural				
Couleur	Blanc alpin				
Paramètres					
Plage de température	5-30 °C (41-86 °F)				
Réglage pour la protection contre le gel	7 °C (45 °F)				

<sup>1</sup> C'est ce que nous recommandons en tant que fabricant. Vérifiez la conformité aux codes locaux si nécessaire.

	CNS 100-2 Plus		CNS 150-2 Plus		CNS 200-2 Plus		CNS 300-2 Plus	
Numéro d'article	201997		201998		201999		202000	
Données électriques								
Configuration électrique - 60 Hz	monophasé		monophasé		monophasé		monophasé	
Tension	240 V	208 V	240 V	208 V	240 V	208 V	240 V	208 V
Puissance	1000 W	750 W	1500 W	1125 W	2000 W	1500 W	3000 W	2250 W
Btu/hr	3412 Btu/hr	2559 Btu/hr	5118 Btu/hr	3839 Btu/hr	6824 Btu/hr	5118 Btu/hr	10236 Btu/hr	7677 Btu/hr
Ampérage	4,2 A	3,6 A	6,3 A	5,4 A	8,3 A	7,2 A	12,5 A	10,8 A
Taille exigée du disjoncteur <sup>1</sup>	10 A	10 A	10 A	10 A	15 A	15 A	15 A	15 A
Taille exigée du câble <sup>1</sup>	14 AWG	14 AWG	14 AWG	14 AWG	14 AWG	14 AWG	14 AWG	14 AWG
Configuration électrique	Boîte de dérivation, arrière		Boîte de dérivation, arrière		Boîte de dérivation, arrière		Boîte de dérivation, arrière	
Dimensions								
Hauteur	450 mm (17 <sup>3</sup> / <sub>4</sub> po)							
Largeur	426 mm (16 <sup>3</sup> / <sub>4</sub> po)		582 mm (22 <sup>15</sup> / <sub>16</sub> po)		738 mm (29 <sup>1</sup> / <sub>16</sub> po)		1050 mm (41 <sup>5</sup> / <sub>16</sub> po)	
Profondeur	100 mm (3 <sup>15</sup> / <sub>16</sub> po)							
Poids								
Poids	4,6 kg (10,1 lb)		6,0 kg (13,2 lb)		7,7 kg (17,0 lb)		10,9 kg (24,0 lb)	
Autres données								
Type	Chauffage à convection mural							
Couleur	Blanc alpin							
Paramètres								
Plage de température	5-30 °C (41-86 °F)							
Réglage pour la protection contre le gel	7 °C (45 °F)							

<sup>1</sup> C'est ce que nous recommandons en tant que fabricant. Vérifiez la conformité aux codes locaux si nécessaire.

## 17. Garantie

### GARANTIE LIMITÉE

Sous réserve des conditions incluses dans cette garantie limitée, Stiebel Eltron Inc. (le « Fabricant ») garantit par la présente le convecteur électrique (le « Convecteur ») au premier propriétaire (le « Propriétaire ») contre tout défaut de matériaux et de fabrication pour une période de trois (3) ans à partir de la date d'achat. Comme seule et unique compensation pour violation de la garantie susmentionnée, le Fabricant doit, à sa discrétion, envoyer des pièces de remplacement pour une réparation sur place, récupérer l'appareil pour une réparation en usine ou remplacer le Convecteur défectueux par un autre appareil aux caractéristiques comparables. En toutes circonstances, la responsabilité maximale du Fabricant est limitée au prix d'achat du Convecteur par le Propriétaire.

Cette garantie limitée est la seule garantie offerte par le Fabricant et remplace toutes les autres garanties, expresse ou implicite, écrites ou orales, y compris, sans s'y limiter, les garanties de qualité marchande et de bon fonctionnement pour un usage particulier. Le Fabricant ne sera pas tenu responsable des dommages accessoires, indirects ou éventuels ni des frais occasionnés directement ou indirectement par un défaut du Convecteur ou son utilisation. Le Fabricant ne sera pas tenu responsable des dommages causés aux biens du Propriétaire occasionnés, directement ou indirectement, par un défaut du Convecteur ou son utilisation. Seul le Fabricant est autorisé à fournir toute garantie en son nom et aucune déclaration ou garantie faite par une tierce partie n'engage le Fabricant.

Le Fabricant ne sera pas tenu responsable des dommages, quels qu'ils soient, liés aux événements suivants ou causés par eux :

1. toute utilisation mauvaise ou négligente du Convecteur, tout accident survenant à l'appareil, toute modification y étant apportée ou tout autre usage impropre de celui-ci;
2. tout cas de force majeure et toutes circonstances sur lesquelles le Fabricant n'a aucun pouvoir;
3. toute installation du Convecteur faite de manière autre que celle recommandée par le Fabricant et non conforme aux codes du bâtiment en vigueur;

4. toute absence d'entretien du Convecteur ou négligence d'utiliser celui-ci selon les instructions du Fabricant;
5. toute installation inappropriée ou tous matériaux inappropriés utilisés par un installateur qui ne sont pas liés à un défaut de matériaux ou de fabrication du Fabricant;
6. tout déplacement du Convecteur de son emplacement d'origine;
7. toute utilisation avec une tension ou un courant inapproprié;
8. tout démontage, toute réparation ou toute modification faits par une personne autre que le fabricant.

Si le propriétaire souhaite renvoyer le Convecteur au fabricant pour réparation ou remplacement en vertu de la présente garantie, le Propriétaire doit d'abord obtenir l'autorisation écrite du Fabricant. Le propriétaire sera tenu de présenter une preuve d'achat indiquant la date de l'achat et d'acquitter tous les frais de désinstallation et de transport. Si le Propriétaire ne peut présenter une preuve de la date d'achat, la garantie sera limitée à la période commençant à la date de fabrication indiquée sur le Convecteur. Le Fabricant se réserve le droit de refuser toute couverture de la garantie après inspection du Convecteur. La présente garantie ne s'applique qu'au Propriétaire et n'est pas transférable.

Les exclusions ou les restrictions de certaines garanties sont interdites dans quelques états et provinces. Dans de tels cas, les restrictions décrites dans la présente peuvent ne pas s'appliquer au Propriétaire. Le cas échéant, cette garantie sera limitée à la période la plus courte et au montant de compensation le plus bas permis par la loi. La présente garantie assure des droits particuliers au Propriétaire; d'autres droits peuvent être prévus et varient d'un état ou d'une province à l'autre.

Le Propriétaire est responsable de tous frais, y compris ceux de main-d'œuvre, entraînés par le retrait du Convecteur ou sa réparation sur place.

### Environnement et recyclage

Veuillez nous aider à protéger l'environnement en mettant les matériaux d'emballage au rebut conformément aux règlements nationaux relatifs au traitement des déchets.



**L'installation, le branchement électrique et la première mise en route de cet appareil doivent être exécutés par un prestataire qualifié.**



**La société rejette toute responsabilité pour toute défaillance du produit livré qui n'aurait pas été installé et mis en route conformément aux directives du fabricant.**









**North, Central and South America  
United States of America**

STIEBEL ELTRON, Inc.  
17 West Street | West Hatfield MA 01088  
Tel. 413-247-3380 | Fax 413-247-3369  
info@stiebel-eltron-usa.com  
www.stiebel-eltron-usa.com

**STIEBEL ELTRON**