

SEACHROME

SEACHROME CORPORATION

Phone: (800) 955-2476

Fax: (800) 444-3380

www.seachrome.com

Description:

SCAL-188R

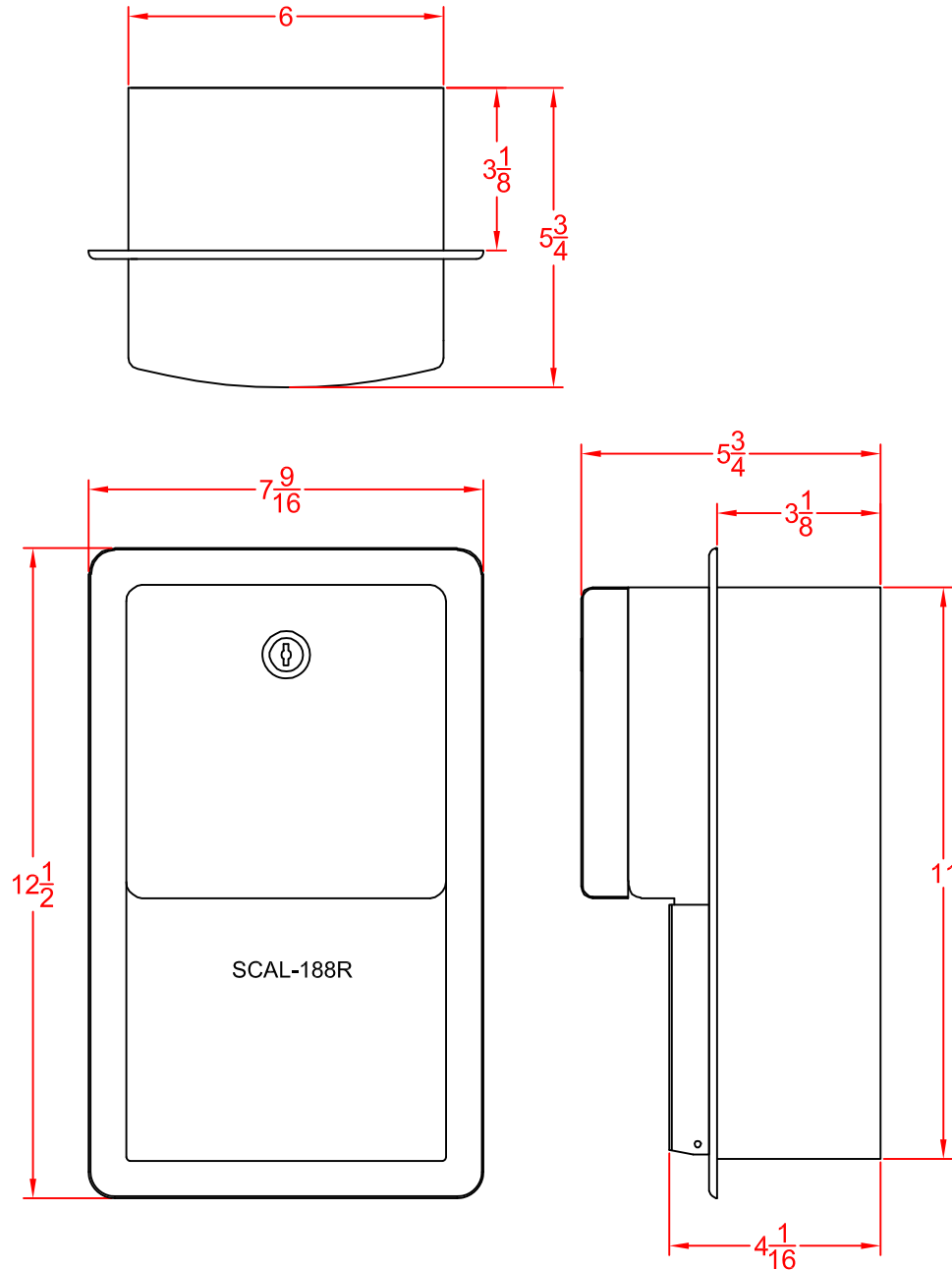
Locking Recessed Dual Roll
Toilet Tissue Dispenser

Customer:

Customer Part #

05-29-2012

This drawing and the information contained herein is proprietary to Seachrome Corp. and shall not be reproduced, copied or disclosed in whole, or part, or used for manufacturing or for any other purpose without the written permission of Seachrome Corporation.



#304 Satin Stainless Steel / 2 Plastic Rollers

Auto Drop Down

Overall: 7-9/16" Wide x 12-1/2" High x 5-3/4" Deep.

Wall Opening: 6-1/4" Wide x 11-1/4" High x 3-1/4" Deep

Capacity: 2 Standard Toilet Tissue Rolls

SEACHROME

SEACHROME CORPORATION

Phone: (800) 955-2476

Fax: (800) 444-3380

www.seachrome.com

Description:

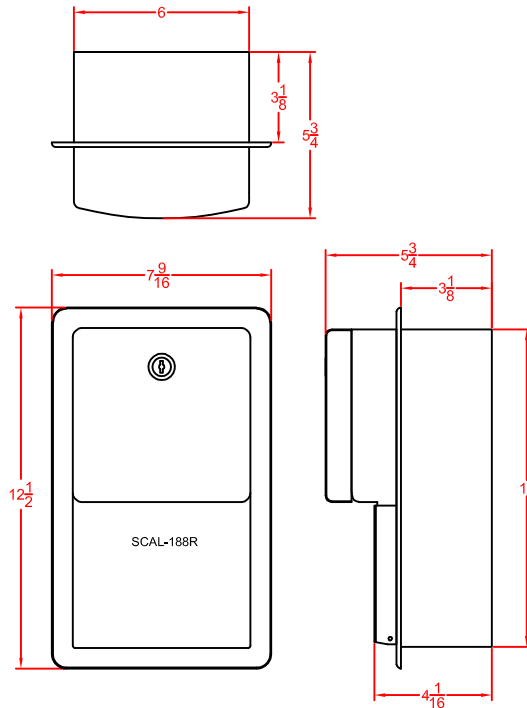
SCAL-188R

Locking Recessed Dual Roll
Toilet Tissue Dispenser

Customer:

Customer Part #

05-29-2012



Specifications:

DETAILS:

Locking Recessed Dual Roll Tissue Dispenser is fabricated of 22-gauge stainless steel with exposed surfaces in satin finish with welded construction.

SPINDLES: Molded Polyethylene

OPERATION: Cabinet holds 2 rolls of 4-1/2" x 5" standard core tissue, one above the other, auto drop down.

OVERALL SIZE: 7-9/16" Wide x 12-1/2" High x 5-3/4" Deep

CAPACITY: Holds (2) Standard core toilet tissue rolls 5" diameter.

ADA COMPLIANT: Consult local and national codes for proper installation guidelines.

This drawing and the information contained herein is proprietary to Seachrome Corp. and shall not be reproduced, copied or disclosed in whole, or part, or used for manufacturing or for any other purpose without the written permission of Seachrome Corporation.

Installation:

Provide an area on mounting surface at desired or specified location. Requires rough wall opening 6-1/4"W x 11-1/4"H x 3-1/4" D. Secure to framing at holes provided with mounting screws (not included).

