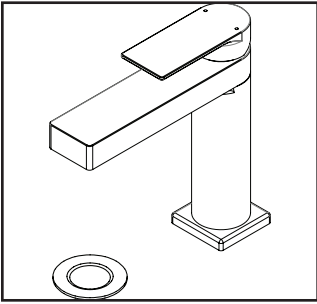




Olympia Faucets
VALUE FOR BUILDERS

L-6003
i4 Series



Single Handle Lavatory Faucet

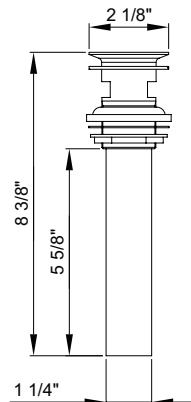
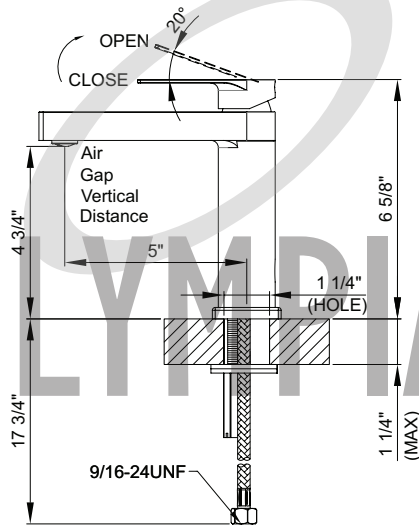
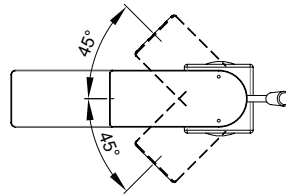
- Lever Handle
- 5" Reach, 4-3/4" From Deck to Aerator
- Ceramic Disc Cartridge
- 1-Hole Installation
- Push-Down Drain With Overflow
- Easy-Install 18" Flex Supply Lines With 3/8" Connections
- With 1.2 GPM Flow Rate

Code and Standards

ADA: Compliance to ICC/ANSI A117.1
(Lever Handle Only)



*For other finishes and flow rates offered, please visit our website, email an inquiry to sales@pioneerind.com or contact our sales at 800-338-9468



Touch Down Drain