

SUBMITTAL SHEET

JOB NAME	ITEM TAG
JOB LOCATION	PART NUMBER
CONTRACTOR	DATE
ENGINEER APPROVAL	DATE

CHROME PLATED ECONOMY SERIES STEAM AIR VENTS

T-90, T-90A, T-91, T-93 and T-95

The reliable float-and-stem design make them ideal for all low-pressure, non-vacuum residential and commercial steam heating systems.

Angle configurations are typically installed at the top of a steam radiator, for the purpose of venting trapped air by means of steam displacement.

Straight configurations can be installed onto radiators or within the system, for branch or main* venting functions (*multiple vents may be required for this type of installation).

Durable chrome-plated finish is both decorative and functional; all configurations are plated and are more resistant to moisture staining than unplated vents.

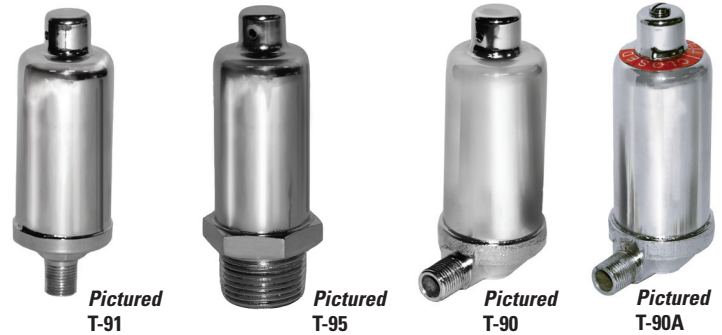
The adjustable T-90A is capable of slow, medium or fast venting, to accommodate extreme variations in room temperatures, such as colder rooms with radiators located farthest from the boiler, to hotter rooms with radiators located closest to the boiler.

Working Pressure, Non Shock (PSI)

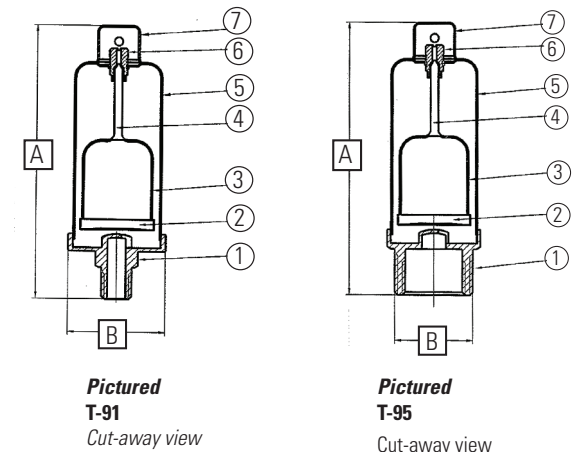
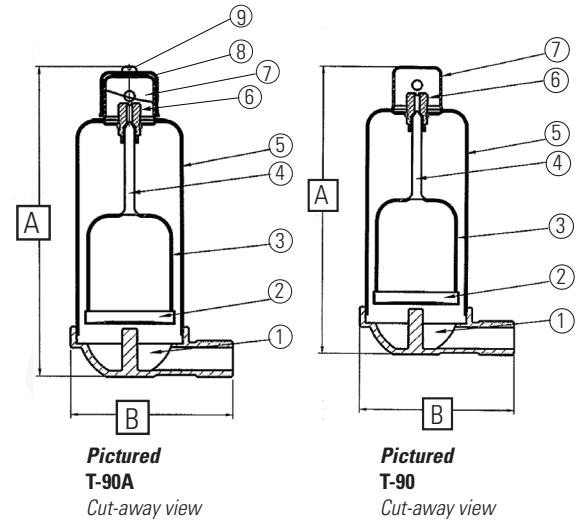
Cold working pressure (CWP): Not suitable for hot water heating system's air removal

Saturated steam (WSP):

Maximum, all models:	10 psi
Maximum operating, Model T-90A:	1.5 psi
Drop-away pressure, all models:	6 psi



- End connections conform to ANSI / ASME B1.20.1
- Manufactured in an ISO accredited facility.



MATERIAL SPECIFICATION		
PART	MATERIAL	SPECIFICATION
1 Base	Cast brass	ASTM B176 UNS C85800
2 Float actuator base	Phosphor bronze	ASTM B 103 UNS C51180
3 Float	Brass	ASTM B36 UNS C26800
4 Stem	Free-cutting brass	ASTM B16 UNS C36000
5 Body	Brass, chrome plated	ASTM B36 UNS C26800
6 Stem seat	Free-cutting brass	ASTM B16 UNS C36000
7 Vent orifice	Brass, chrome plated	ASTM B36 UNS C26800
8 Orifice hood (Model T-90A only)	Brass, chrome plated	ASTM B36 UNS C26800
9 Hood lock screw (Model T-90A only)	Free-cutting brass	ASTM B16 UNS C36000

DIMENSIONS		
Nominal Size, NPT	A	B
1/8" MNPT T-90 angle	3.15	1.69
1/8" MNPT T-90A angle, adjustable	3.27	1.69
1/8" MNPT T-91 straight	3.47	1.28
1/4" MNPT T-93 straight	3.54	1.28
3/4" MNPT x 1/2" FNPT T-95 straight	3.51	1.32