

SUBMITTAL SHEET

JOB NAME	ITEM TAG
JOB LOCATION	PART NUMBER
CONTRACTOR	DATE
ENGINEER APPROVAL	DATE

OS & Y FLANGED CAST IRON GATE VALVE

T-303

Outside-screw-and-yoke stem design gives visual reference to disc-wedge position and is more durable than non-rising stem designs, as the stem threads are external and aren't exposed to the media flow.

Class 125/150 flange-type end connections.

IBBM design: Iron-body-bronze-mount, with bronze seat and wedge sealing rings.

Solid wedge assures a positive drip-tight closure.

Durable cast iron construction resists pipeline stresses and distortion.

All external surfaces are primed and dual-coat painted for corrosion resistance.

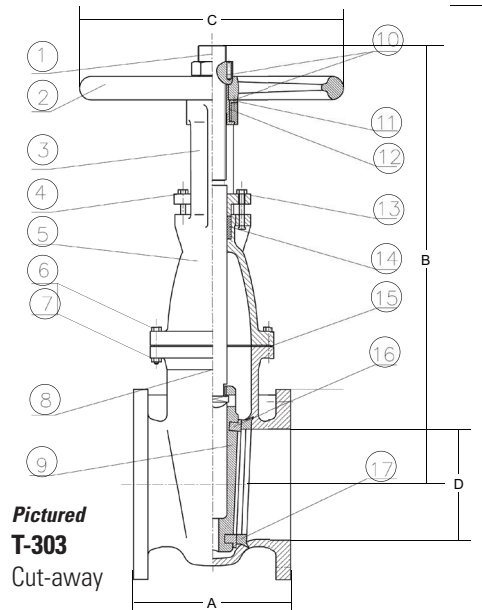
Full-flow waterways minimize pressure drop.

Available in nominal pipe sizes 2" to 12".

Working Pressure, Non Shock (PSI)

Cold working pressure (CWP): 200 psi
 Saturated steam (WSP): 125 psi to 450° F

- In accordance with interchangeability requirements, face-to-face dimensions conform to ANSI / ASME B16.10
- Flanged end connections conform to ANSI / ASME B16.1 Class 125 / 150
- Conforms to MSS SP-70
- Manufactured in an ISO accredited facility



DIMENSIONS				
Size	A (ANSI / ASME B16.10)	B (Closed)	C	D (NPS)
2"	7.01	12.95	7.87	1.97
2-1/2"	7.48	14.65	7.87	2.56
3"	7.99	16.77	9.84	3.15
4"	9.02	19.53	11.02	3.94
5"	10.00	22.68	12.60	4.92
6"	10.51	24.80	12.60	5.91
8"	11.50	29.09	13.78	7.87
10"	12.99	34.53	15.75	9.84
12"	14.02	39.80	17.72	11.81

CLASS 125 / 150 FLANGE DATA				
Nominal size	Bolt circle diameter	Bolt size	Number of bolt holes	Flange diameter
2"	4.75	5/8" - 11	4	6"
2-1/2"	5.5	5/8" - 11	4	7"
3"	6	5/8" - 11	4	7.50"
4"	7.5	5/8" - 11	8	9"
5"	8.5	3/4" - 10	8	10"
6"	9.5	3/4" - 10	8	11"
8"	11.75	3/4" - 10	8	13.50"
10"	14.25	7/8" - 9	12	16"
12"	17	7/8" - 9	12	19"

MATERIAL SPECIFICATION		
PART	MATERIAL	SPECIFICATION
1 Stem	Forged, free-cutting brass	ASTM B16 UNS C36000
2 Handwheel	Ductile iron	ASTM A536
3 Bolted yoke (sizes 8" to 12")	Cast iron	ASTM A126 Class B
4 Gland follower "T" bolt	Carbon steel	ASTM A307 Grade B
5 Bonnet / yoke (sizes 2" to 6")	Cast iron	ASTM A126 Class B
6 Bonnet bolt	Carbon steel	ASTM A307 Grade B
7 Nut	Carbon steel	ASTM A307 Grade B
8 Body	Cast iron	ASTM A126 Class B
9 Disc-wedge	Ductile iron	ASTM A536
10 Locknuts (2)	Carbon steel	ASTM A307 Grade B
11 Torque bushing locknut	Forged, free-cutting brass	ASTM B16 UNS C36000
12 Torque bushing	Forged, free-cutting brass	ASTM B16 UNS C36000
13 Gland Follower	Ductile iron	ASTM A536
14 Stem packing	Flexible graphite	Commercial grade
15 Gasket	NBR (Buna-N) rubber	ASTM D2000
16 Wedge face ring	Aluminum bronze	ASTM B148
17 Seat ring	Aluminum bronze	ASTM B148