

SUBMITTAL SHEET

JOB NAME	ITEM TAG
JOB LOCATION	PART NUMBER
CONTRACTOR	DATE
ENGINEER APPROVAL	DATE

FULL PORT ROTATING FLANGE ISOLATION BALL VALVE

T/S 2011RFLG

Ideal for circulator pump isolation, permitting pump removal without complete system drain-down.

Standard diamond-shaped pump flange connection rotates, to allow infinite valve positioning

Positive-seal, blowout-proof stem features dual Teflon* packing and EPDM rubber O-ring seals

Full-port design does not affect pump flow volumes

Durable forged brass construction

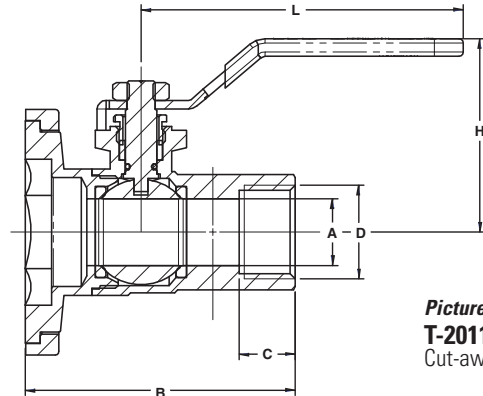
Flange mounting hardware included

Working Pressure, Non-Shock (PSI)

Cold Water, Oil, Gas: 600 CWVP

Saturated Steam: Not recommended for steam service

- Threaded end connections comply with ANSI / ASME B1.20.1
- Sweat end connections comply with ANSI / ASME B16.18
- Manufactured in an ISO accredited facility

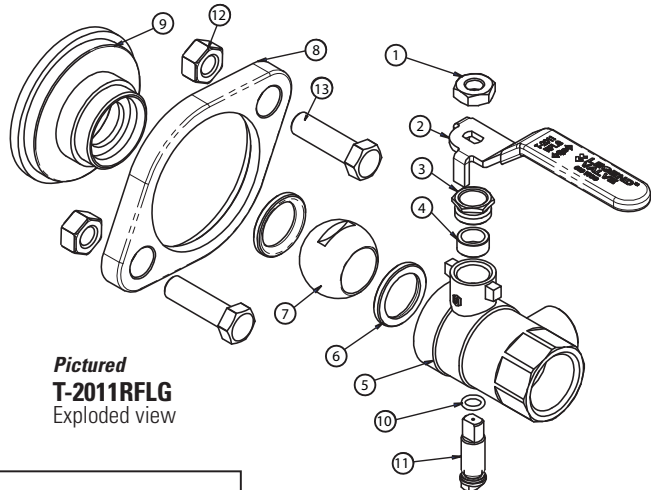


Pictured T-2011RFLG
Cut-away view

MATERIAL SPECIFICATION

PART	MATERIAL	SPECIFICATION
1 Handle nut	Zinc plated steel	ASTM A283 Grade C
2 Lever handle	Zinc plated steel	ASTM A283 Grade C
3 Packing nut	Forged brass	ASTM B455 UNS C38500
4 Stem packing	PTFE	Commercial grade Teflon*
5 Body	Forged brass	ASTM B455 UNS C38500
6 Seats (2)	PTFE	Commercial grade Teflon*
7 Ball	Chrome plated forged brass	ASTM B455 UNS C38500
8 Flange	Forged brass	ASTM B455 UNS C38500
9 End adapter	Forged brass	ASTM B455 UNS C38500
10 Stem O-ring	EPDM	Commercial grade
11 Stem	Forged brass	ASTM B455 UNS C38500
12 Flange nuts (2)	Zinc plated steel	ASTM A307 Grade C
13 Flange bolts (2)	Zinc plated steel	ASTM A307 Grade C

*Teflon is a registered trademark of the DuPont Company



Pictured T-2011RFLG
Exploded view

DIMENSIONS

Size	A	B (IPS)	B (Sw)	C (IPS)	C (Sw)	D (IPS)	D (Sw)	L	H
3/4"	0.75	3.03	3.13	0.63	0.75	3/4" NPT	0.88	3.62	2.11
1"	0.97	3.39	3.50	0.79	0.91	1" NPT	1.13	4.33	2.46
1-1/4"	1.18	3.66	3.86	0.79	0.98	1-1/4" NPT	1.38	5.12	3.05