

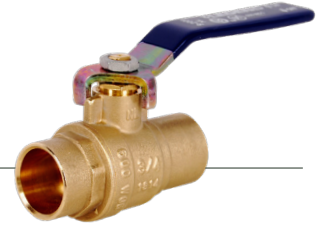
SUBMITTAL SHEET

JOB NAME	ITEM TAG
JOB LOCATION	PART NUMBER
CONTRACTOR	DATE
ENGINEER APPROVAL	DATE



NO LEAD FORGED BRASS FULL PORT BALL VALVE

T/S-2001NL



**Pictured:
S-2001NL**

Lead-free design is suitable for all no-lead potable water installations, in full compliance of the National lead-free plumbing law.

Dezincification-resistant (DZR) forged brass resists corrosion from exposure to a wide variety of water conditions.

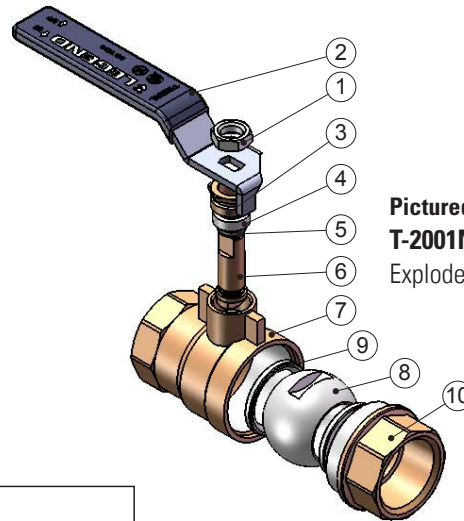
Bottom-loaded, blowout-proof stem features a dual-seal PTFE packing and EPDM rubber O-ring design, assuring positive sealing under temperature and pressure extremes.

304 stainless steel T-handles available (for sizes 1/2"-1" sold separately).

Available in nominal sizes 1/2" to 2" in FNPT and sweat connections.

Working Pressure, Non-Shock (PSI)

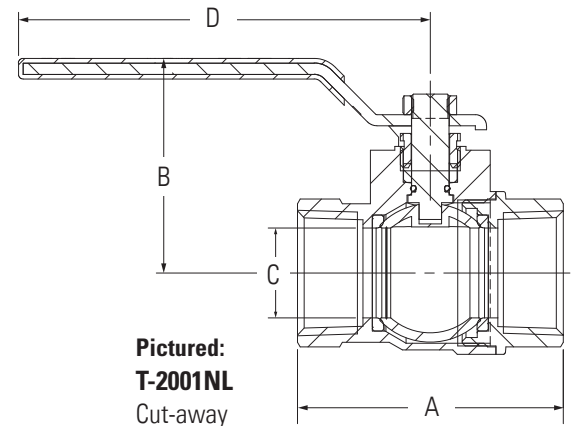
Cold working pressure (CWP): 600 psi
 Saturated Steam: Not suitable for steam service



**Pictured:
T-2001NL
Exploded View**

MATERIAL SPECIFICATION		
PART	MATERIAL	SPECIFICATION
1	Handle nut	Zinc plated steel ASME SA6, SA283 Grade C
2	Lever handle	Zinc plated steel ASME SA6, SA283 Grade C
3	Packing nut	Forged brass UNS Alloy C38500
4	Stem packing	PTFE Teflon*
5	Stem O-ring	EPDM rubber Commercial grade
6	Stem	Lead-free forged brass: 1/2" - 1" Forged brass: 1-1/4" - 2" UNS Alloy C46500 UNS Alloy C36000
7	Body	Lead-free forged brass UNS Alloy C46500
8	Ball	Lead-free chrome plated forged brass: 1/2" - 1" Stainless steel: 1-1/4" - 2" UNS Alloy C46500 AISI Grade 304
9	Seats	PTFE Teflon*
10	End adapter	Lead-free forged brass UNS Alloy C46500

*Teflon is a registered trademark of the DuPont Company



**Pictured:
T-2001NL
Cut-away**

Certifications/Listings:

Third-party certified.
 ANSI/NSF 61: Drinking water system components health effects.
 ANSI/NSF 372: Drinking water system components lead content.
 ANSI Z21.15: Gas appliance connector valve for 1/2 lb. systems.
 ASME B16.44: For use in above ground gas piping systems up to 5 psi.
 ANSI/ASME B16.33: For use in gas piping systems up to 175 psig.

Standards:

ANSI/ASME B1.20.1: Pipe threads, general purpose, Inch.
 ANSI/ASME B16.18: Cast pressure alloy solder-joint pressure fitting.

DIMENSIONS					
Size	A (FNPT)	A (Swt)	B	C	D
1/2"	2.09	1.97	1.64	0.51	3.74
3/4"	2.28	2.68	1.84	0.71	3.74
1"	2.80	3.23	2.26	0.95	4.33
1-1/4"	3.17	3.66	2.64	1.20	5.12
1-1/2"	3.39	4.17	2.74	1.34*	5.12
2"	3.98	5.20	3.37	1.77*	6.34

*Large-port