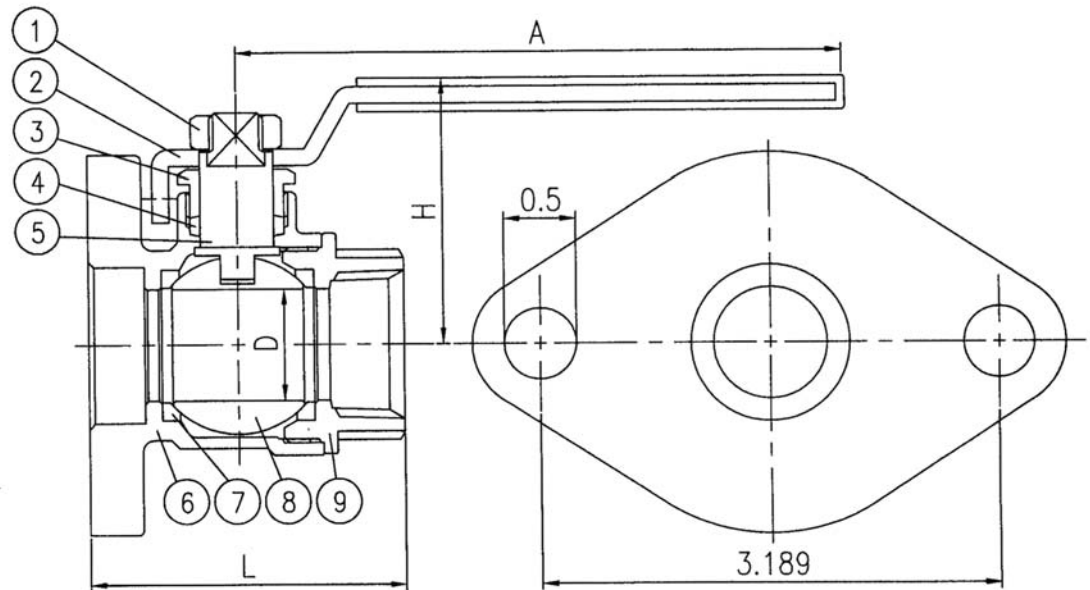
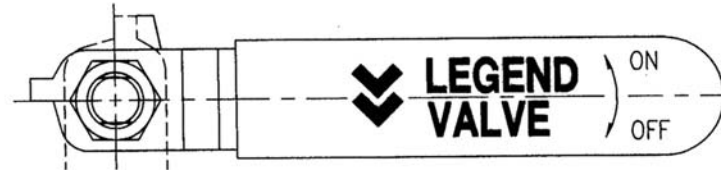


Model T-1002FLG/S-1002FLG

Specialty Ball Valves



NO.	FEATURES	
1	NUT	STEEL AISI-1010
2	HANDLE	STEEL A283-D
3	STEM GLAND SCREW	FORGED BRASS B16-C36000
4	STEM PACKING	PTFE (TEFLON*)
5	STEM	FORGED BRASS B16-C36000
6	BODY	CAST BRONZE B584-C85700
7	SEATS	PTFE (TEFLON*)
8	BALL DISC	CHROME PLATED FORGED BRASS 3/4" B16-C36000, 1" & 1-1/4" B124-C37700
9	END ADAPTER	FORGED BRASS B124-C37700
*TEFLON IS A REGISTERED TRADEMARK OF DUPONT		

SIZE	3/4"	1"	1 1/4"											
L (swt)	2.421	2.697	3.051											
H	1.850	2.008	2.401											
D	.787	.984	1.260											
A	4.252	4.252	4.882											

NOTES:

- Manufactured in an ISO certified Facility
- 600 WOG, 150 WSP

The information contained herein is believed to be reliable, but no representations, guarantees, or warranties of any kind are made as to its accuracy, suitability for particular applications of the results to be attained therefrom. Before using, the user shall determine suitability of the information for user's intended use and shall assume all risk and liability in connection therewith. Installation shall comply with local codes where applicable. To the extent permitted by law, LEGEND VALVE AND FITTING, INC. DISCLAIMS ALL WARRANTIES, EXPRESS OR IMPLIED, INCLUDING BUT NOT LIMITED TO ANY IMPLIED WARRANTIES OF MERCHANTABILITY OR OF FITNESS FOR A PARTICULAR PURPOSE.