

SUBMITTAL SHEET

| | |
|-------------------|-------------|
| JOB NAME | ITEM TAG |
| JOB LOCATION | PART NUMBER |
| CONTRACTOR | DATE |
| ENGINEER APPROVAL | DATE |

LEAD-FREE FULL PORT PRESS BALL VALVE

P-200NL Large Diameter LegendPress™

Lead-free design is suitable for all no-lead potable water installations in full compliance of all lead-free plumbing laws.

Press-to-connect end connections are designed for installation onto ASTM B88 types K, L and M hard-drawn copper tubing. See insertion depth chart below.

Deeper tubing sockets at each connection provide extra stability during the pressing process.

Press-type end connections eliminate the need for soldering and brazing, reducing labor and material costs and eliminating the fire hazard associated with the process.

Compatible with commercially-available XL-C ***profile rings.

Oversized lever handle is ideal for commercial applications.

Strip gauge included, to verify a complete press.

Available in nominal sizes 2-1/2" to 4" in the Press x Press configuration.

Working Pressure, Non-Shock (PSI)

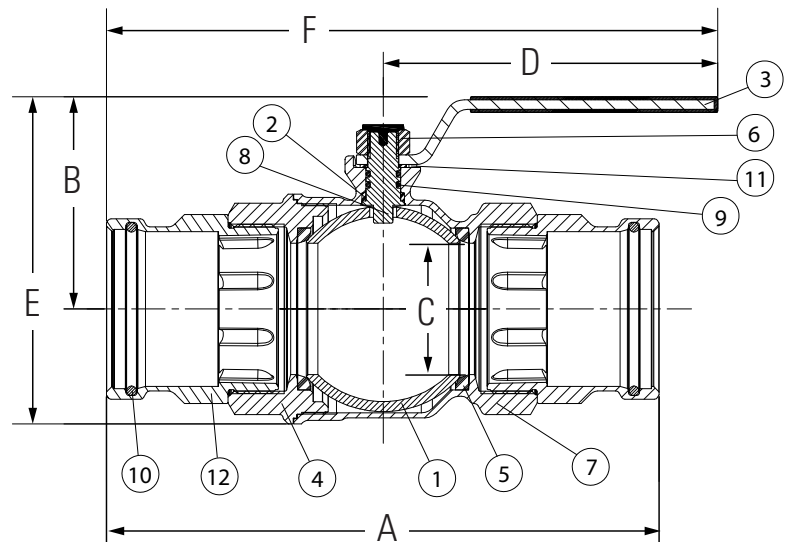
Cold Working Pressure (CWP): 2-1/2" to 3": 400 p.s.i.

Saturated Steam (WSP): Not suitable for steam service
Maximum service temp: 230° F

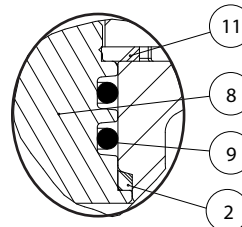


Pictured:
P-200NL LegendPress™
Large Diameter

- Third-party tested and certified in compliance with U.S. Federal Public Law 111-380 (National lead-free plumbing law).
- NSF certified to NSF 61-G.
- Valve construction conforms to MSS SP-110; press-type end connections are currently excluded from this Standard.
- Manufactured in an ISO accredited facility.



Pictured: P-200NL LegendPress™ (2-1/2" to 4")
Cut-away view



Pictured:
P-200NL LegendPress™
Stem area detail

| MATERIAL SPECIFICATION | | |
|------------------------|-----------------------------------|--|
| PART | MATERIAL | SPECIFICATION |
| 1 | Ball | Chrome plated lead-free forged brass CW510L UNS C28500 |
| 2 | Thrust washer | TFM PTFE Dyneon* |
| 3 | Handle | Dacromet coated steel ASTM A510 UNS G10060 |
| 4 | End adapter | Lead-free forged brass CW510L UNS C28500 |
| 5 | Seats (2) | TFM PTFE Dyneon* |
| 6 | Handle nut | Dacromet coated steel with resin lock ASTM A510 UNS G10060 |
| 7 | Body | Lead-free forged brass CW510L UNS C28500 |
| 8 | Stem | Chrome plated lead-free forged brass CW510L UNS C28500 |
| 9 | Stem O-rings (2) | Fluoroelastomer Viton** |
| 10 | Socket O-rings (2) [1 per socket] | EPDM Commercial grade |
| 11 | Anti-friction washer | TFM PTFE Dyneon* |
| 12 | Press socket (2) | Lead-free forged brass CW510L UNS C28500 |

*Dyneon TFM is a registered trademark of the 3M Company.

**Viton is a registered trademark of DuPont

***XL-C is a registered trademark of Viega.

| DIMENSIONS | | | | | | |
|------------|-------|------|------|------|------|-------|
| Size | A | B | C | D | E | F |
| 2-1/2" | 10.50 | 4.07 | 2.56 | 6.81 | 5.94 | 12.06 |
| 3" | 11.31 | 4.28 | 3.15 | 6.81 | 6.63 | 12.56 |
| 4" | 13.50 | 4.82 | 3.94 | 7.38 | 8.13 | 14.13 |

See the P-200NL LegendPress™ submittal sheet for 1/2" to 2" sizes.

LegendPress™ Tubing Insertion Depth

| Nominal Tubing Size: | 2-1/2" | 3" | 4" |
|----------------------|---------|--------|--------|
| Insertion Depth: In. | 2-3/16" | 2-1/4" | 2-3/8" |
| MM | 55 | 58 | 60 |