

SUBMITTAL SHEET

JOB NAME	ITEM TAG
JOB LOCATION	PART NUMBER
CONTRACTOR	DATE
ENGINEER APPROVAL	DATE

CHROME-PLATED MINI BALL VALVE

Mini Ball Valve

One-piece barstock-type body eliminates seam leaks that are possible with two-piece body designs.

Ideal for gaugecock applications, where the lever handle does not interfere with the gauge face.

A low-cost, full-port ball valve replacement to other valve types; Can be installed instead of, and perform better than, gate or stop valve designs.

The short-pattern body types can be installed in confined piping installations, where full-pattern ball valves won't fit.

Available in nominal pipe thread sizes 1/8", 1/4", 3/8" and 1/2", FNPT x FNPT and MNPT x FNPT.

Working Pressure, Non-Shock (PSI)

Cold working pressure (CWP): 400 CWP
Working Steam Pressure (WSP): Not suitable for steam service.

- Threaded end connections conform to ANSI / ASME B1.20.1
- Manufactured in an ISO 9002 accredited facility.



Pictured Mini Ball Valve
FNPT x FNPT

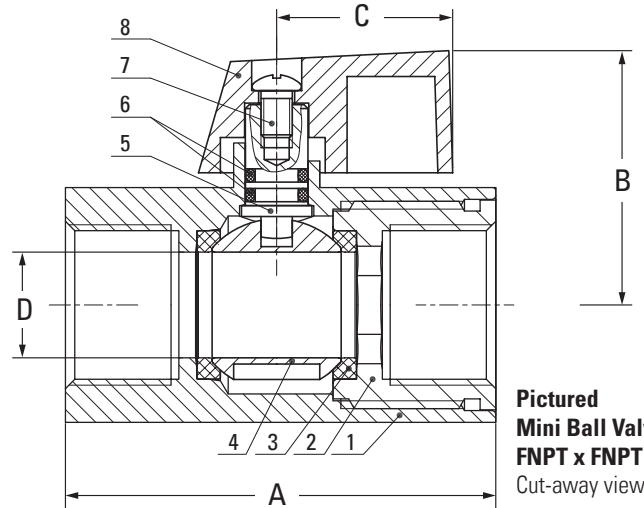


Pictured Mini Ball Valve
FNPT x MNPT

MATERIAL SPECIFICATION

PART	MATERIAL	SPECIFICATION
1 Body	Chrome Plated Forged Brass	ASTM B124 UNS C37700
2 Seat retainer	Chrome Plated Forged Brass	ASTM B124 UNS C37700
3 Seats (2)	PTFE	Commercial grade Teflon™
4 Ball	Chrome Plated Forged Brass	ASTM B124 UNS C37700
5 Stem	Forged brass	UNS alloy C38000
6 O-ring (2)	EPDM Rubber	Commercial grade
7 Handle screw	Plated steel	ASTM A36
8 Handle	Coated aluminum	Commercial grade, die-cast

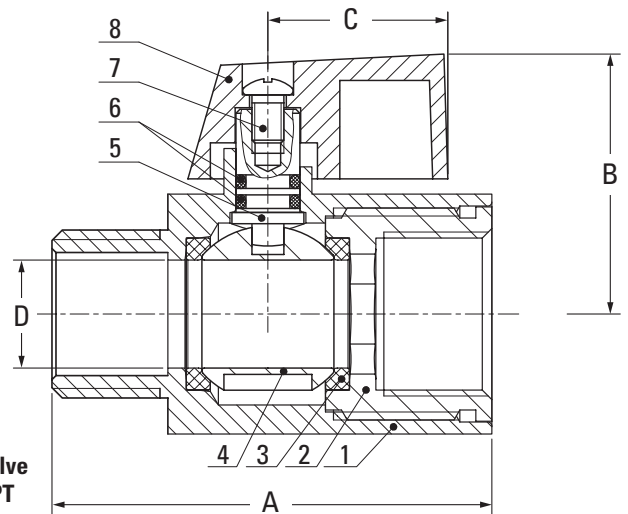
Teflon™ is a registered trademark of DuPont.



Pictured Mini Ball Valve
FNPT x FNPT
Cut-away view

DIMENSIONS

NPT Size	A	B	C	D
1/8" FNPT x FNPT	1.50	1.09	0.91	0.32
1/4" FNPT x FNPT	1.64	1.09	0.91	0.32
3/8" FNPT x FNPT	1.81	1.19	0.89	0.40
1/2" FNPT x FNPT	2.17	1.28	0.89	0.53
NPT Size	A	B	C	D
1/8" FNPT x MNPT	1.50	1.09	0.91	0.22
1/4" FNPT x MNPT	1.64	1.09	0.91	0.32
3/8" FNPT x MNPT	1.81	1.19	0.89	0.40
1/2" FNPT x MNPT	2.17	1.28	0.89	0.53



Pictured Mini Ball Valve
FNPT x MNPT
Cut-away view