

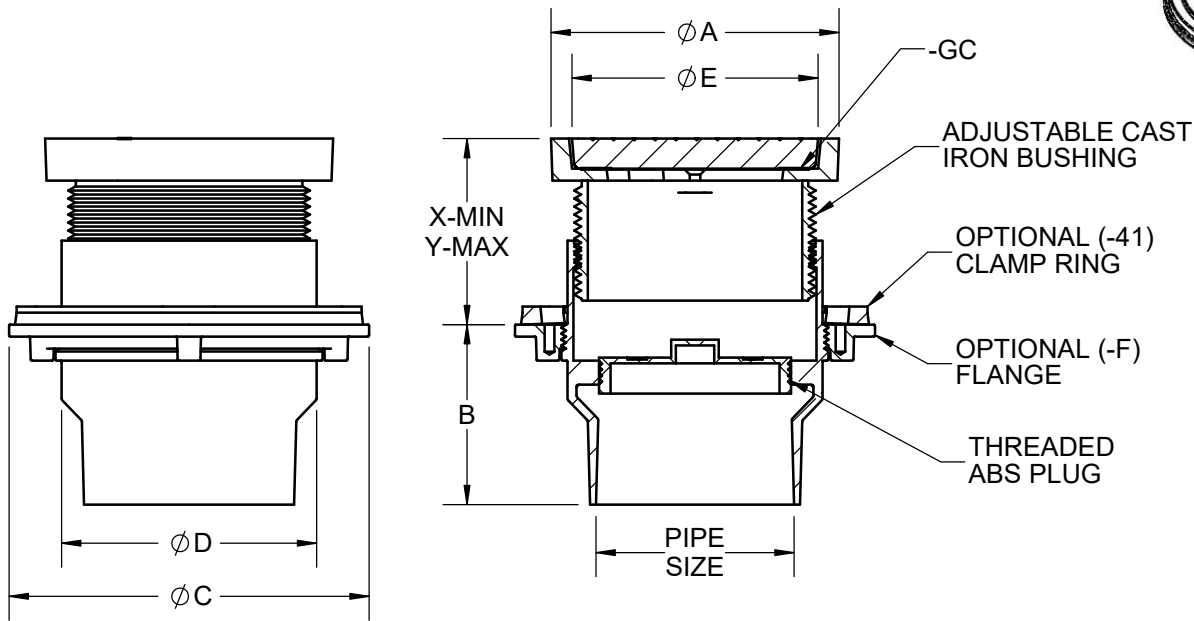
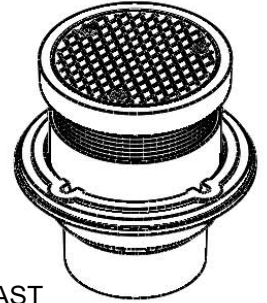
**SPECIFICATION:**

JOSAM 55000 SERIES COATED CAST IRON KLEENATRON® II LEVEZEZE® FLOOR CLEANOUT, INTERNAL ABS CLEANOUT PLUG, ADJUSTABLE CAST IRON HOUSING WITH SPECIAL-DUTY SCORiated SECURED ROUND CAST IRON COVER.

**CLEANOUT**  
ROUND CAST IRON TOP

SERIES **55000**

FLANGE STANDARD ON 4" -X AND 6" SIZES.



\* PLUG SIZE = 3-1/2" NPT  
\*\* PLUG SIZE = 5-1/2" NPT  
\*\*\* CAST IRON ONLY

	PIPE SIZE	A	B	C	D	E***	X	Y
	2" *	6	3 3/4	7 1/2	5 9/16	5 1/8	2 3/4	4 1/2
	3" *	6	3 3/4	7 1/2	5 9/16	5 1/8	2 3/4	4 1/2
	4" *	6	3 3/4	7 1/2	5 9/16	5 1/8	2 3/4	4 1/2
	4" -X **	7 1/2	4 1/4	9 3/16	7	6 3/4	2 5/8	4 9/16
	5" -Z **	6	3 3/4	7 1/2	5 9/16	5 1/8	2 3/4	4 1/2
	6" -Z**	7 1/2	4 1/4	9 3/16	7	6 3/4	2 5/8	4 9/16

△	-1	SATIN FINISH NIKALOY TOP
△	-1-12	COVER RECESSED FOR TILE, SATIN FINISH NIKALOY
△	-1-13	TERRAZO TILE COVER, SATIN FINISH NIKALOY
△	-1-SD	SPECIAL-DUTY SATIN FINISH NIKALOY TOP
△	-1-SQ	SQUARE TOP, SATIN FINISH NIKALOY
	-2	SATIN FINISH BRONZE TOP
	-2-12	COVER RECESSED FOR TILE, SATIN FINISH BRONZE
	-2-13	TERRAZO TILE COVER, SATIN FINISH BRONZE
	-2-SD	SPECIAL-DUTY SATIN FINISH BRONZE TOP
	-2-SQ	SQUARE TOP, SATIN FINISH BRONZE TOP
	-3	BUFF POLISH NIKALOY
	-4	BUFF POLISH BRASS
△	-5	DUCTILE IRON TOP
	-14	CARPET CLEANOUT MARKER

	-22	BRONZE PLUG
	-31	GALVANIZED CAST IRON PARTS
	-41	CLAMP RING AND FLANGE
	-ARE	ACID-RESISTANT EPOXY (CI PARTS)
	-CFC	CARPET CLEANOUT FLANGE COVER
	-DBC	DEBRIS COVER
	-F	FLANGE ONLY
	-SS	STAINLESS STEEL TOP
	-SS-SD	SPECIAL DUTY STAINLESS STEEL TOP (N/A 4"X AND 6"Z)
	-SS-SQ	SQUARE TOP, STAINLESS STEEL
	-VP	SECURED COVER, VANDAL-PROOF SCREWS
	-X	INSIDE CAULK OUTLET
	-Y	HUB OUTLET W/GASKET (2", 3", & 4" SIZES ONLY)
	-Z	NO-HUB OUTLET
	-GC	GASKETED COVER

△ SEPARATE SUBMITTAL FOR THIS OPTION AVAILABLE

DATE OF LAST CHANGE: 05/23/19

DIMENSIONS ARE SUBJECT TO MANUFACTURERS TOLERANCES AND CHANGE WITHOUT NOTICE. WE CAN ASSUME NO RESPONSIBILITY FOR USE OF SUPERSEDED OR VOID DATA.

**JOSAM**  
MICHIGAN CITY, INDIANA

NOTES