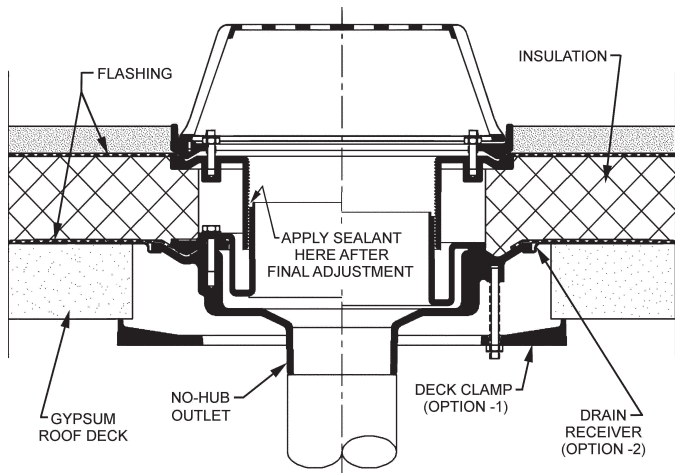
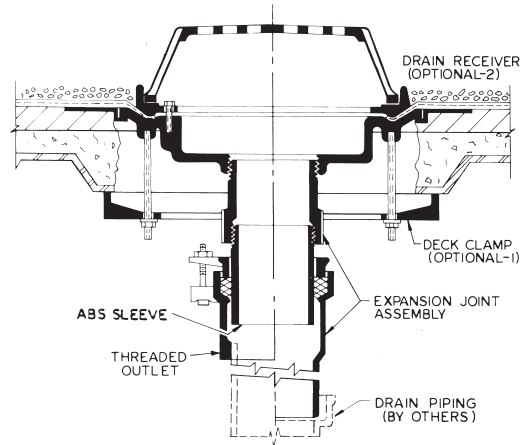


# ROOF DRAINS

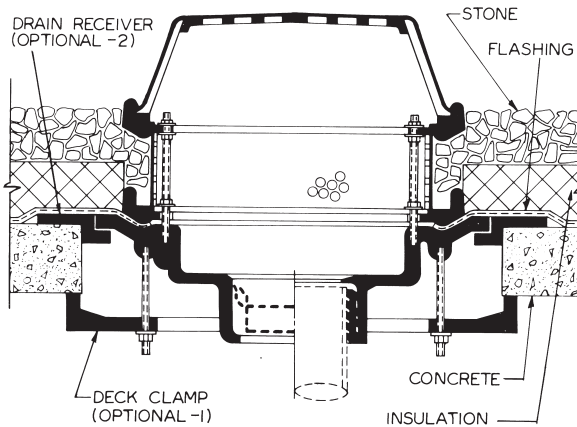
## Typical Installations



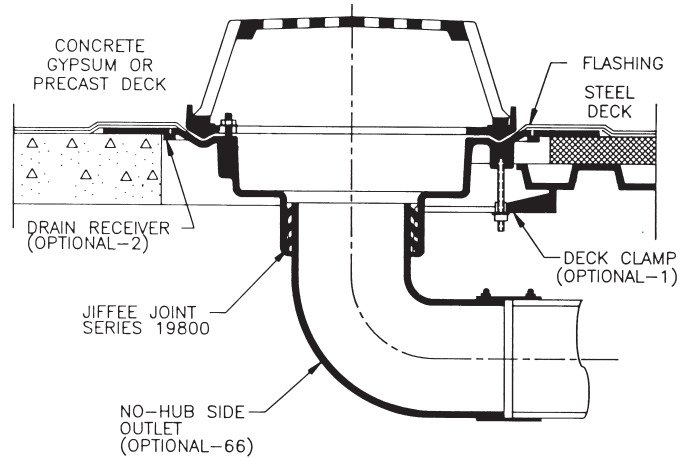
21500-AE Series large sump Roof Drain shown installed in a gypsum roof deck system.



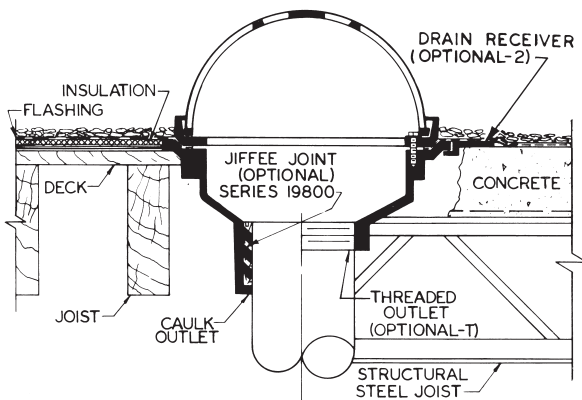
21500 Series large sump Roof Drain with 26200 Series expansion joint shown installed in typical roof construction.



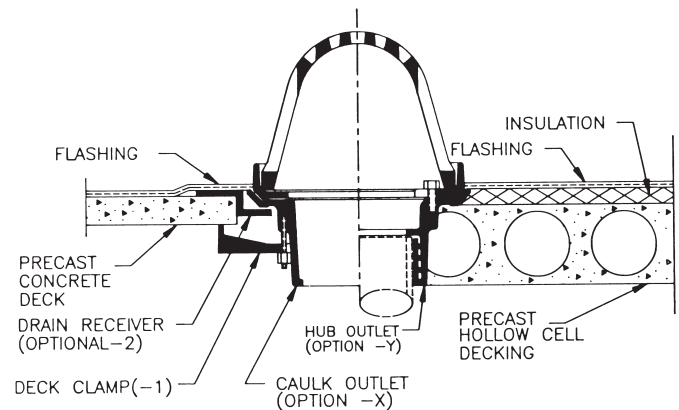
21500-IRMA Series large sump Roof Drain shown installed in a typical insulated roof membrane system.



21500-66 Series Roof Drain shown installed in a precast concrete or steel roof deck.



22010 Series medium sump Roof Drain shown installed in a structural steel joist roof system and a wood joist roof system.



22080 Series small sump Roof Drain shown installed in a precast hollow cell roof deck system and a precast solid concrete roof deck system.