

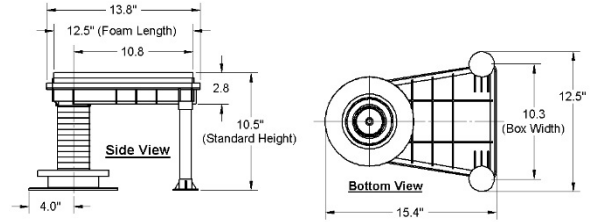


For use in

- Concrete floor assemblies with flat form decks
- Dust and fiber free environments such as hospitals, computer centers and laboratories

Product Description

- HydroFlame Tub Box Adapter offers fire and water protection for a variety of pipe sizes and types for tub drains that pass through concrete floors in multi-story buildings.
- HydroFlame Tub Box Adapter appreciably reduces job time and material expenses by not requiring additional steps, such as fire caulking and silicone caulking to make the device waterproof.



Tub Box Drain/Overflow Assembly Types

1 1/2" Diameter Sch. 40 PVC, ABS or thin wall, or brass tub drain/overflow assembly.

Drain Piping

Nominal 2" Schedule 40 (PVC), 1 1/2" Schedule 40 (PVC), ABS, Cast Iron or Copper Drain Piping. (Refer to installation instructions)

Product Feature & Benefits

- Simple and quick installation
- Snug fit holds pipe in place
- Helps prevent water, fire, smoke, moisture & mold intrusion
- Reduces time to finish building by allowing dry in of bottom floors faster
- Helps eliminate rework due to water damage

Safety & Precautions

- Keep this device out of reach of children and read the Material & Safety Data Sheet

Storage of Device

- Store in a covered or closed area protected from weather and do not stack devices on top of one another other than how they are shipped from manufacture

Technical Data for HYDROFLAME Firestop Device	
Physical Properties	
Color: Gray/Black	
Heat Expansion (Intumesce)	
Expansion begins:	410°F (210°C)
Significant expansion:	555°F (290°C)
Free expansion:	25 times (5 min @ 662°F [350°C])
Weatherability (Tested to ASTM G23 and G53)	
Test Condition	Temperature/Humidity 90°F (32°C)/90%
Time	120 Days
After Exposure	No change in expansion
Surface Burning Characteristics (ASTM E84, UL 723)	
Flame spread index: 0	
Smoke development index: 5	
Testing Data	
UL Fire Tested & Listed to UL 1479 (ASTM E814) Standards	
L Rating UL	
W Rating UL	
F Rating UL	



Installation Instructions

- Lay out the form deck for the tub box adapter base. Cut tub box base sleeve extension to the appropriate concrete thickness. Cut stabilizing legs to proper height for concrete pour. Minimum overall floor thickness must equal at least 7" from the bottom of base to the top of tub box. Use solvent cement (glue) to glue legs to the two insert holes under the tub box.
- Align the hatch marks on lower base to layout lines (by others) on form deck to center the device for the appropriate pipe connection. Nail tub box base to form deck using 6 penny nails, use solvent cement (glue) on both surfaces of the top base sleeve extension and bottom of tub box where the base sleeve extension connects for securing both parts together. Make sure the Styrofoam insert is in the top of tub box before pouring concrete and also the backer material is in place around the outside trough area of tub box before concrete pour. **Note: You can also preassemble the tub box, base and legs prior to nailing it to the form deck if desired.**
- Pour the concrete slab around the device to the appropriate slab thickness.
- Remove the protective Styrofoam insert from tub box and form floor deck after concrete has cured. Remove the pressure test cap before installing the appropriate drain piping. **Note: Knock out the pressure test cap after test is complete by using a hammer to tap the center mark on the test cap breaking it loose, use a screwdriver or grab the test cap to break it free from tub box.**
- Install the desired tub drain/overflow assembly piping (Brass, PVC or thin wall) through the Tub Box and base. Insert the bushing seal into the top of tub box when using thin wall PVC tubing or brass drain/overflow assembly. **Note: When using thin wall tub drain/overflow assembly piping you must insert the bushing seal in the top of tub box to obtain W-Rating.** When using schedule 40 PVC drain/overflow you will insert the drain/overflow pipe through the midbody seal and by doing so will obtain a W-Rating. Complete the installation by installing the appropriate branch and trap piping. You can use different drain pipe types and sizes by using the appropriate standard fittings/bushings (not supplied) to attach to the drain/overflow assembly. **Note: To ease the installation of the drain/overflow piping use a water damp rag and wipe down the drain/overflow pipe and the bushing seal that is used with the thin wall PVC or brass drain/overflow assembly or the midbody seal when using schedule 40 PVC drain/overflow assembly, then push the assembly pipe through the bushing seal or midbody seal. You may also use a compatible soap solution or other recommended compatible lubricant.**

Prior to installation, thoroughly clean the outside of the pipe to be inserted through tub box assembly, bushing seal or midbody seal. The pipe must be free of concrete, dirt, paint, rust or anything protruding from the outside of pipe including burrs of pipe material. Make sure the bushing seal membrane or midbody seal is clean of all debris, dirt, concrete or anything that might have gotten on the sealing surface during or after construction that could damage the sealing surface of the seal membrane when the pipe is inserted through the appropriate seal. Failure to perform proper cleaning could damage the seal surface membrane when the pipe is installed.

Note: HOLDRITE HYDROFLAME is not responsible for sleeve performance when installation instructions are not followed and will not be liable for damage to property or persons due to improper installation of materials or through attempts to utilize the material under conditions which exceed the designed capacities. Purchaser agrees to indemnify and hold us harmless for any and all claims, liabilities, damages, costs and expenses asserted against us or incurred by us because of injuries to persons or damages to property resulting from the improper installation or misuse of the material. For additional warranty limitations, refer to HOLDRITE's Limited Warranty dated 1/15/13.

Product Submittal			
Job Name:		Architect/Owner:	
Date:		Contractor:	
Part#:	Qty:	Notes:	

spec_HFTB_RevH

System No. F-B-2043 XHEZ.F-B-2043 Through-penetration Firestop Systems

[Page Bottom](#)

Design/System/Construction/Assembly Usage Disclaimer

- Authorities Having Jurisdiction should be consulted in all cases as to the particular requirements covering the installation and use of UL Certified products, equipment, system, devices, and materials.
- Authorities Having Jurisdiction should be consulted before construction.
- Fire resistance assemblies and products are developed by the design submitter and have been investigated by UL for compliance with applicable requirements. The published information cannot always address every construction nuance encountered in the field.
- When field issues arise, it is recommended the first contact for assistance be the technical service staff provided by the product manufacturer noted for the design. Users of fire resistance assemblies are advised to consult the general Guide Information for each product category and each group of assemblies. The Guide Information includes specifics concerning alternate materials and alternate methods of construction.
- Only products which bear UL's Mark are considered Certified.

XHEZ - Through-penetration Firestop Systems

XHEZ7 - Through-penetration Firestop Systems Certified for Canada

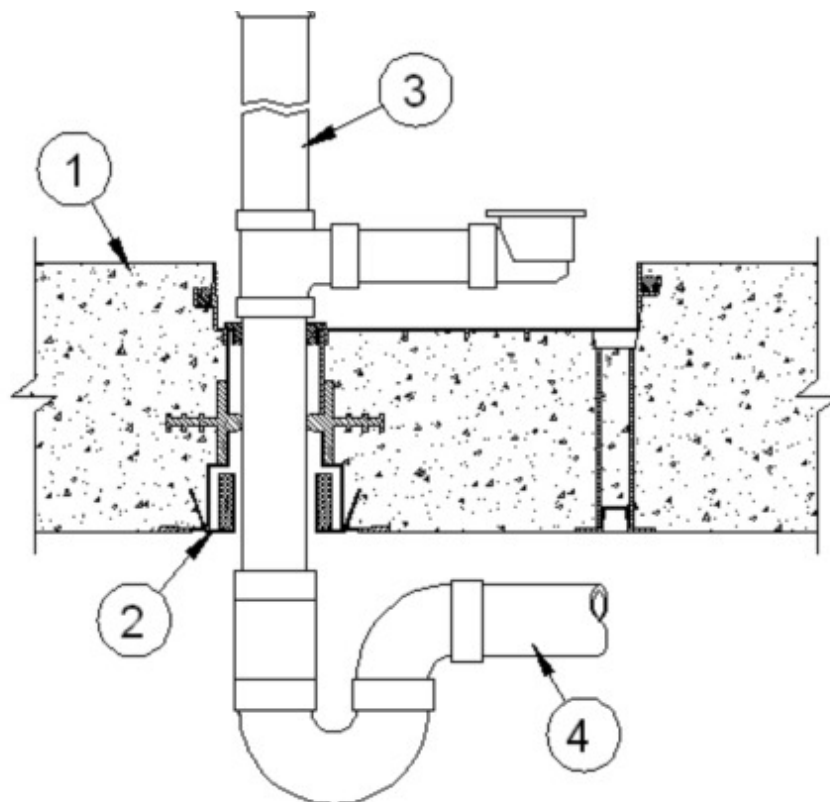
[See General Information for Through-penetration Firestop Systems](#)

[See General Information for Through-penetration Firestop Systems Certified for Canada](#)

System No. F-B-2043

September 12, 2016

ANSI/UL1479 (ASTM E814)	CAN/ULC S115
F Rating — 3 Hr	F Rating — 3 Hr
T Rating — 2 Hr	FT Rating — 2 Hr
L Rating At Ambient — Less Than 1 CFM/sq ft	FH Rating — 3 Hr
L Rating At 400 F — Less Than 1 CFM/sq ft	FTH Rating — 2 Hr
W Rating — Class 1	L Rating At Ambient — Less Than 5.1 L/s/m ²
	L Rating At 400 F — Less Than 5.1 L/s/m ²



1. **Floor Assembly** — Min 7 in. (179 mm) thick reinforced lightweight or normal weight (100-150 pcf or 1600-2400 kg/m³) concrete.

2. **Firestop Device* — Tub Box** — Nom 12-1/2 in. (318 mm) long by 2 in. (51 mm) deep nonmetallic tub box with adjustable legs and intumescent coupling. Cast in place firestop device attached to form and permanently embedded during concrete placement or grouted in concrete assembly in accordance with accompanying installation instructions. Min concrete thickness of 4-1/2 in. (51 mm) shall be maintained below tub box. For Conf A HFP devices and optional accessories (not shown) includes sleeve extension installed in accordance with installation instructions.

SECURUS INC, DBA HOLDRITE — (Config A) HydroFlame HFPTB-NP-0200, HFPTB-TW-0200 or (Config B) HydroFlame TBS-TW-0150, HydroFlame TBS-NP-0150

3. **Waste/Overflow Fitting — (Conf A)** - Nom 1-1/2 in. (38 mm) diam thin-wall PVC waste/overflow fitting and drain tube inserted in and secured to top of tub box base using drain seal bushing supplied with firestop device. **(Conf B)** - Nom 1-1/2 in. (38 mm) diam thin-wall PVC waste/overflow fitting and drain tube inserted in and secured to top of tub box base using drain seal bushing supplied with firestop device.

3A. **Alternate Waste/Overflow Fitting** — (Not Shown) — Nom 1-1/2 in. (38 mm) diam Schedule 40 polyvinyl chloride (PVC) waste/overflow fitting and drain pipe. **(Conf A)**, Drain tube of waste/overflow fitting secured in top (optional) of tub box base using drain seal bushing supplied with firestop device or waste/overflow fitting inserted through tub box and base. **(Conf B)**, Nom 1-1/2 in. (38 mm) diam Schedule 40 polyvinyl chloride (PVC) waste/overflow fitting and drain pipe cemented together and inserted through base of tub box.

4. **Drain Piping** — Nom 1-1/2 in. (38 mm) or 2 in. (51 mm) diam Schedule 40 PVC, Schedule 40 ABS, cast iron or copper drain piping with the appropriate fittings/bushings for connection to the waste/overflow fitting. Drain piping rigidly supported away from tub box with suitable hangers.

*** Indicates such products shall bear the UL or cUL Certification Mark for jurisdictions employing the UL or cUL Certification (such as Canada), respectively.**

Last Updated on 2016-09-12

[Questions?](#)

[Print this page](#)

[Terms of Use](#)

[Page Top](#)

© 2016 UL LLC

The appearance of a company's name or product in this database does not in itself assure that products so identified have been manufactured under UL's Follow-Up Service. Only those products bearing the UL Mark should be considered to be Certified and covered under UL's Follow-Up

System No. F-B-1018 XHEZ.F-B-1018 Through-penetration Firestop Systems

[Page Bottom](#)

Design/System/Construction/Assembly Usage Disclaimer

- Authorities Having Jurisdiction should be consulted in all cases as to the particular requirements covering the installation and use of UL Certified products, equipment, system, devices, and materials.
 - Authorities Having Jurisdiction should be consulted before construction.
 - Fire resistance assemblies and products are developed by the design submitter and have been investigated by UL for compliance with applicable requirements. The published information cannot always address every construction nuance encountered in the field.
 - When field issues arise, it is recommended the first contact for assistance be the technical service staff provided by the product manufacturer noted for the design. Users of fire resistance assemblies are advised to consult the general Guide Information for each product category and each group of assemblies. The Guide Information includes specifics concerning alternate materials and alternate methods of construction.
 - Only products which bear UL's Mark are considered Certified.
-

XHEZ - Through-penetration Firestop Systems

[See General Information for Through-penetration Firestop Systems](#)

System No. F-B-1018

September 12, 2016

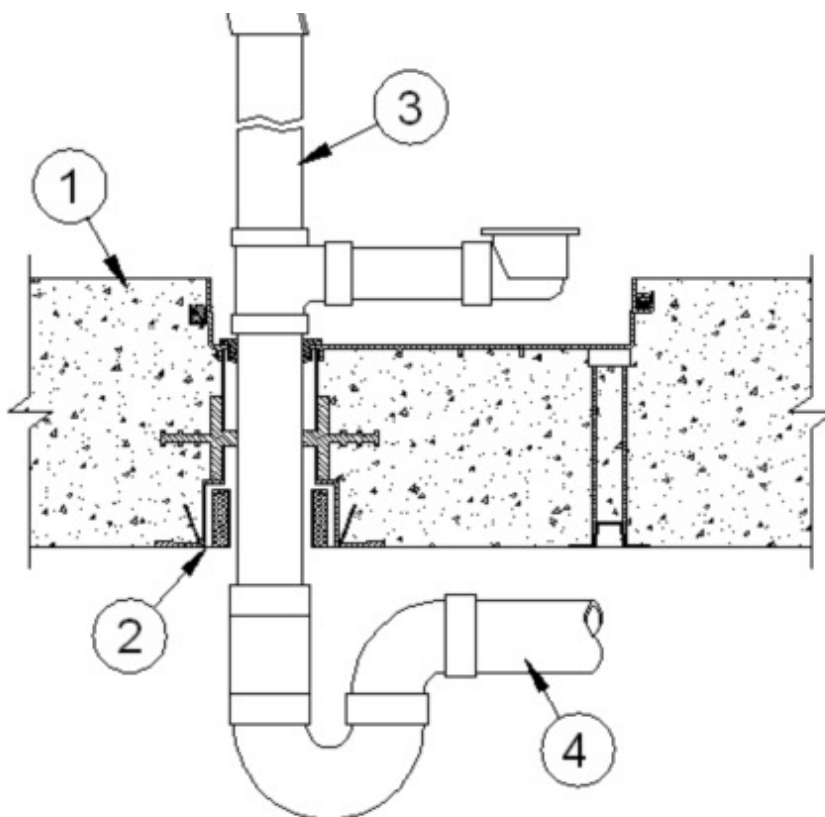
F Rating — 3 Hr

T Rating — 2 Hr

L Rating At Ambient - Less Than 1 CFM/sq ft

L Rating At 400°F - Less Than 1 CFM/sq ft

W Rating — Class 1



System tested with a pressure differential of 2.5 Pa between the exposed and the unexposed surfaces with the higher pressure on the exposed side.

1. **Floor Assembly** — Min 7 in. (178 mm) thick reinforced lightweight or normal weight (100-150 pcf or 1600-2400 kg/m³) concrete.

2. **Firestop Device* — Tub Box** — Nom 12-1/2 in. (318 mm) long by 2 in. (51 mm) deep nonmetallic tub box with adjustable legs and intumescent coupling. Cast in place firestop device attached to form and permanently embedded during concrete placement or grouted in concrete assembly in accordance with accompanying installation instructions. Min concrete thickness of 4-1/2 in. (51 mm) shall be maintained below tub box. For HFP devices optional accessory (not shown) includes sleeve extension installed in accordance with installation instructions.

SECURUS INC, DBA HOLDRITE — (Configuration A) HydroFlame HFPTB-NP-0200, HFPTB-TW-0200, (Configuration B) HydroFlame TBS-TW-0150

3. **Waste/Overflow Fitting** — Nom 1-1/2 in. (38 mm) diam brass waste/overflow fitting with chromed brass drain tube inserted through base of tub box. **(Config A, HFPTB devices)**, Drain tube of waste/overflow fitting secured in top of tub box base using drain seal bushing supplied with firestop device. **(Config B. TBS-TW-0150 device)**, Drain tube of waste/overflow fitting secured in top or bottom of tub box base using drain seal bushing supplied with firestop device.

4. **Drain Piping** — Nom 1-1/2 in. (38 mm) or 2 in. (51 mm) diam cast iron or copper drain piping with the appropriate fittings/bushings for connection to the waste/overflow fitting. Drain piping rigidly supported away from tub box with suitable hangers.

*** Indicates such products shall bear the UL or cUL Certification Mark for jurisdictions employing the UL or cUL Certification (such as Canada), respectively.**

Last Updated on 2016-09-12

[Questions?](#)

[Print this page](#)

[Terms of Use](#)

[Page Top](#)

© 2016 UL LLC

The appearance of a company's name or product in this database does not in itself assure that products so identified have been manufactured under UL's Follow-Up Service. Only those products bearing the UL Mark should be considered to be Certified and covered under UL's Follow-Up Service. Always look for the Mark on the product.

System No. F-A-2183 XHEZ.F-A-2183 Through-penetration Firestop Systems

[Page Bottom](#)

Design/System/Construction/Assembly Usage Disclaimer

- Authorities Having Jurisdiction should be consulted in all cases as to the particular requirements covering the installation and use of UL Certified products, equipment, system, devices, and materials.
- Authorities Having Jurisdiction should be consulted before construction.
- Fire resistance assemblies and products are developed by the design submitter and have been investigated by UL for compliance with applicable requirements. The published information cannot always address every construction nuance encountered in the field.
- When field issues arise, it is recommended the first contact for assistance be the technical service staff provided by the product manufacturer noted for the design. Users of fire resistance assemblies are advised to consult the general Guide Information for each product category and each group of assemblies. The Guide Information includes specifics concerning alternate materials and alternate methods of construction.
- Only products which bear UL's Mark are considered Certified.

XHEZ - Through-penetration Firestop Systems

XHEZ7 - Through-penetration Firestop Systems Certified for Canada

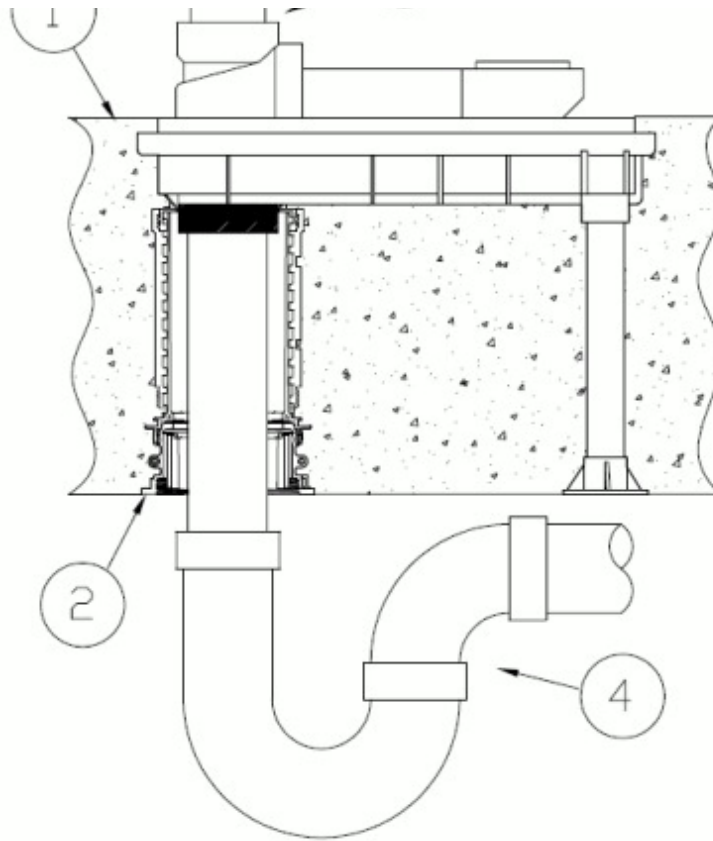
[See General Information for Through-penetration Firestop Systems](#)

[See General Information for Through-penetration Firestop Systems Certified for Canada](#)

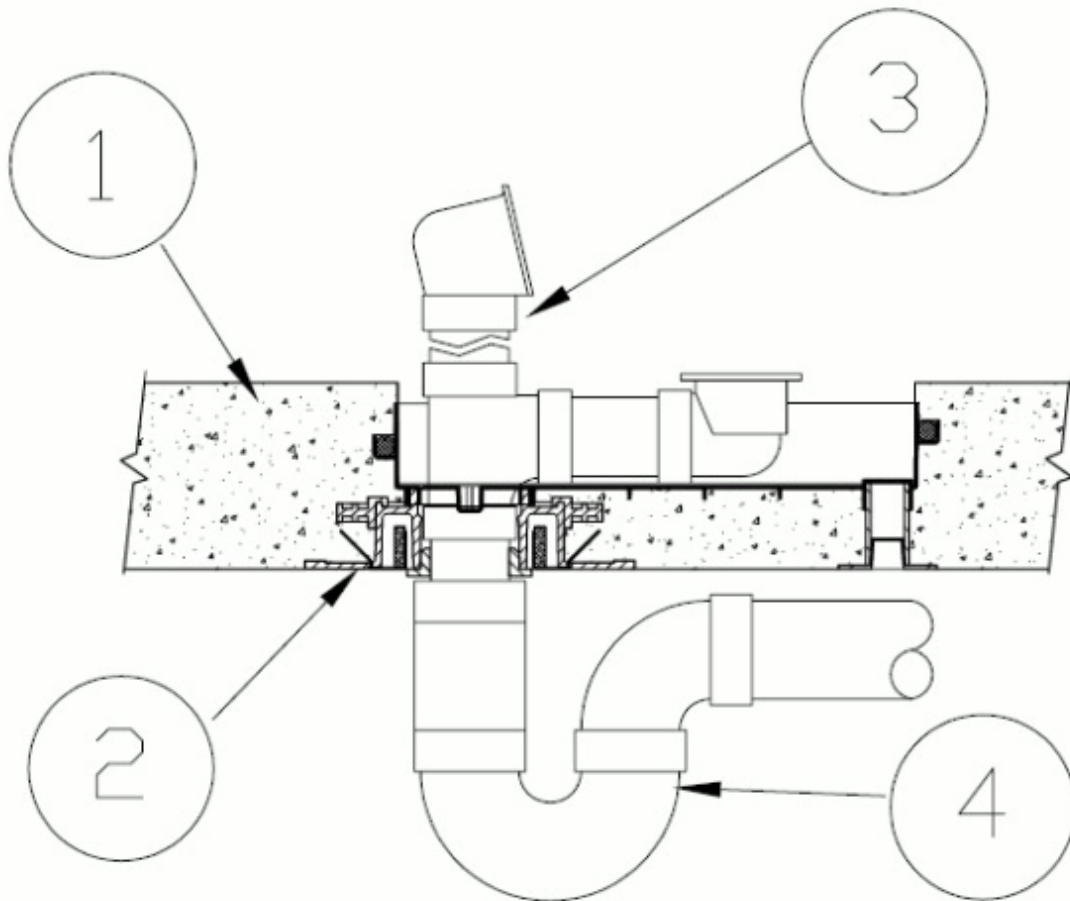
System No. F-A-2183

September 12, 2016

ANSI/UL1479 (ASTM E814)	CAN/ULC S115
F Ratings — 2 or 3 Hr (See Item 2)	F Ratings — 2 or 3 Hr (See Item 2)
T Rating — 3/4 Hr	FT Ratings — 3/4 & 2 Hr (See Item 2)
L Rating At Ambient — Less Than 1 CFM/sq ft	FH Ratings — 2 or 3 Hr (See Item 2)
L Rating At 400 F — Less Than 1 CFM/sq ft	FTH Ratings — 3/4 & 2 Hr (See Item 2)
W Rating — Class 1 (See Item 2)	L Rating At Ambient — Less Than 5.1 L/s/m ²
	L Rating At 400 F — Less Than 5.1 L/s/m ²



Configuration A



Configuration B

kg/m³) concrete.

2. **Firestop Device* — Tub Box** — Nom 12-1/2 in. (318 mm) long by 2 in. (51 mm) deep nonmetallic tub box with adjustable legs and intumescent coupling. Cast in place firestop device attached to form and permanently embedded during concrete placement or grouted in concrete assembly in accordance with accompanying installation instructions. For Config A HFP devices optional accessory (not shown) includes sleeve extension installed in accordance with installation instructions. Min concrete thickness of 2 in. (51 mm) shall be maintained below tub box.

SECURUS INC, DBA HOLDRITE — HydroFlame (Config A) HFPTB-NP-0200 HFPTB-TW-0200 or (Config B) TB-NP0200, TB-TW-0200

Note: System is limited to 2 hours when TB-NP-0200, TB-TW-0200 is used. T Rating is 2 hr when HPF devices are used. W-Rating is applicable when (Config A) HFP devices are installed is used or (Config B) when the Midbody seal is installed on the TB devices.

3. **Waste/Overflow Fitting** — Nom 1-1/2 in. (38 mm) diam Schedule 40 polyvinyl chloride (PVC) waste/overflow fitting and drain pipe cemented together and inserted through base of tub box. Conf A, Drain pipe of waste/overflow fitting secured in top (optional) of tub box base using drain seal bushing supplied with firestop device or waste/overflow fitting inserted through tub box and base. Conf B, Drain pipe of waste/overflow fitting secured in top or bottom of tub box base using drain seal bushing supplied with firestop device.

3A. **Alternate Waste/Overflow Fitting** — (Not Shown) — Nom 1-1/2 in. (38 mm) diam thin-wall PVC waste/overflow fitting and drain tube inserted in and secured to top of tub box base using drain seal bushing supplied with firestop device.

4. **Drain Piping** — Nom 1-1/2 in. (38 mm) or 2 in. (51 mm) diam Schedule 40 PVC, Schedule 40 ABS, cast iron or copper drain piping with the appropriate fittings/bushings for connection to the waste/overflow fitting. When alternate thin-wall PVC waste/overflow fitting (Item 3A) is used in Conf B, nom 2 in. (51 mm) diam PVC pipe cemented into bottom of tub box base for connection to P-trap. Drain piping rigidly supported away from tub box with suitable hangers.

*** Indicates such products shall bear the UL or cUL Certification Mark for jurisdictions employing the UL or cUL Certification (such as Canada), respectively.**

Last Updated on 2016-09-12

[Questions?](#)

[Print this page](#)

[Terms of Use](#)

[Page Top](#)

© 2016 UL LLC

The appearance of a company's name or product in this database does not in itself assure that products so identified have been manufactured under UL's Follow-Up Service. Only those products bearing the UL Mark should be considered to be Certified and covered under UL's Follow-Up Service. Always look for the Mark on the product.

UL permits the reproduction of the material contained in the Online Certification Directory subject to the following conditions: 1. The Guide Information, Assemblies, Constructions, Designs, Systems, and/or Certifications (files) must be presented in their entirety and in a non-misleading manner, without any manipulation of the data (or drawings). 2. The statement "Reprinted from the Online Certifications Directory with permission from UL" must appear adjacent to the extracted material. In addition, the reprinted material must include a copyright notice in the following format: "© 2016 UL LLC".



System No. F-A-1103 XHEZ.F-A-1103 Through-penetration Firestop Systems

[Page Bottom](#)

Design/System/Construction/Assembly Usage Disclaimer

- Authorities Having Jurisdiction should be consulted in all cases as to the particular requirements covering the installation and use of UL Certified products, equipment, system, devices, and materials.
- Authorities Having Jurisdiction should be consulted before construction.
- Fire resistance assemblies and products are developed by the design submitter and have been investigated by UL for compliance with applicable requirements. The published information cannot always address every construction nuance encountered in the field.
- When field issues arise, it is recommended the first contact for assistance be the technical service staff provided by the product manufacturer noted for the design. Users of fire resistance assemblies are advised to consult the general Guide Information for each product category and each group of assemblies. The Guide Information includes specifics concerning alternate materials and alternate methods of construction.
- Only products which bear UL's Mark are considered Certified.

XHEZ - Through-penetration Firestop Systems

XHEZ7 - Through-penetration Firestop Systems Certified for Canada

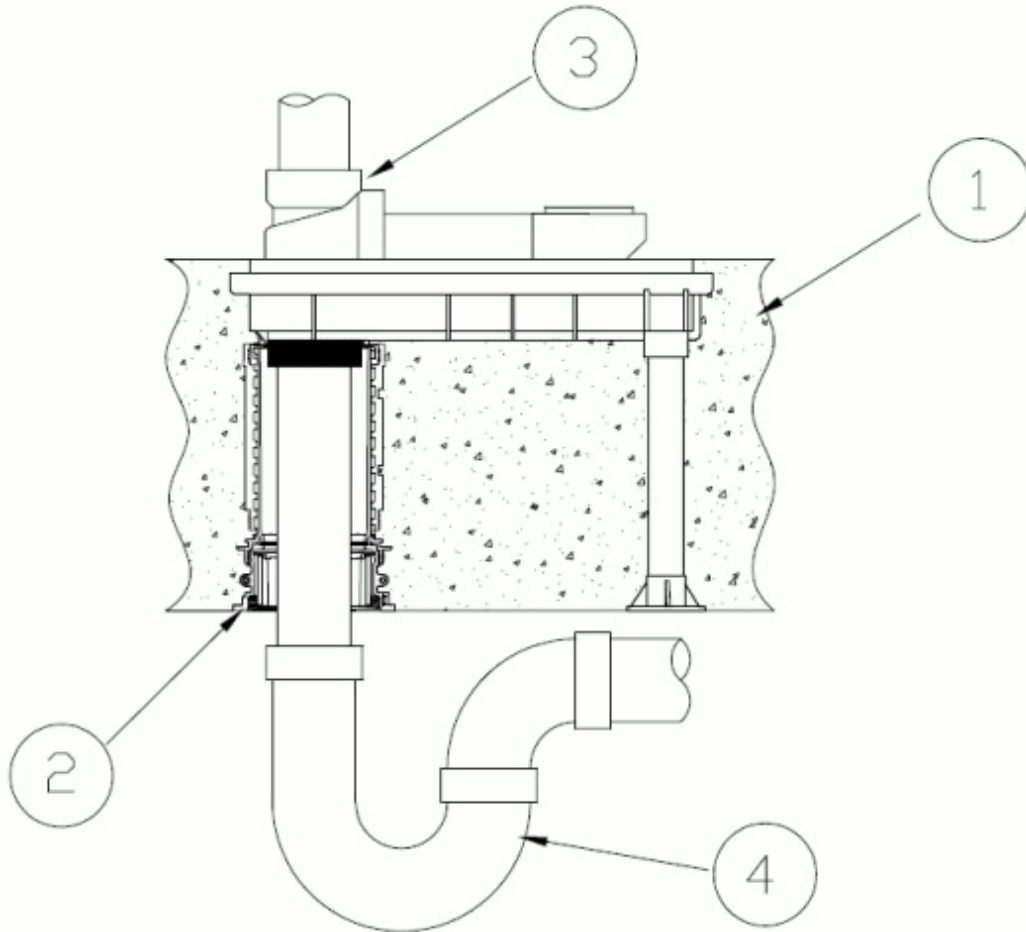
[See General Information for Through-penetration Firestop Systems](#)

[See General Information for Through-penetration Firestop Systems Certified for Canada](#)

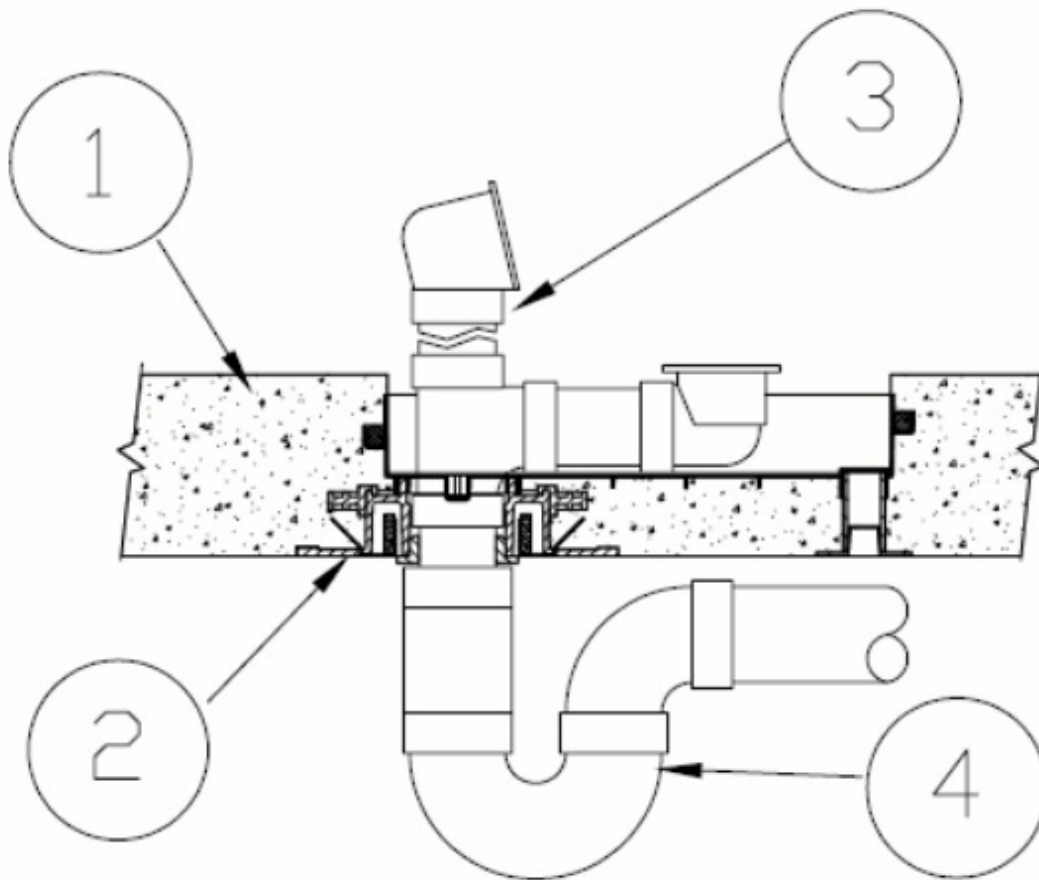
System No. F-A-1103

September 12, 2016

ANSI/UL1479 (ASTM E814)	CAN/ULC S115
F Ratings — 2 or 3 Hr (See Item 2)	F Ratings — 2 or 3 Hr (See Item 2)
T Rating — 3/4 Hr	FT Rating — 3/4 Hr
L Rating At Ambient — Less Than 1 CFM/sq ft	FH Ratings — 2 or 3 Hr (See Item 2)
L Rating At 400 F — Less Than 1 CFM/sq ft	FTH Rating — 3/4 Hr
W Rating — Class 1 (See Item 2)	L Rating At Ambient — Less Than 5.1 L/s/m ²
	L Rating At 400 F — Less Than 5.1 L/s/m ²



Configuration A



Configuration B

System tested with a pressure differential of 2.5 Pa between the exposed and the unexposed surfaces with the higher pressure on the exposed side.

1. **Floor Assembly** — Min 4-1/2 in. (114 mm) thick reinforced lightweight or normal weight (100-150 pcf or 1600-2400 kg/m³) concrete.
2. **Firestop Device* — Tub Box** — Nom 12-1/2 in. (318 mm) long by 2 in. (51 mm) deep nonmetallic tub box with adjustable legs and intumescent coupling. Cast in place firestop device attached to form and permanently embedded during concrete placement or grouted in concrete assembly in accordance with accompanying installation instructions. Min concrete thickness of 2 in. (51 mm) shall be maintained below tub box. Config A HFP devices optional accessory (not shown) includes sleeve extension installed in accordance with installation instructions. For Config B TB devices optional accessory (not shown) includes Midbody seal installed in accordance with installation instructions.

SECURUS INC, DBA HOLDRITE — (Config A) HydroFlame HFPTB-NP-0200, HFPTB-TW-0200 or (Config B) HydroFlame TB-NP-0200, TB-TW-0200

Note: System is limited to 2 hours when TB devices are used. W-Rating is applicable when (Config A) HFP devices are installed is used or (Config B) when the Midbody seal is installed on the TB device.

3. **Waste/Overflow Fitting** — Nom 1-1/2 in. (38 mm) diam brass waste/overflow fitting with chromed brass drain tube inserted through base of tub box. For HFP series devise (Config A), Drain tube of waste/overflow fitting secured in top of tub box base using drain seal bushing supplied with firestop device. For TB series devices (Config B), Drain tube of waste/overflow fitting secured in top or bottom of tub box base using drain seal bushing supplied with firestop device.
4. **Drain Piping** — Nom 1-1/2 in. (38 mm) or 2 in. (51 mm) diam cast iron or copper drain piping with the appropriate fittings/bushings for connection to the waste/overflow fitting. Drain piping rigidly supported away from tub box with suitable hangers.

*** Indicates such products shall bear the UL or cUL Certification Mark for jurisdictions employing the UL or cUL Certification (such as Canada), respectively.**

Last Updated on 2016-09-12

[Questions?](#)

[Print this page](#)

[Terms of Use](#)

[Page Top](#)

© 2016 UL LLC

The appearance of a company's name or product in this database does not in itself assure that products so identified have been manufactured under UL's Follow-Up Service. Only those products bearing the UL Mark should be considered to be Certified and covered under UL's Follow-Up Service. Always look for the Mark on the product.

UL permits the reproduction of the material contained in the Online Certification Directory subject to the following conditions: 1. The Guide Information, Assemblies, Constructions, Designs, Systems, and/or Certifications (files) must be presented in their entirety and in a non-misleading manner, without any manipulation of the data (or drawings). 2. The statement "Reprinted from the Online Certifications Directory with permission from UL" must appear adjacent to the extracted material. In addition, the reprinted material must include a copyright notice in the following format: "© 2016 UL LLC".