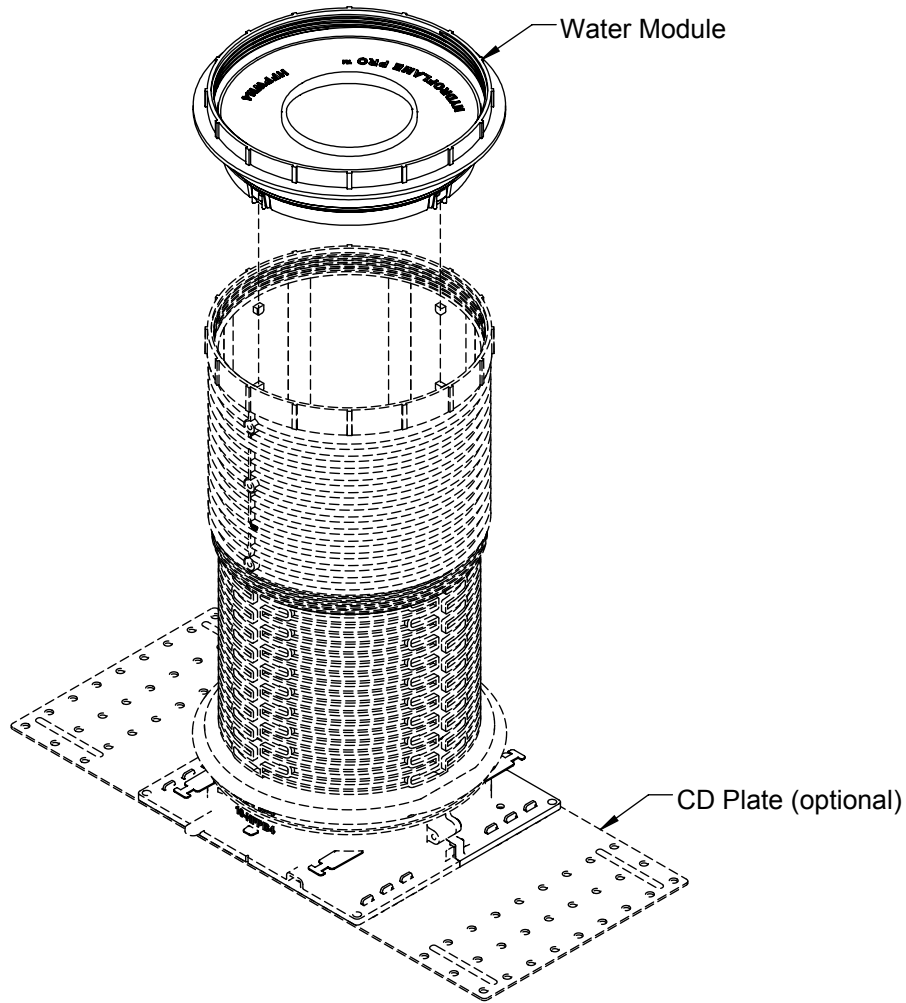


# PRODUCT SPECIFICATION DRAWING

## Hydroflame Pro Series - Water Module



The **HOLDRITE® Hydroflame Pro Series "Water Module"** (#HFPWM1 - #HFPWM6) attaches to the top of the Pro Series Sleeves and provide a water, smoke and debris stop for 1/2" thru 6" piping. It is a UL Listed, W-Rated accessory that is cast into concrete or can be attached to Pro Series "Water Dam" fittings. Adds 1/2" to height of sleeve.

**Product Information:**

- Material:
  - Body: Polypropylene
  - Seal: Thermal Plastic Rubber (TPR); Mold & Fungus resistant per ASTM G-21.
- Patented & Patents Pending
- See Hydroflame Pro Series Installation Instructions, Best Practices documents and the latest UL Fire Resistive Directory file (R25101) for details.

THIS INFORMATION IS PROPRIETARY TO HOLDRITE AND IS SUBJECT TO CHANGE WITHOUT NOTICE. IT MAY NOT BE REPRODUCED IN PART OR WHOLE WITHOUT WRITTEN AUTHORIZATION.



Product Submittal	
Job Name:	
Date:	
Part Number:	Qty:
Architect / Owner:	
Contractor:	
Notes:	