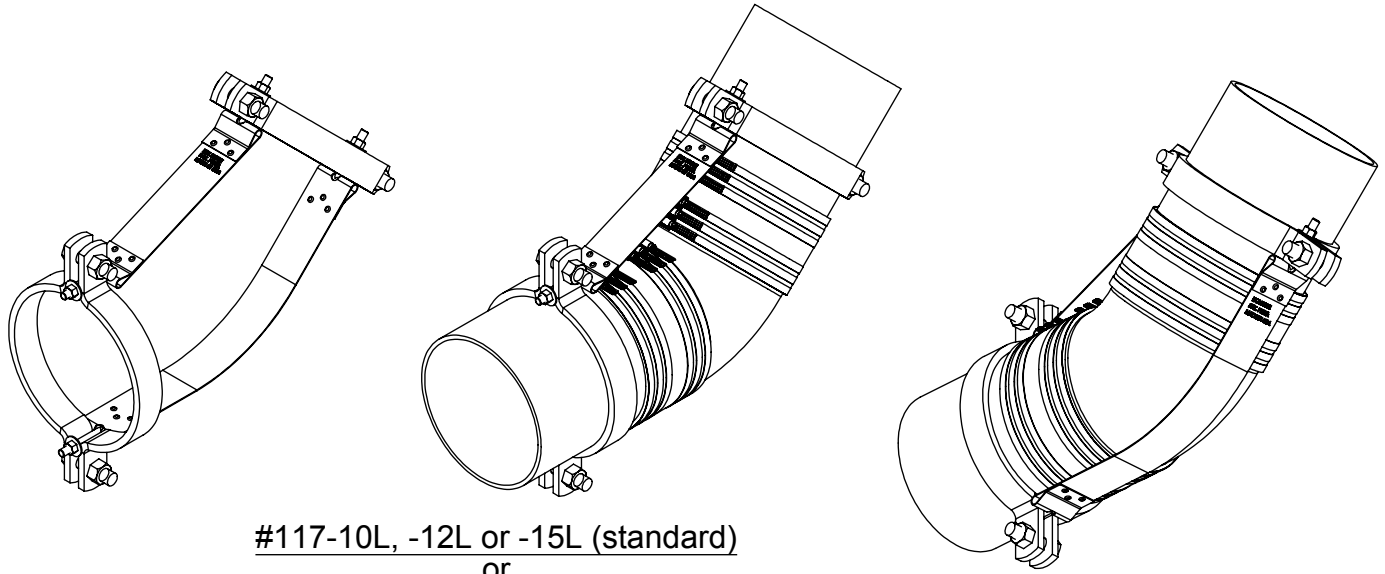


**PRODUCT SPECIFICATION DRAWING**  
**HOLDRITE® #117-10, -12 & -15 (L or L-G) Series No-Hub Fitting Restraints**



#117-10L, -12L or -15L (standard)  
 or  
#117-10L-G, -12L-G or -15L-G (galvanized)

THE HOLDRITE® #117-L Series No-Hub Restraints are designed to reinforce no-hub cast iron installations at 45° or 22° change of direction in accordance with the installation instructions of U.S. cast iron soil pipe manufacturers CISPI designation 310-11 and the 2006 CISPI Installation Handbook. The #117-10L (10” size), #117-12L (12” size) & #117-15L (15” size) retain the 45° elbow onto the adjoining piping. When installed correctly, these restraint brackets achieve a safe thrust pressure rating equal to 50’ head of water pressure for 10” models and 40’ for 12”-15”. Models ending in “-G” represent “galvanized”. Clamps to be torqued to 60 ft./lbs.

**NOTE:**

While these restraint kits aid in compliance with the 2006 CISPI Handbook, they are not intended to suggest that no-hub pipe and fittings should be subjected to pressures in excess of the pipe manufacturers' recommendations.

**Product Information:**

- Material:
  - Strap: 16GA, CRS, galvanized
  - Clamp: Heavy Duty Black or Galvanized Steel Pipe Clamp
  - Hardware: Standard (L) or Galvanized (L-G)
- Patent pending
- Thrust force restraint test data available upon request
- Refer to installation instructions at [www.holdrite.com](http://www.holdrite.com)

THIS INFORMATION IS PROPRIETARY TO HOLDRITE AND IS SUBJECT TO CHANGE WITHOUT NOTICE. IT MAY NOT BE REPRODUCED IN PART OR WHOLE WITHOUT WRITTEN AUTHORIZATION.



Product Submittal	
Job Name:	
Date:	
Part Number:	Qty:
Architect / Owner:	
Contractor:	
Notes:	