

CAST-IN-PLACE CLOSET FLANGE SLEEVE PS-NPCF, PS-CICF & PS-CXCF SERIES

For use In Concrete floor assemblies with flat form decks, Dust and fiber free environments such as hospitals, computer centers and laboratories

Product Description

- HydroFlame sleeves offer fire and water protection for a variety of pipe sizes and types that pass through concrete floors in single and multi-story buildings
- These sleeves are delivered to the job site completely assembled and need only be fastened to the form deck for final installation
- HydroFlame sleeves appreciably reduce job time and material expenses by not requiring additional steps, such as cutting and caulking

Non-Metallic & Metallic Through Penetrants

3" & 4" pipe sizes: ABS, ccABS, PVC, ccPVC, Cast Iron

Product Feature & Benefits

- Simple and quick installation
- Snug fit holds pipe in place
- Helps prevent water, fire, smoke, moisture & mold intrusion
- Reduces time to finish building by allowing dry in of bottom floors faster
- Helps eliminate rework due to water damage

Not for use in Walls

Safety & Precautions

- Keep this device out of reach of children and Read the Material & Safety Data Sheet

Storage of Device

- Store in a covered or closed area protected from weather
- Do not stack devices on top of one another other than how they are shipped from manufacture



Installation Instructions

- Select the correct sleeve for pipe type, size and concrete thickness. Align the hatch marks on lower base to layout lines on form deck to center the sleeve for the pipe that will penetrate through. **Note: It is recommended to use 6 penny nails through the nail slots to secure device to the deck. You may use appropriate staples to secure the device to form deck by straddling the nail slots on the edge of the base. DO NOT USE SCREWS TO SECURE THE DEVICE TO FORM DECK BECAUSE THE FORM DECK OR DEVICE COULD BE DAMAGED.** A Minimum of 4 holes should be used for nailing the sleeve to the wood form deck. Make sure the protective cap is securely inserted in the sleeve top before pouring concrete.
- Pour the concrete slab around the device to the appropriate slab thickness.
- As the form deck is removed after the appropriate concrete curing time has been accomplished, the nails can be pulled through the nail slots on the base, as designed. Remove the protective cap from the top portion of the device before inserting pipe.
- Prior to installation, thoroughly clean the outside of the pipe to be inserted through the sleeve. The pipe must be free of concrete, dirt, paint, rust or anything protruding from the outside of pipe including burrs of pipe material. Make sure the mid-body seal membrane is clean of all debris, dirt, concrete or anything that might have gotten on the mid-body seal membrane during or after construction that could damage the sealing surface of the mid-body seal membrane when the pipe is inserted through the mid-body seal. Failure to perform proper cleaning could damage the mid-body seal membrane of the sleeve when the pipe is installed. **Note: HOLDRITE HYDROFLAME is not responsible for sleeve performance when installation instructions are not followed and will not be liable for damage to property or persons due to improper installation of materials or through attempts to utilize the material under conditions which exceed the designed capacities. Purchaser agrees to indemnify and hold HOLDRITE harmless for any and all claims, liabilities, damages, costs and expenses asserted against HOLDRITE or incurred by us because of injuries to persons or damages to property resulting from the improper installation or misuse of the material. For additional warranty limitations, refer to HOLDRITE's Limited Warranty dated 1/15/13.**
- After cleaning the debris from the surface of the pipe, it can now be inserted through the device. Recommendations:
 - Insert the pipe of choice up through the bottom of the device. Note: If circumstances arrive in the field, you may insert the pipe of choice down through the top of the device. Care should be taken to avoid coming in contact with the top of the fire ring tabs that hold the fire material in place in the lower section of the device.
 - Use of the factory beveled end of the cast iron or steel pipe should be inserted through the device, if not, cast iron or steel pipe shall have a slight bevel applied to the end of pipe being inserted through the device to ease installation and minimize the possibility of damaging the mid-body seal membrane.
 - Use a compatible soap solution or other recommended compatible lubricant to ease installation and further minimize the possibility of damaging the mid-body seal membrane. Lightly tng the mid-body seal center sealing surface will ease the insertion of pipe.

Note: When installing closet flange, insert the pipe of choice through the sleeve till the top of the pipe is approximately flush with the top surface of the concrete. Use the proper solvent cement to glue the closet flange on the inside or outside of pipe depending on what size and type closet flange you use for your application. If needed, you can secure the closet flange to the concrete through

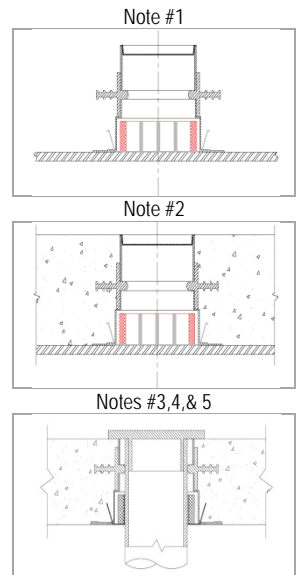
Product Submittal	
Job Name:	Architect/Owner:
Date:	Contractor:
Part#:	Qty:
	Notes:

the mounting holes in the closet flange with the appropriate screws/hardware after you have predrilled the holes into the concrete. You can also use the twist and set type closet flange with the rubber gasket that tightens up within the inside of the waste pipe. You can also use cast iron pipe with the appropriate fittings and closet flange for your application. Please refer to UL listing XHEZ.F-A-2189 for full details.



Note: Closet Flange Not Included

Technical Data for HYDROFLAME Firestop Material	
Physical Properties	
Color: Gray/Black	
Heat Expansion (Intumescence)	
Expansion begins:	410°F (210°C)
Significant expansion:	555°F (290°C)
Free expansion:	25 times (5 min @ 662°[350°C])
Weatherability (Tested to ASTM G23 and G53)	
Test Condition	Temperature/Humidity 90°F (32°C)/90%
Time	120 Days
After Exposure	No change in expansion
Surface Burning Characteristics (ASTM E84, UL 723)	
Flame spread index: 0	
Smoke development index: 5	
Testing Data	
UL Fire Tested & Listed to UL 1479 (ASTM E814) Standards	
L Rating UL	
W Rating UL	
F Rating UL – 3 Hours *With Plastic Pipe/Flange	





System No. F-A-2189 XHEZ.F-A-2189 Through-penetration Firestop Systems

[Page Bottom](#)

Design/System/Construction/Assembly Usage Disclaimer

- Authorities Having Jurisdiction should be consulted in all cases as to the particular requirements covering the installation and use of UL Certified products, equipment, system, devices, and materials.
- Authorities Having Jurisdiction should be consulted before construction.
- Fire resistance assemblies and products are developed by the design submitter and have been investigated by UL for compliance with applicable requirements. The published information cannot always address every construction nuance encountered in the field.
- When field issues arise, it is recommended the first contact for assistance be the technical service staff provided by the product manufacturer noted for the design. Users of fire resistance assemblies are advised to consult the general Guide Information for each product category and each group of assemblies. The Guide Information includes specifics concerning alternate materials and alternate methods of construction.
- Only products which bear UL's Mark are considered Certified.

XHEZ - Through-penetration Firestop Systems

XHEZ7 - Through-penetration Firestop Systems Certified for Canada

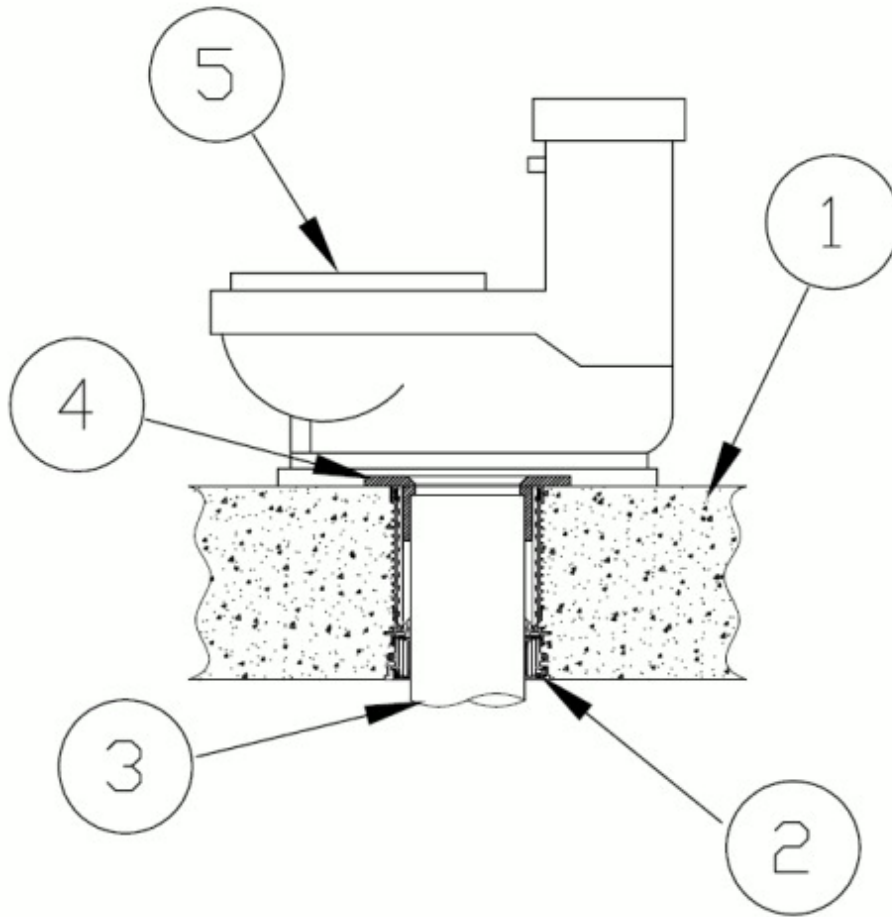
[See General Information for Through-penetration Firestop Systems](#)

[See General Information for Through-penetration Firestop Systems Certified for Canada](#)

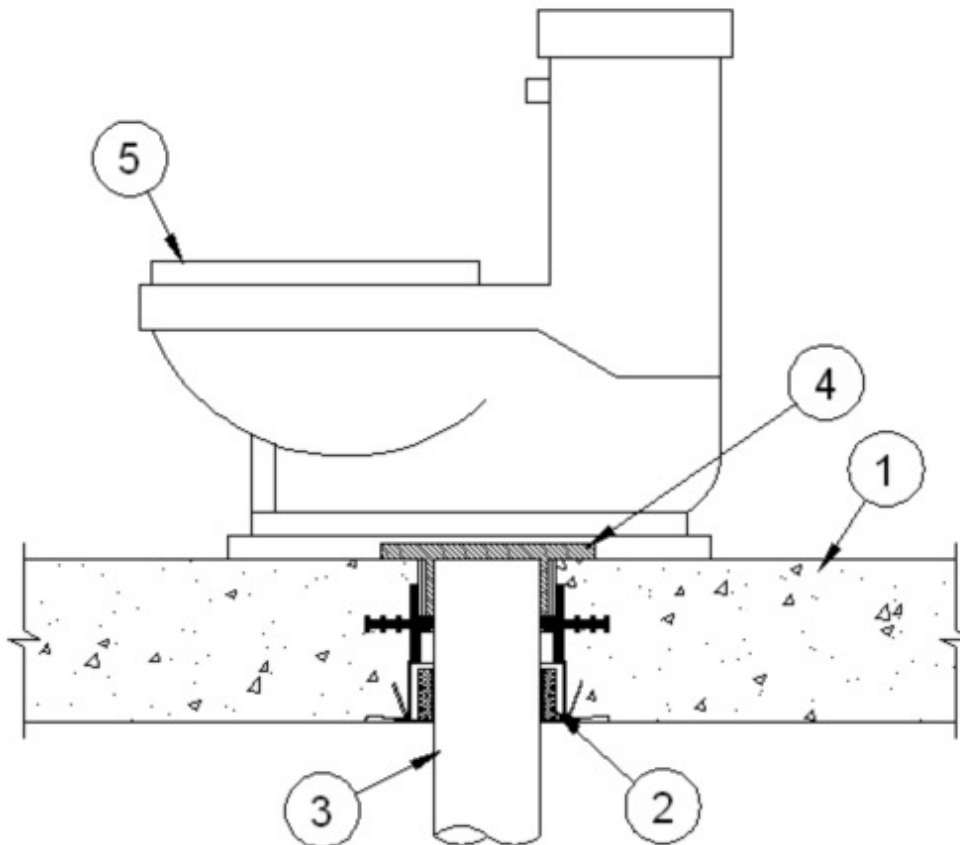
System No. F-A-2189

September 12, 2016

ANSI/UL1479 (ASTM E814)	CAN/ULC S115
F Rating — 3 Hr	F Rating — 3 Hr
T Rating — 3 Hr	FT Rating — 3 Hr
L Rating At Ambient — Less Than 1 CFM/sq ft	FH Rating — 3 Hr
L Rating At 400 F — Less Than 1 CFM/sq ft	FTH Rating — 3 Hr
W Rating — Class 1	L Rating At Ambient — Less Than 5.1 L/s/m ²
	L Rating At 400 F — Less Than 5.1 L/s/m ²



Configuration A



Configuration B

System tested with a pressure differential of 2.5 Pa between the exposed and the unexposed surfaces with the higher pressure on the exposed side.

1. **Floor Assembly** — Min 4-1/2 in. (114 mm) thick reinforced lightweight or normal weight (100-150 pcf or 1600-2400 kg/m³) concrete floor when measured above base of device excluding any adapters.

1A. **Floor Assembly** — (Not Shown) — The fire-rated concrete and fluted steel deck floor assembly shall be constructed of the materials and in the manner specified in the individual D900 Series designs in the UL Fire Resistance Directory and as summarized below:

A. **Concrete** — Min 2-1/2 in. (64 mm) thick reinforced lightweight or normal weight (100-150 pcf or 1600-2400 kg/m³) concrete topping, as measured over crests of fluted floor units and above base of device excluding any adapters.

B. **Steel Floor and Form Units*** — Composite or noncomposite max 3 in. (76 mm) deep fluted galv units as specified in the individual Floor-Ceiling design. Diam of opening cut through fluted floor unit to be maximum 1/4 in. (6 mm) larger than outside diameter of bottom extension portion of firestop device base.

2. **Firestop Device*** — Cast-in-place firestop device permanently embedded during concrete placement in accordance with accompanying installation instructions. For Conf A HFP devices and optional accessories (not shown) includes sleeve extension, water module, deck adapter and/or aerator adapter installed in accordance with installation instructions. For Conf B devices, optional accessory (not shown) includes aerator adapter installed in accordance with the installation instructions. The device shall be installed flush with top and bottom surfaces of floor.

Nom Pipe Diam in. (mm)	Conf A Firestop Devices for Concrete Slab	Conf A Firestop Devices for Fluted Deck (Not Shown)	Conf B Firestop Devices for Concrete Slab	Conf B Firestop Devices for Fluted Deck (Not Shown)
3 (76)	HFP-CF3PL, HFP-CF3PLB, HFP-P3, HFP-P3B	add HFPCD3	PS-NPCF-0300, PS-NPCF40-0300, OPS-PL-0300, OPS-PL40-0300	CD-CPCF-0300, CD-NPCF40-0300, CD-OPS-PL-0300, CD-OPS-PL40-0300
3 to 4 (76 to 102)	HFP-CF4PL, HFP-CF4PLB, HFP-P4, HFP-P4B	add HFPCD4	PS-NPCF-0400, OPS-PL-0400	CD-NPCF-0400, CD-OPS-PL-0400

SECURUS INC, DBA HOLDRITE — (Configuration A) HydroFlame HFP-CF3PL, HFP-CF3PLB, HFP-CF4PL, HFP-CF4PLB, HFP-P3, HFP-P3B, HFP-P4, HFP-P4B or (Configuration B) HydroFlame PS-CF, PS-NPCF-0300, PS-NPCF40-0300, PS-NPCF-0400, CD-NPCF-0300, CD-NPCF40-0300, OPS-PL-0300, OPS-PL40-0300, OPS-PL-0400, CD-OPS-PL-0300, CD-OPS-PL40-0300, CD-OPS-PL-0400

3. **Nonmetallic Pipe** — One nonmetallic pipe to be installed within the firestop device. Pipe to be installed approximately flush with top surface of floor in accordance with firestop device installation instructions and to be rigidly supported on underside of floor assembly. The following types of pipe may be used:

A. **Polyvinyl Chloride (PVC) Pipe** — Nom 3 in. (76 mm) or 4 in. (102 mm) diam Schedule 40 solid or cellular core PVC pipe.

B. **Acrylonitrile Butadiene Styrene (ABS) Pipe** — Nom 3 in. (76 mm) or 4 in. (102 mm) diam Schedule 40 solid or cellular core ABS pipe.

4. **Toilet Flange** — PVC or ABS toilet flange with nominal 7 in. (178 mm) diam top ring and with nominal 4 in. (102 mm) OD throat sized to fit both 3 in. (76 mm) and 4 in. (102 mm) diam drain piping. Toilet flange cemented to top of nonmetallic pipe (Item 3) and secured to top surface of floor with closet bolts.

5. **Water Closet** — Floor mounted vitreous china water closet. Install in accordance to installation instructions.

*** Indicates such products shall bear the UL or cUL Certification Mark for jurisdictions employing the UL or cUL Certification (such as Canada), respectively.**

Last Updated on 2016-09-12

[Questions?](#)

[Print this page](#)

[Terms of Use](#)

[Page Top](#)

© 2016 UL LLC

The appearance of a company's name or product in this database does not in itself assure that products so identified have been manufactured under UL's Follow-Up Service. Only those products bearing the UL Mark should be considered to be Certified and covered under UL's Follow-Up Service. Always look for the Mark on the product.

UL permits the reproduction of the material contained in the Online Certification Directory subject to the following conditions: 1. The Guide Information, Assemblies, Constructions, Designs, Systems, and/or Certifications (files) must be presented in their entirety and in a non-misleading manner, without any manipulation of the data (or drawings). 2. The statement "Reprinted from the Online Certifications Directory with permission from UL" must appear adjacent to the extracted material. In addition, the reprinted material must include a copyright notice in the following format: "© 2016 UL LLC".

System No. F-A-1109 XHEZ.F-A-1109 Through-penetration Firestop Systems

[Page Bottom](#)

Design/System/Construction/Assembly Usage Disclaimer

- Authorities Having Jurisdiction should be consulted in all cases as to the particular requirements covering the installation and use of UL Certified products, equipment, system, devices, and materials.
- Authorities Having Jurisdiction should be consulted before construction.
- Fire resistance assemblies and products are developed by the design submitter and have been investigated by UL for compliance with applicable requirements. The published information cannot always address every construction nuance encountered in the field.
- When field issues arise, it is recommended the first contact for assistance be the technical service staff provided by the product manufacturer noted for the design. Users of fire resistance assemblies are advised to consult the general Guide Information for each product category and each group of assemblies. The Guide Information includes specifics concerning alternate materials and alternate methods of construction.
- Only products which bear UL's Mark are considered Certified.

XHEZ - Through-penetration Firestop Systems

XHEZ7 - Through-penetration Firestop Systems Certified for Canada

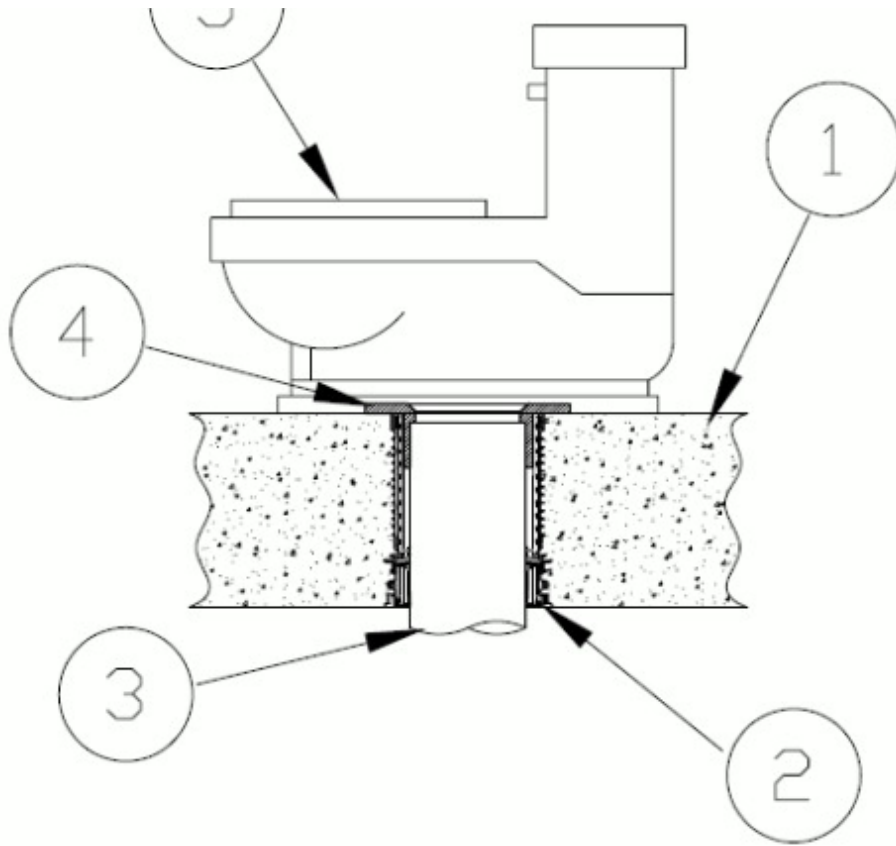
[See General Information for Through-penetration Firestop Systems](#)

[See General Information for Through-penetration Firestop Systems Certified for Canada](#)

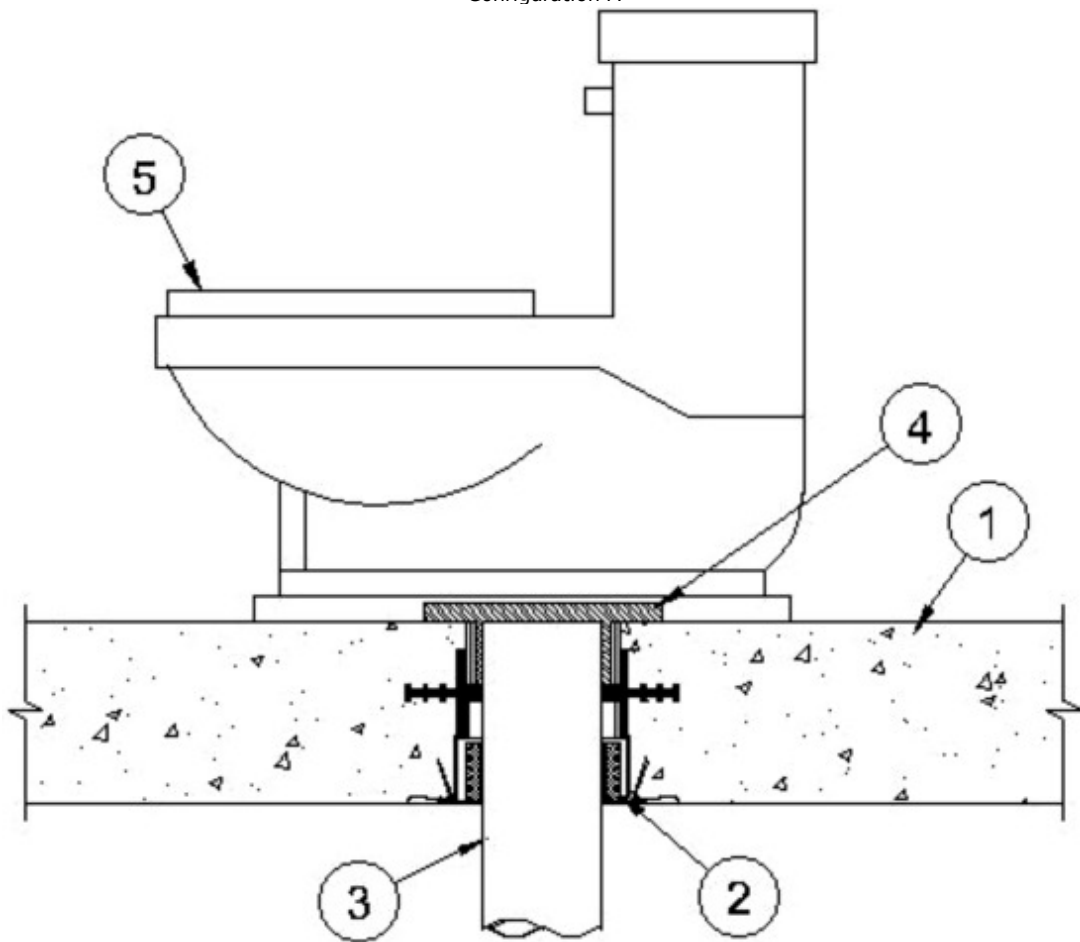
System No. F-A-1109

September 12, 2016

ANSI/UL1479 (ASTM E814)	CAN/ULC S115
F Rating — 3 Hr	F Rating — 3 Hr
T Rating — 0 Hr	FT Rating — 0 Hr
L Rating At Ambient — Less Than 1 CFM/sq ft	FH Rating — 3 Hr
L Rating At 400 F — Less Than 1 CFM/sq ft	FTH Rating — 0 Hr
W Rating — Class 1	L Rating At Ambient — Less Than 5.1 L/s/m ²
	L Rating At 400 F — Less Than 5.1 L/s/m ²



Configuration A



Configuration B

kg/m³) concrete floor measured over the base of the device.

1A. **Floor Assembly** — (Not Shown) — The fire-rated concrete and fluted steel deck floor assembly shall be constructed of the materials and in the manner specified in the individual D900 Series designs in the UL Fire Resistance Directory and as summarized below:

A. **Concrete** — Config A Min 2-1/2 in. (64 mm) or Config B Min 4-1/2 in. (114 mm) thick reinforced lightweight or normal weight (100-150 pcf or 1600-2400 kg/m³) concrete topping, as measured over crests of fluted floor units or the top of the base of the device.

B. **Steel Floor and Form Units*** — Composite or noncomposite max 3 in. (76 mm) deep fluted galv units as specified in the individual Floor-Ceiling design. Diam of opening cut through fluted floor unit to be maximum 1/4 in. (6 mm) larger than outside diameter of bottom extension portion of firestop device base.

Configuration A

2. **Firestop Device*** — Cast-in-place firestop device permanently embedded during concrete placement in accordance with accompanying installation instructions. The device shall be installed flush with top and bottom surfaces of floor. For HFP devices the optional accessories (not shown) includes a sleeve extension, aerator adaptor, deck adapter and/or water module installed in accordance with installation instructions. The devices are sized to accommodate installed pipe sizes.

Nom Pipe Diam in. (mm)	Firestop Devices for Concrete Slab	Firestop Devices for Fluted Deck (Not Shown)
3 (76)	HFP-CF3NH, HFP-CF3NHB, HFP-M3, HFP-M3B, HFP-P3, HFP-P3B HFP-CF3PL, HFP-CF3PLB	add HFPCD3
3 to 4 (76 to 102)	HFP-CF4HN, HFP-CF4NHB, HFP-M4, HFP-M4B, HFP-P4, HFP-P4B HFP-CF4PL, HFP-CF4PLB	add HFPCD4

SECURUS INC, DBA HOLDRITE — HydroFlame HFP-CFxNH, HFP-CFxNHB, HFP-CFxPL, HFP-CFxPLB HFP-M3, HFP-M3B, HFP-P3, HFP-P3B, HFP-M4, HFP-M4B, HFP-P4, HFP-P4B

Configuration B

2. **Firestop Device*** — Cast-in-place firestop device permanently embedded during concrete placement in accordance with accompanying installation instructions. The device shall be installed flush with top and bottom surfaces of floor. Optional accessories (not shown) includes aerator adapter installed in accordance with the installation instructions The devices are sized to accommodate the pipe sizes installed.

SECURUS INC, DBA HOLDRITE — HydroFlame PS-CICF-xxxx, PS-CXCF-xxxx, CD-CICF-xxxx, CD-CXCF-xxxx

3. **Waste Pipe** — One nom 3 in. (76 mm) or 4 in. (102 mm) diam cast iron pipe to be installed within the firestop device. Pipe to be installed approximately flush with top surface of floor in accordance with firestop device installation instructions and to be rigidly supported on underside of floor assembly.

4. **Toilet Flange** — Cast iron toilet flange with nominal 7 in. (178 mm) diam top ring and with nominal 4 in. (102 mm) OD throat sized to fit both 3 in. (76 mm) and 4 in. (102 mm) diam drain piping. Toilet flange secured inside metallic pipe (Item 3) and secured to top surface of floor with closet bolts.

5. **Water Closet** — Floor mounted vitreous china water closet.

*** Indicates such products shall bear the UL or cUL Certification Mark for jurisdictions employing the UL or cUL Certification (such as Canada), respectively.**

Last Updated on 2016-09-12

[Questions?](#)

[Print this page](#)

[Terms of Use](#)

[Page Top](#)

The appearance of a company's name or product in this database does not in itself assure that products so identified have been manufactured under UL's Follow-Up Service. Only those products bearing the UL Mark should be considered to be Certified and covered under UL's Follow-Up Service. Always look for the Mark on the product.

UL permits the reproduction of the material contained in the Online Certification Directory subject to the following conditions: 1. The Guide Information, Assemblies, Constructions, Designs, Systems, and/or Certifications (files) must be presented in their entirety and in a non-