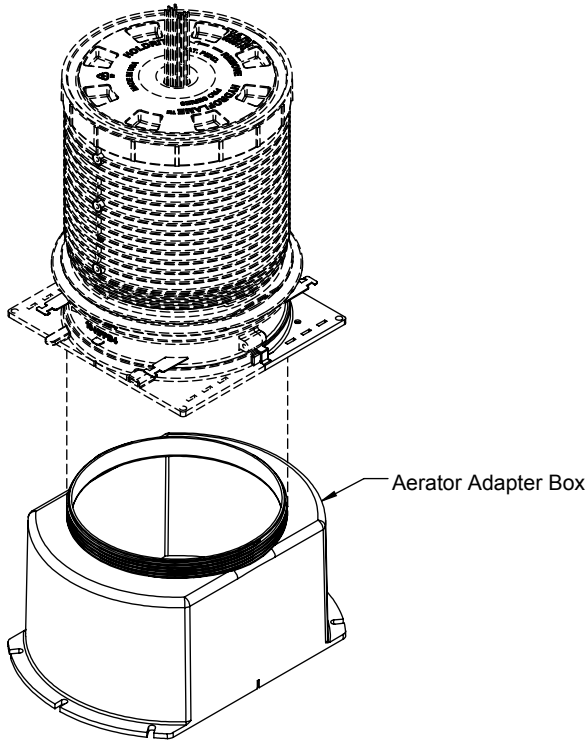
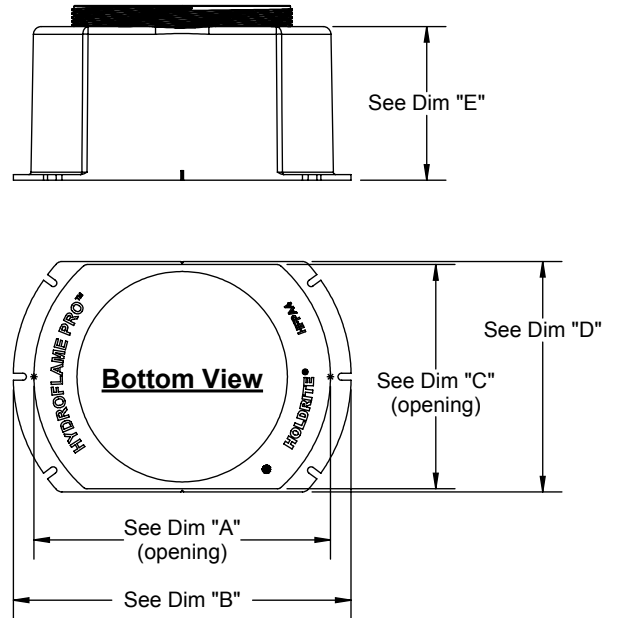


PRODUCT SPECIFICATION DRAWING

Hydroflame Pro Series - Aerator Adapter Box



Shown with 4" Aerator Adapter Box
2", 3" & 4" (6" Different Configuration)



Dimension Chart					
Model #	Dim "A"	Dim "B"	Dim "C"	Dim "D"	Dim "E"
HFPA2	4-3/4"	6-1/8"	3-3/4"	4"	2-5/8"
HFPA3	5-3/4"	6-7/8"	5-3/4"	6"	2-5/8"
HFPA4	7-3/4"	8-3/4"	5-7/8"	6"	4"
HFPA6	9"	10"	9"	10"	3-1/2"

The HOLDRITE® Hydroflame Pro Series "Aerator Adapter Box" is attached to the underside of the Pro Series cast-in-place firestop sleeves and provides an enlarged void usefull for recessed fitting joints in concrete ceilings. UL-Listed accessory when used with HoldRite's Hydroflame Pro Series Sleeves.

Product Information:

- Material:
 - Body (2", 3" & 4"): Polypropylene
 - Body (6" ONLY): 24GA CRS
- See Hydroflame Pro Series Installation Instructions, Best Practices documents and the latest UL Fire Resisive Directory file (R25101) for details.

Product Submittal	
Job Name:	
Date:	
Part Number:	Qty:
Architect / Owner:	
Contractor:	
Notes:	

THIS INFORMATION IS PROPRIETARY TO HOLDRITE AND IS SUBJECT TO CHANGE WITHOUT NOTICE. IT MAY NOT BE REPRODUCED IN PART OR WHOLE WITHOUT WRITTEN AUTHORIZATION.

