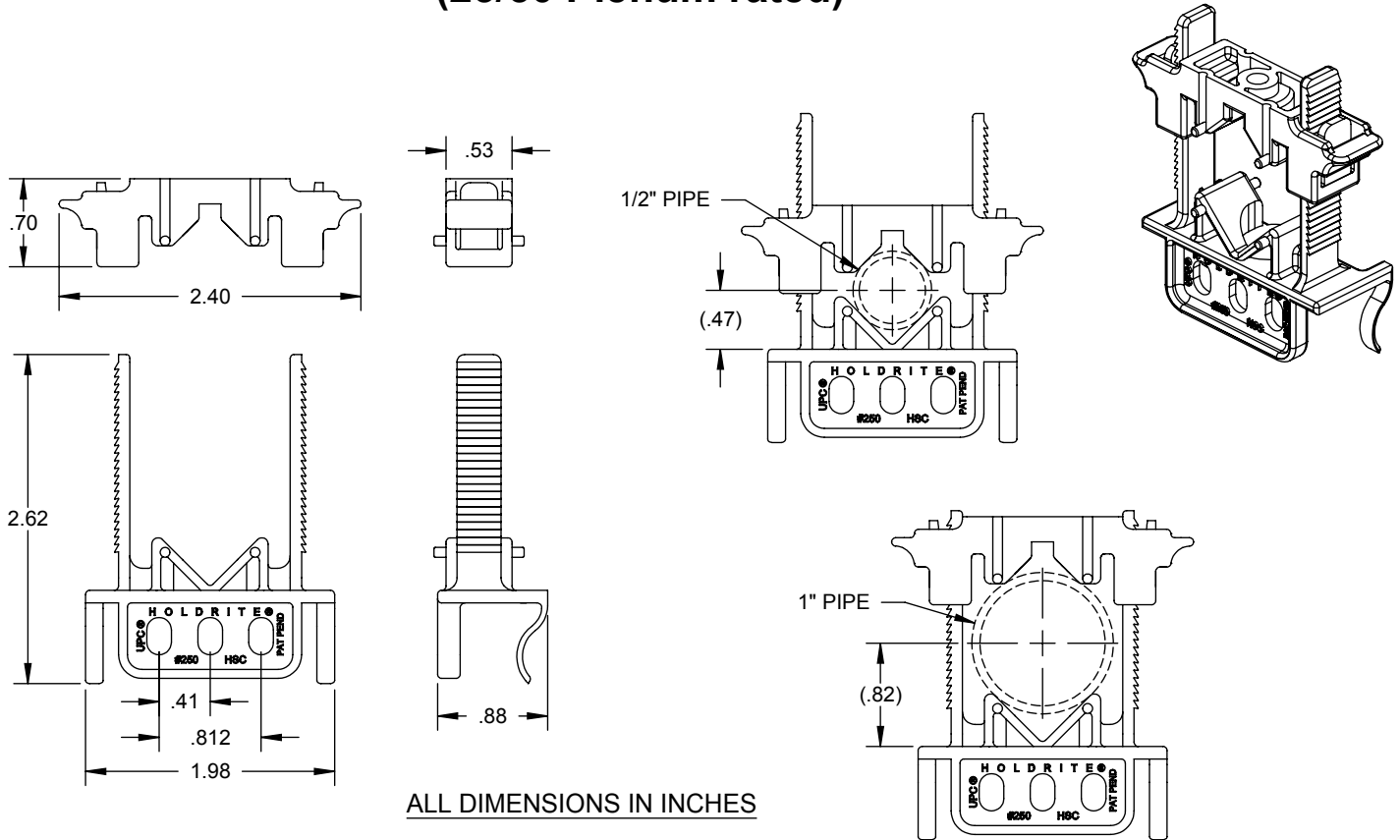


# PRODUCT SPECIFICATION DRAWING

## HOLDRITE® FLAME FIGHTER™ #250-S

### (25/50 Plenum rated)

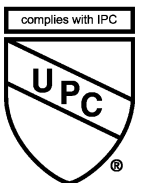


ALL DIMENSIONS IN INCHES

The **HOLDRITE® Flame Fighter™ #250-S** is a flame and smoke rated variable closure clamp compatible with Copper, PEX, CPVC tubing, conduit, etc. Supports up to 1" CTS tubing sizes. Material meets ASTM E-84 25/50 and UL94V-0 fire rating.

### Product Information:

- Material: Kynar Flex, yellow, UL94V-0
- Temperature range: -20°F to +200°F
- Load rating: 25 lbs in suspended mode, 200 lbs maximum in top mount
- Meets ASTM E-84 25/50 and UL94V-0
- UPC / IPC / IAPMO listed



THIS INFORMATION IS PROPRIETARY TO HOLDRITE AND IS SUBJECT TO CHANGE WITHOUT NOTICE. IT MAY NOT BE REPRODUCED IN PART OR WHOLE WITHOUT WRITTEN AUTHORIZATION.

# HOLDRITE®

CONVERTING MAKESHIFT METHODS INTO ENGINEERED SOLUTIONS<sup>SM</sup>  
800-321-0316 OR 760-744-6944 / FAX: 760-744-0507 / WWW.HOLDRITE.COM  
spec\_250-S\_RevH

Product Submittal	
Job Name:	
Date:	
Part Number:	Qty:
Architect / Owner:	
Contractor:	
Notes:	