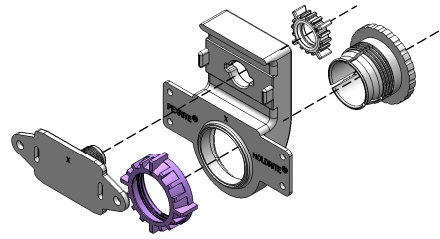
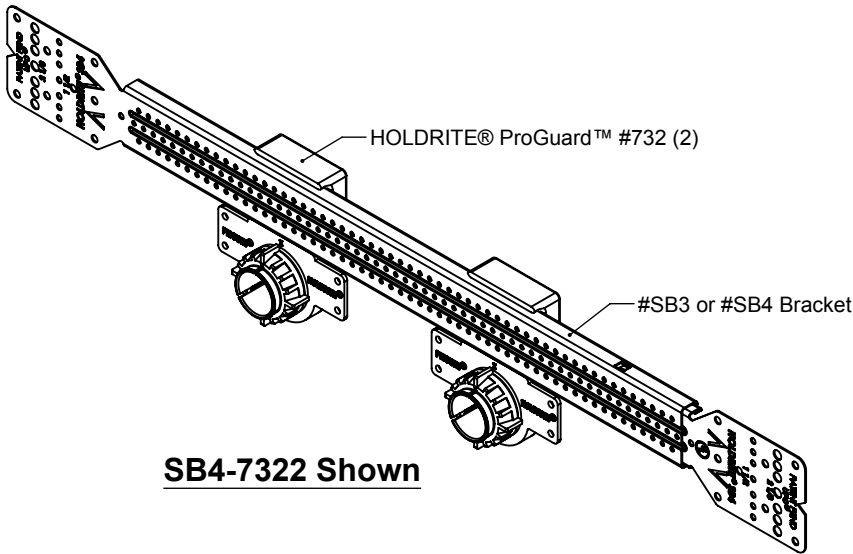


PRODUCT SPECIFICATION DRAWING

HOLDRITE® ProGuard™ #732



HOLDRITE® ProGuard™ #732 "Exploded"



Model	Description
732	732 Assy ONLY
SB3-7321	732 (1) & SB3 (1)
SB3-7322	732 (2) & SB3 (1)
SB4-7321	732 (1) & SB4 (1)
SB4-7322	732 (2) & SB4 (1)

The HOLDRITE® ProGuard™ #732 supports 3/4" PEX Tubing, CPVC, Copper & Copper Bullets. The HOLDRITE® ProGuard™ #732 is for use with #SB3 & #SB4 brackets only.

Product Information:

- Material: PVC, White, UL94V-0
Nylon 6/6, Purple, UL94V-0
- Temperature range: -10°F to +140°F
- Load rating: 25 pounds
- UPC / IAPMO pending



THIS INFORMATION IS PROPRIETARY TO HOLDRITE AND IS SUBJECT TO CHANGE WITHOUT NOTICE. IT MAY NOT BE REPRODUCED IN PART OR WHOLE WITHOUT WRITTEN AUTHORIZATION.



CONVERTING MAKESHIFT METHODS INTO ENGINEERED SOLUTIONSSM

800-321-0316 OR 760-744-6944 / FAX: 760-744-0507 / WWW.HOLDRITE.COM
spec_732_RevD

Product Submittal	
Job Name:	
Date:	
Part Number:	Qty:
Architect / Owner:	
Contractor:	
Notes:	