



# GERBER

## 43-153 Series

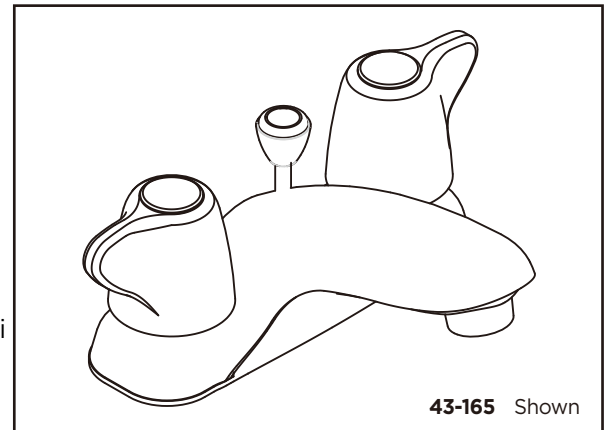
## Maxwell®

# Two Handle Lavatory Faucet



### Features:

- Three hole installation
- Ceramic disc cartridges G0086986 & G0086987
- 4" center to center installation range
- 1.2 gpm (4.5 L/min) maximum aerator GA50096355N @ 60 psi
- Lead free waterway per NSF/ANSI 372
- Fully ADA compliant
- Limited lifetime warranty
- Meets CEC requirements



### Standards & Certifications:

- ASME A112.18.1M
- NSF/ANSI 372
- IAPMO/cUPC
- ICC/ANSI A117.1
- EPA/WaterSense Pending
- MASS Code

### Catalog Numbers:

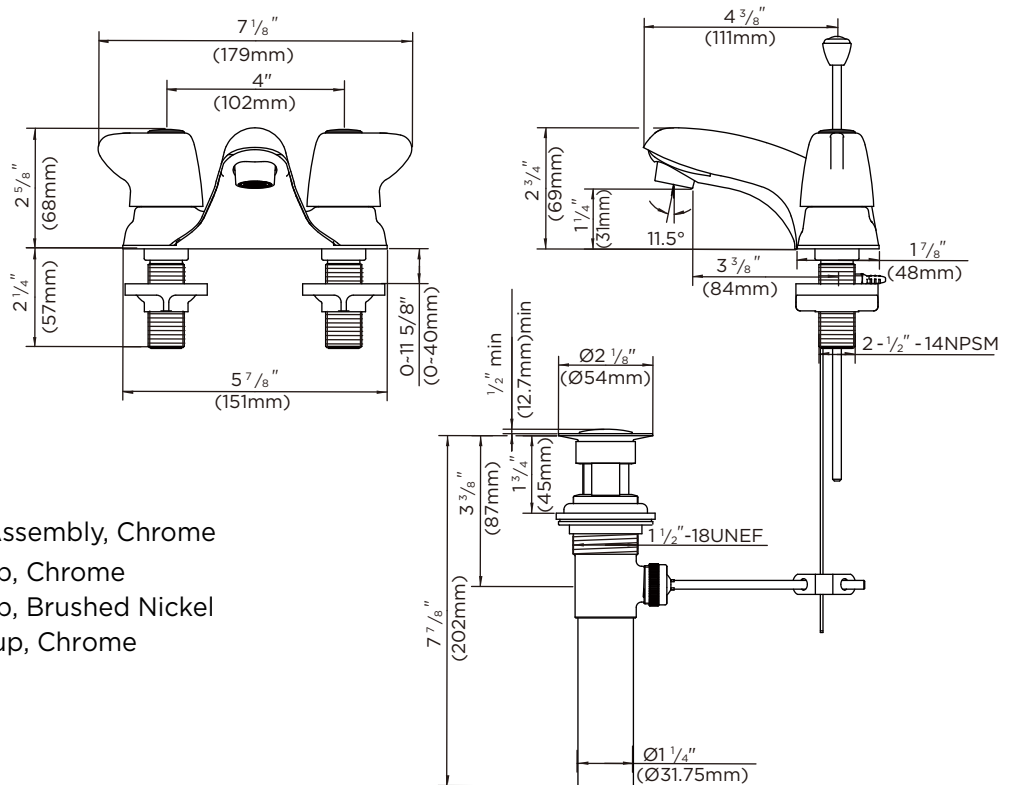
- 43-153** 1.2gpm, Less Drain Assembly, Chrome
- 43-165** 1.2gpm, Brass Pop-up, Chrome
- 43-165-BN** 1.2gpm, Brass Pop-up, Brushed Nickel
- 43-156** 1.2gpm, 50/50 Pop-up, Chrome

### Prefixes Available:

None

### Suffixes Available:

- BN** Brushed Nickel



Job Name	
Date	
Model Specified	
Quantity	
Customer	
Contractor	
Architect/engineer	

Gerber Toll Free Technical Support: 888-648-6466  
 www.gerberonline.com