

**Lemora™ One-Piece Concealed Trapway
1.28 GPF (4.8 LPF)
ErgoHeight™ Elongated Toilet**

Features:

21-021

Included Components:

- Combination 21-021
- Vitreous China
- 12" Rough-In
- 3" flush valve for maximum water force
- Fluidmaster 400A Fill Valve
- Corrosion resistant Fluidmaster flapper
- Extra-Large Dual fed siphon jets for high power bowl
- 100% glazed, 2" trapway
- Double nut, multi-point tank-to-bowl mounting system for tool-free installation
- Chrome, metal tank lever with solid durable brass arm
- Toilet seat included



Technical Information:

Configuration	One-Piece Concealed Trapway ErgoHeight™ Elongated Toilet
Water per Flush	1.28 GPF (4.8 LPF)
Rough-In	12"
Height	30 7/16"
Width	16 1/16"
Depth	28 9/16"
Trapway	2"
Large Water Surface	8 11/16" x 6 5/16"
Shipping Weight	116.4 lbs

Accessories:

- Plastic side cover G0099857
- Toilet Seat GC550126

Other Tank Options: (bowl to be purchased separately)

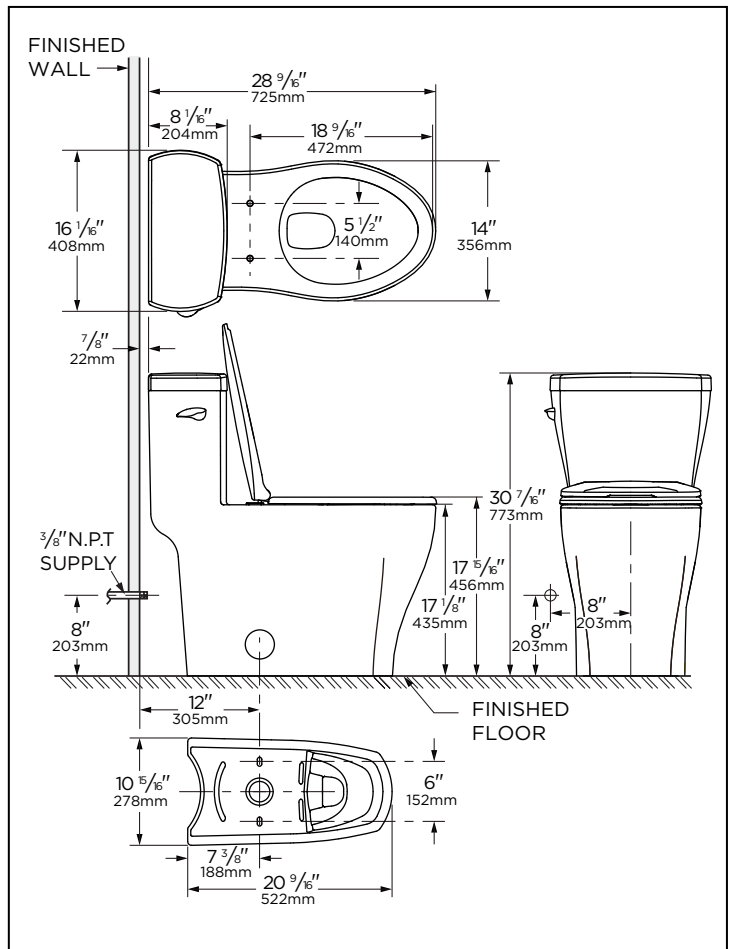
N/A

Available Colors:

- White
- Other: Refer to Price Book for additional

Warranty:

- Limited Lifetime on Vitreous China, refer to the website for more details.



HIGH EFFICIENCY TOILET



NOTES: All dimensions are in inches and millimeters. Illustrations may not be drawn to scale.

IMPORTANT:

Dimensions of fixtures are nominal and may vary within the range of tolerances established by ASME standard A 112.19.2 THIS FIXTURE QUALIFIES ACCORDING TO ASME TEST PROCEDURES AS A HIGH EFFICIENCY WATER CLOSET WITH AN AVERAGE CONSUMPTION OF 1.28gpf (4.8 Lpf) OR LESS.