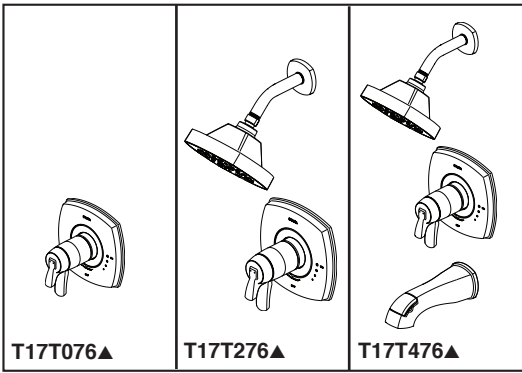




see what Delta can do™ TUB AND SHOWER FAUCET TRIM



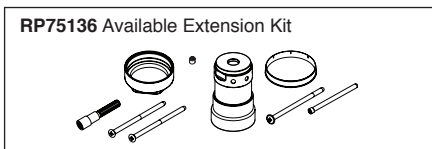
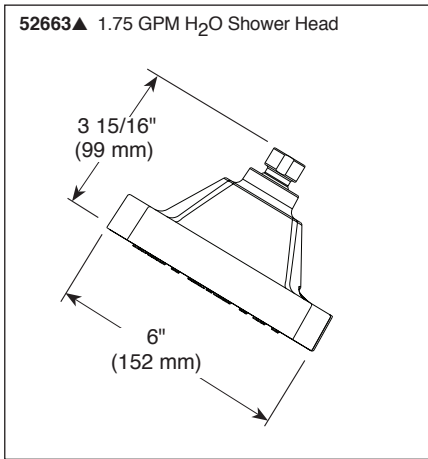
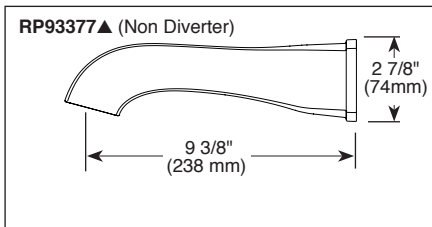
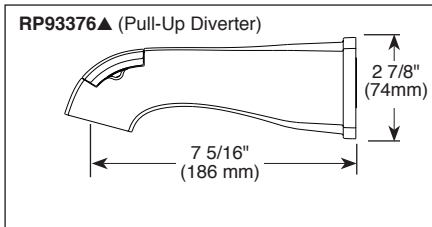
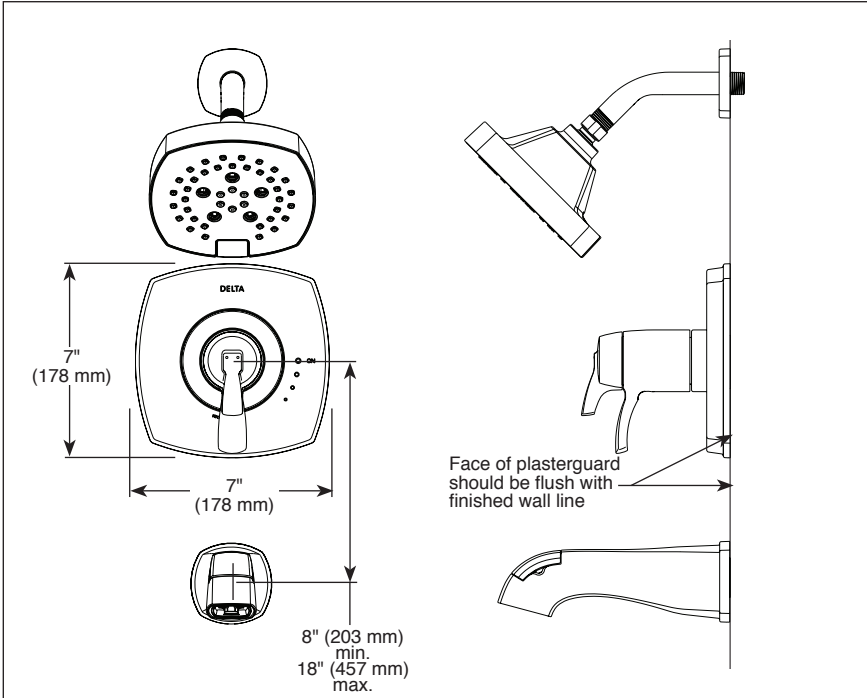
- Stryke™ Bath Collection
- Valve Only (T17T076)
- Shower Only (T17T276)
- Tub/Shower (T17T476)

FEATURES:

- TempAssure® 17T Series thermostatic valve cartridge
- Five-setting H₂Okinetic® Technology shower head
- Lumicoat® Finish (-PR models only)
- Lumicoat® Finishes easily wipe clean without cleaners and chemicals on the products most commonly touched areas.

STANDARD SPECIFICATIONS:

- Thermostatic wax element maintains the outlet temperature to ± 3.6 °F
- For use with MultiChoice® Universal rough valve body (R10000 Series)
- Max. flow rate 1.75 gpm @ 80 psi, 6.6 L/min @ 550 kPa
- Tub port maximum flow rate 8.6 gpm @ 60 psi with R10000-UNBX
- Back-to-back installation capability
- Lever volume control handle; temperature adjustment dial
- Field adjustable to limit handle rotation into hot water zone
- All parts replaceable from the front of the valve
- Red/blue pad print temperature indicators on temperature adjustment dial
- Adjusts for up to 1" wall thickness
- Stem extension kit RP75136 can be ordered to allow for an additional 1 3/4" wall thickness. RP75136 ships with chrome escutcheon screws.
- Shower arm overall horizontal length = 5 1/2" (138 mm), including threaded ends
- For use with threaded 1/2" NPT Iron Pipe, 1/2" CWT Copper Sweat and Slip-On applications



▲ Designate Proper Finish Suffix

WARRANTY

- Parts and Finish - Lifetime limited warranty; or for commercial purchasers, 10 years for multi-family residential (apartments and condominiums) and 5 years for all other commercial uses, in each case from the date the product is received by the original purchaser or their authorized representative (installation contractor, etc.).
- Electronic Parts and Batteries (if applicable) - 5 years from the date the product is received by the original purchaser or their authorized representative (installation contractor, etc.); or for commercial purchasers, 1 year from the date the product is received by the original purchaser or their authorized representative (installation contractor, etc.). No warranty is provided on batteries.



COMPLIES WITH:

- ASME A112.18.1 / CSA B125.1
- ASSE 1016 / ASME A112.1016 / CSA B125.16
- Indicates compliance to ICC/ANSI A117.1 - Valve control only
- EPA WaterSense® - Applies to T17T276, T17T476, and 52663 only

Delta Faucet Company

55 E. 111th Street, Carmel, Indiana 46280
350 South Edgeware Road, St. Thomas, ON N5P 4L1
© 2023 Delta Faucet Company

Delta reserves the right (1) to make changes in specifications and materials, and (2) to change or discontinue models, both without notice or obligation. Dimensions are for reference only. See current full-line price book or www.deltafaucet.com for finish options and product availability.

DSP-B-T17T076 Rev. E